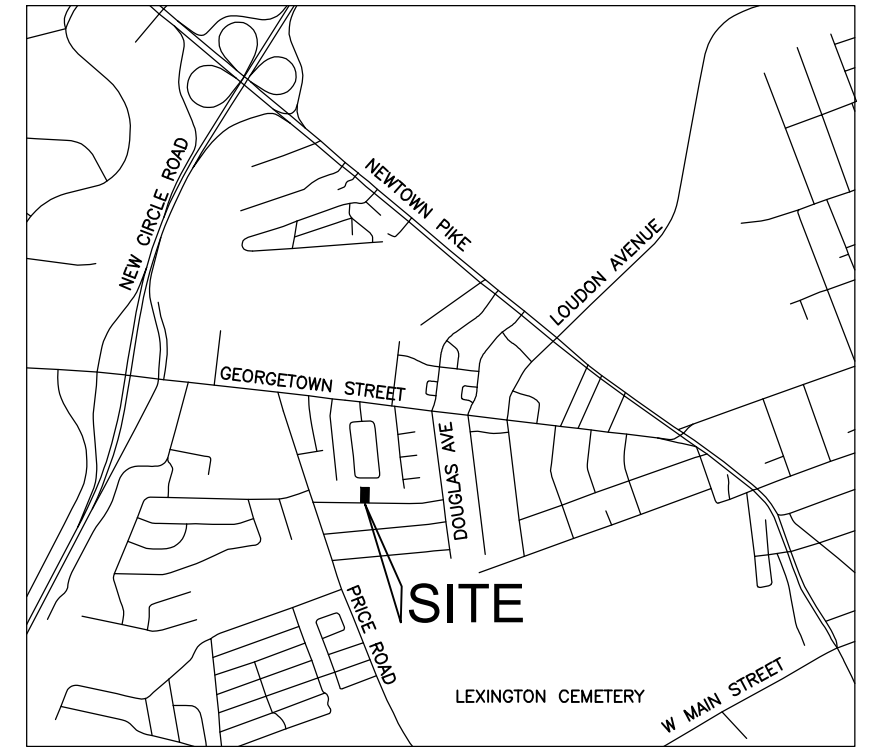
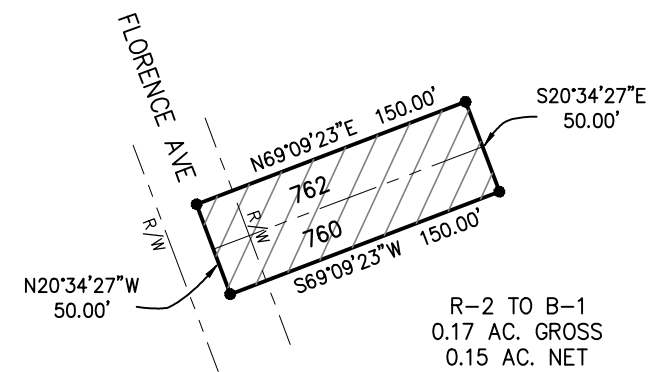


AREA NOTIFICATION MAP
1"=200'



VICINITY MAP



PROPERTY MAP
1"=100'

ZOMAR				
TITLE: PLN-MAR-23-00019	FROM	TO	GROSS	NET
PROPERTY ADDRESS: 760 & 762 FLORENCE AVENUE	R-2	B-1	0.17 AC.	0.15 AC.
OWNER: SASSAFRAS OZ, LLC 1904 DEAUVILLE DRIVE LEXINGTON, KY 40504	<div style="border: 1px solid black; padding: 5px; text-align: center;"> <p>STATE OF KENTUCKY</p> <p>WESLEY B. WITT 2187</p> <p>LICENSED PROFESSIONAL LAND SURVEYOR</p> </div>			
APPLICANT: BLACK SOIL: OUR BETTER NATURE, LLC 107 W LOUDON AVENUE, SUITE 101 LEXINGTON, KY 40508				
PREPARED BY: WESLEY B WITT, INC. DATE PREPARED: OCTOBER 2, 2023				