

LEXINGTON-FAYETTE URBAN COUNTY GOVERNMENT CONTRACT CHANGE ORDER Page 1 of 2	Date:	May 29, 2015	
	Project:	Stone Arch Repair	
	Location:	Dunbar Community Ctr	
To (Contractor): ABC Construction	Contract No.	97-2015	
	Original Contract Amt.	\$39,400.00	
	Cumulative Amount of Previous Change Orders	\$0.00	
	Percent Change - Previous Change Orders		0.00%
	Total Contract Amount Prior to this Change Order	\$39,400.00	
	Change Order No.	1	

You are hereby requested to comply with the following changes from the contract plans and specification;

Current Change Order

Item No.	Description of changes-quantities, unit prices, change in completion date, etc.	Decrease in contract price	Increase in contract price	
1	Construct CMU support wall for brick facia and archway		\$25,276.00	
	Total decrease	\$0.00		
	Total increase		\$25,276.00	
	Net Amount of this Change Order	\$25,276.00		
	New Contract Amount Including this Change Order	\$64,676.00		
	Percent Change - This Change Order			39.08%
	Percent Change - All Change Orders			64.15%

The time provided for the completion in the contract and all provisions of the contract will apply hereto.

Recommended by [Signature] (Proj. Engr.) Date _____
Accepted by [Signature] (Contractor) Date May 29, 2015
Approved by [Signature] (Director) Date _____
Approved by [Signature] (Commissioner) Date _____
Approved by [Signature] (Mayor or CAO) Date 6/24/15

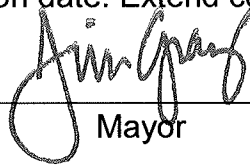
JUSTIFICATION FOR CHANGE

PROJECT: Stone Arch Repair

CONTRACT NO. 97-2015

CHANGE ORDER: 1

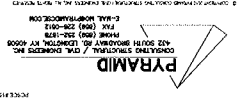
1. Necessity for change: Once the exterior brick facia was removed, it was found that original construction did not include a needed CMU supporting wall.
2. Is proposed change an alternate bid? ___Yes XNo
3. Will proposed change alter the physical size of the project? ___Yes XNo
If "Yes", explain.
4. Effect of this change on other prime contractors: N/A
5. Has consent of surety been obtained? ___Yes XNot Necessary
6. Will this change affect expiration or extent of insurance coverage? ___Yes XNo
If "Yes", will the policies be extended? ___Yes ___No
7. Effect on operation and maintenance costs: N/A
8. Effect on contract completion date: Extend completion date by 1 to 2 weeks.



Mayor6/24/15

Date

DUNBAR STONE ARCH REPAIR

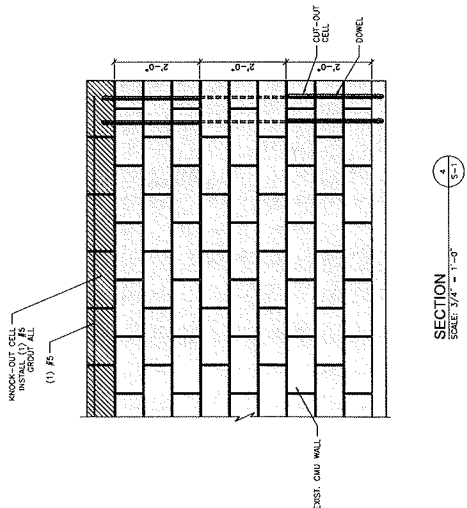
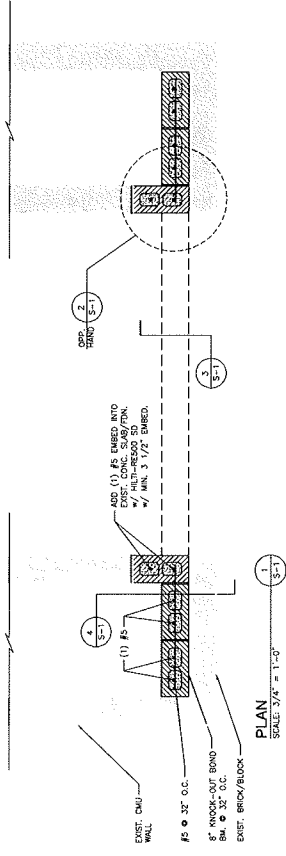
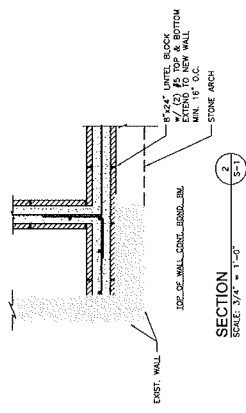
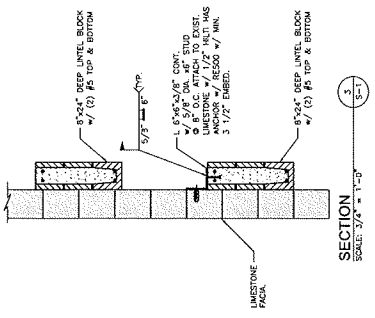


Issue Date: 05.11.2019
 Drawn By: ST
 Checked By: WKS
 Project No: 19-008

Sheet Title: _____
 Title: _____
 Date: _____
 Scale: _____

Plans
 Sections
 Details

Sheet Number: **S-1**
 Project Number: 19-008



GENERAL STRUCTURAL NOTES

- A. CONTRACTOR NOTES
1. THE CONTRACT DRAWINGS REPRESENT THE DESIGNED RESULT OF CONSTRUCTION. THE METHODS OF CONSTRUCTION AND THE RISKS INVOLVED DURING CONSTRUCTION SHALL BE THE RESPONSIBILITY OF THE CONTRACTOR. THE CONTRACTOR SHALL MAINTAIN THE STRUCTURAL INTEGRITY OF THE BUILDING AT ALL STAGES OF CONSTRUCTION.
 2. THE CONTRACTOR SHALL VERIFY ALL DIMENSIONS & ELEVATIONS PRIOR TO CONSTRUCTION AND SHALL REPORT ANY DISCREPANCIES TO THE ARCHITECT IMMEDIATELY UPON DISCOVERY.
 3. THE CONTRACTOR'S PROPOSED SUBSTITUTIONS SHALL BE APPROVED BY THE ARCHITECT/ENGINEER PRIOR TO COMMENCING ANY PERTINENT WORK.
 4. THE CONTRACTOR & ALL SUBCONTRACTORS SHALL COORDINATE ALL DRAWINGS DURING BIDDING & SHALL REPORT ANY DISCREPANCIES, IF DISCREPANCIES ARE FOUND DURING CONSTRUCTION THE CONTRACTOR SHALL BE RESPONSIBLE FOR PROVIDING ALL NECESSARY MEANS (MATERIAL, EQUIPMENT & LABOR) TO RESOLVE THE DISCREPANCIES.
- B. FOUNDATION, FILLING AND EXCAVATION (ASSUMED)
1. THE ASSUMED SOIL BEARING CAPACITY = 5,000 P.S.F.
 2. THE SOIL BEARING PRESSURE HAS BEEN ASSUMED BY THE ENGINEER OF RECORD (E.R.) THE ACTUAL SOIL BEARING PRESSURE AND SOIL COMPACTION REQUIREMENTS SHALL BE VERIFIED PRIOR TO BEGINNING ANY WORK. THE E.R. IS NOT RESPONSIBLE FOR ANY PROBLEMS THAT OCCUR BECAUSE OF THESE ASSUMPTIONS.
- C. MASONRY
1. ALL BLOCKS SHALL BE 2-CELL BLOCK MADE OF LIGHT WEIGHT AGGREGATE AND SHALL BE LOAD BEARING TYPE WITH COMPRESSIVE STRENGTH OF NOT LESS THAN 1,500 P.S.I. (MIN. 2,000 P.S.I. FOR TYPE N). ALL BLOCKS SHALL BE CONFORM TO THE REQUIREMENTS OF ASTM C90, GRADE N, TYPE 1.
 2. ALL MORTAR FOR UNIT MASONRY SHALL COMPLY WITH THE REQUIREMENTS OF ASTM C270, TYPE M.
 3. HORIZONTAL WIRE REINFORCING SHALL BE 3 GAUGE CONT. LADDER TYPE UNITS COMPLYING WITH ASTM A-82 AND SPACED AT 8" O.C. IN WALLS ABOVE 12'-0" IN HEIGHT AND SPACED AT 16" O.C. IN ALL OTHER APPLICATIONS. ONE ADDITIONAL BAR AT EACH END OF WALL AND WHERE ADDITIONAL REINFORCING IS INDICATED.
 4. ALL VERTICAL REINFORCING SHALL BE 3 GAUGE CONT. LADDER TYPE UNITS COMPLYING WITH ASTM A-82 AND SPACED AT 8" O.C. IN WALLS ABOVE 12'-0" IN HEIGHT AND SPACED AT 16" O.C. IN ALL OTHER APPLICATIONS.
 5. SPLICES IN CONTINUOUS VERTICAL OR HORIZONTAL REINFORCING BARS SHALL BE PER AC308 OR (40) BAR DIAMETERS, WHICHEVER HAS A GREATER LAP.
 6. FILL CELLS OF BLOCK AT VERTICAL REINFORCING AND WHERE INDICATED WITH 3/8" MAX. LARGE AGGREGATE CONCRETE WITH A MINIMUM COMPRESSIVE STRENGTH OF 2,500 P.S.I. AT 28 DAYS COMPLYING WITH ASTM C119.

GILPIN MASONRY

Gilpin Masonry Construction Company, Inc.
100 Sea Otter Circle
Midway, KY 40347

gilpinmasonry.com
Phone/Fax: 502-863-2940
Cell: 859-621-6416
emanuel@gilpinmasonry.com

May 15, 2015

Lexington Fayette Urban County Government
200 East Main Street
Attention: Chris Cooperrider
Lexington, Kentucky

Fitzsimmons Office of Architecture
112 West Third Street
Lexington, Kentucky 40507

Re: Request for Change Order #1 at Dunbar Community Center
Purchase Order #LF00124588

This change order is being submitted to correct concealed conditions discovered at the Dunbar Stone Archway Renovation. All work in this change order is based on the original plans and specifications of Fitzsimmons Office of Architecture and the drawings submitted by Pyramid Consulting Structural / Civil Engineers Sheet S-1.

This Change Order will be for installing two new footers at the inside base of the wall, building a new wall from these footers close to the full height of the wall. It will also raise the two existing block walls upward near the roof of the structure. These walls will be reinforced with concrete and steel as specified. A new angle iron will be installed behind and above the stone arch with epoxy anchors tying the new wall and stone together. This work will require the existing ceiling to be removed and replaced.

This additional work will be done for the sum of \$25,276.00

Proposed by: Gilpin Masonry Construction Company, Inc.

Name:


Emanuel T. Gilpin II President

Date:

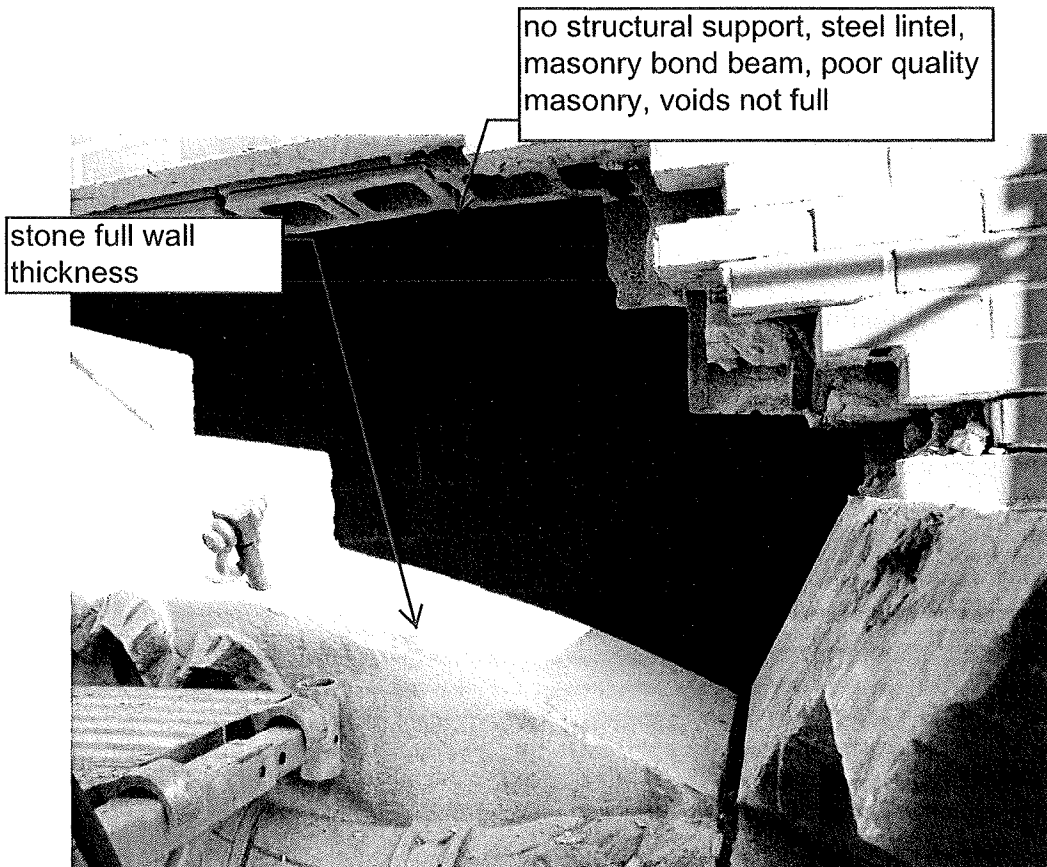
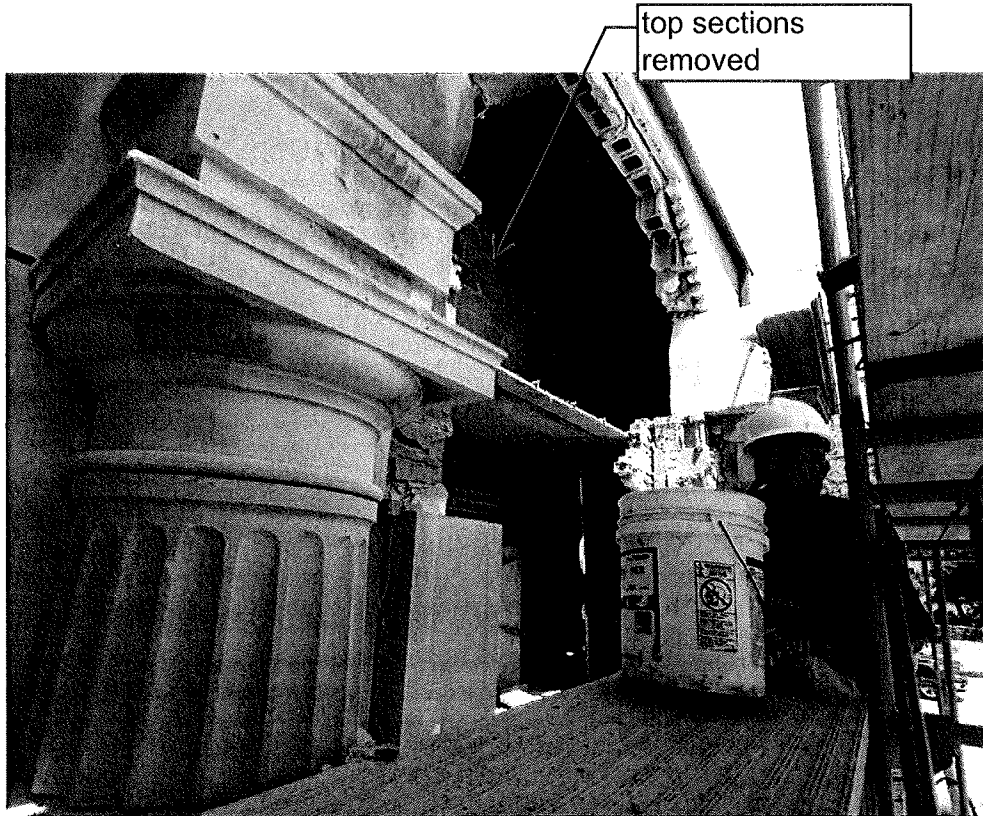
May 15, 2015

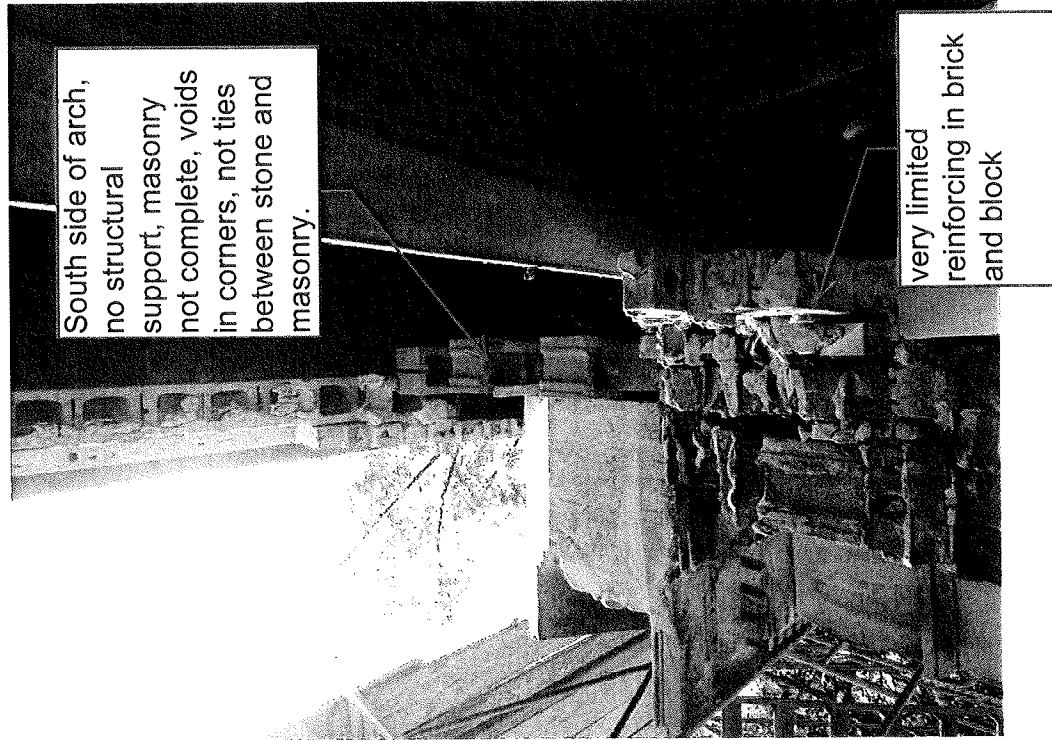
God Bless America



General view during construction. 5/8/15

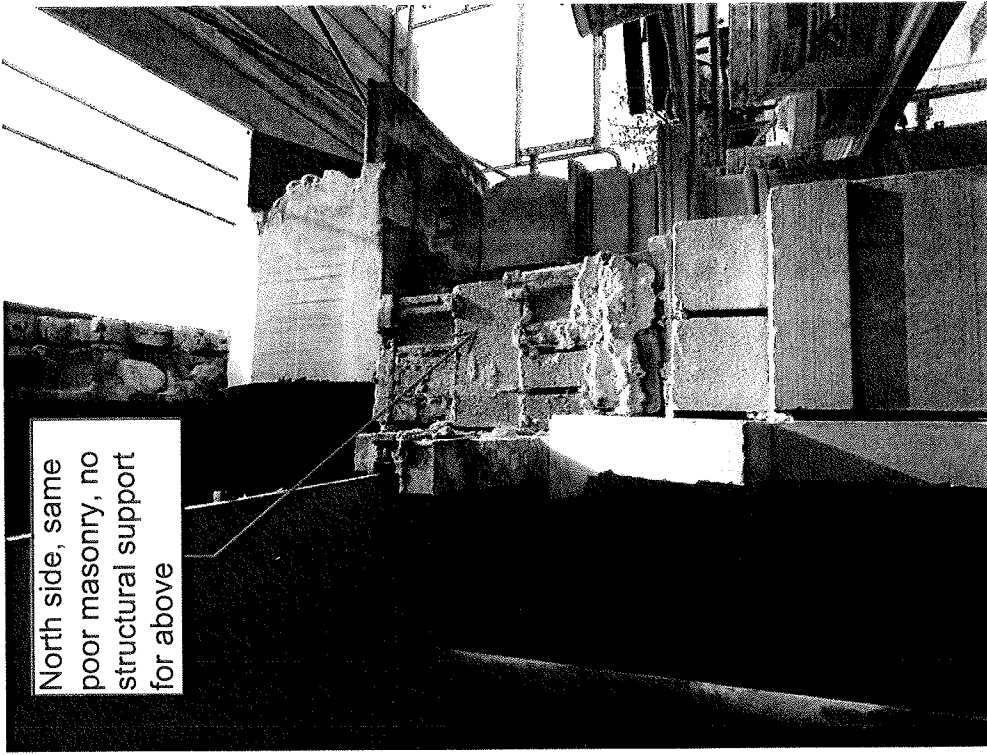






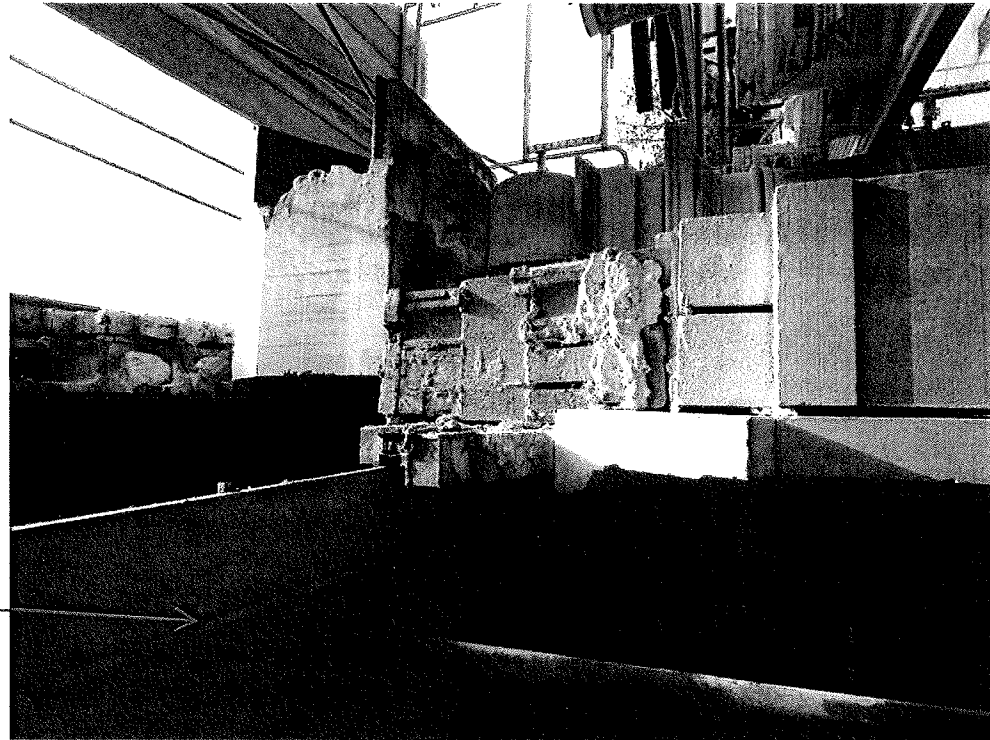
South side of arch, no structural support, masonry not complete, voids in corners, not ties between stone and masonry.

very limited reinforcing in brick and block

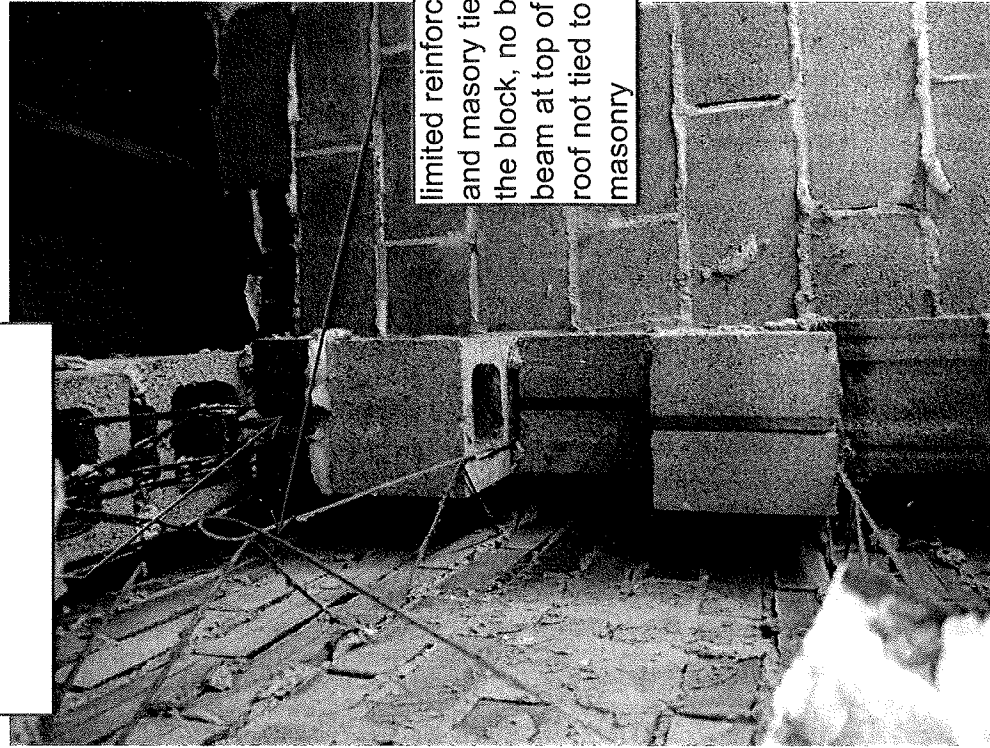


North side, same poor masonry, no structural support for above

plaster ceiling
suspended from
above



poor quality masonry infill,
not complete backup wall,
voids in the block



limited reinforcing
and masonry ties to
the block, no bond
beam at top of wall,
roof not tied to
masonry