

"I DO HEREBY CERTIFY THAT THE DRAWING DEPICTED BY THIS EXHIBIT WAS DONE BY ME AND/OR PERSONS UNDER MY DIRECT SUPERVISION AND IS INTENDED TO SHOW THE LIMITS OF A PROPOSED GAS PIPELINE EASEMENT RELATIVE TO A BOUNDARY DEFINED BY OTHERS AND DOES NOT MEET THE MINIMUM STANDARDS OF 201 KAR 18:150 FOR A BOUNDARY SURVEY IN KENTUCKY."

JK
 JEFFERY K. PENDLETON (PLS 3517) DATE 8/31/2017
 PO BOX 681
 MT. STERLING, KY 40353

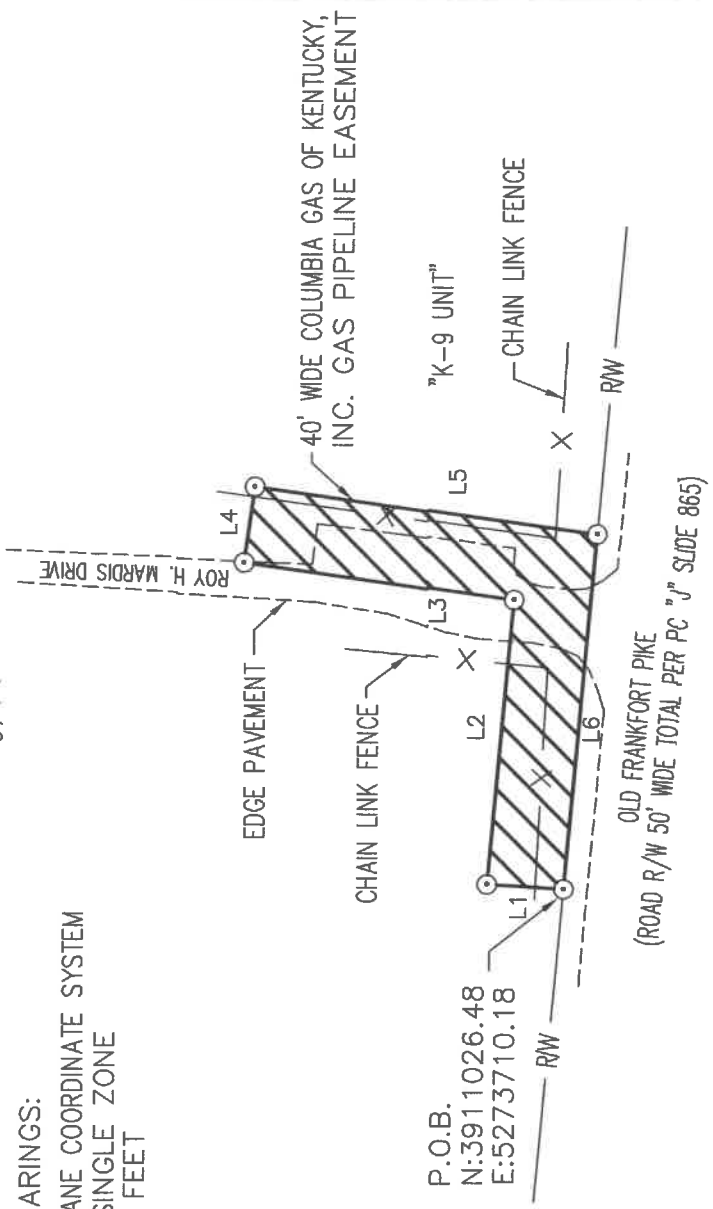
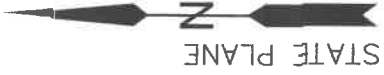


BASIS OF BEARINGS:

PER STATE PLANE COORDINATE SYSTEM
 KENTUCKY SINGLE ZONE
 NAD 83/US FEET

LEGEND

- RW — ROAD RIGHT OF WAY
- POINT ON EASEMENT
- ▨ 40' WIDE COLUMBIA GAS OF KENTUCKY, INC. GAS PIPELINE EASEMENT



P.O.B.
 N:3911026.48
 E:5273710.18

LINE TABLE FOR A 40' WIDE COLUMBIA GAS OF KENTUCKY, INC. GAS PIPELINE EASEMENT

LINE	BEARING	DISTANCE
L1	N 03°26'52" E	40.02'
L2	S 84°50'48" E	148.99'
L3	N 07°51'31" E	142.17'
L4	S 82°08'29" E	40.00'
L5	S 07°51'31" W	180.33'
L6	N 84°50'48" W	185.96'

"THIS DRAWING DOES NOT REPRESENT A BOUNDARY SURVEY AND IS NOT INTENDED FOR LAND TRANSFER"



Columbia Gas of Kentucky
 A NiSource Company

COMPANY		COLUMBIA GAS OF KENTUCKY, INC.	
PROJECT		GAS PIPELINE EASEMENT ON THE PROPERTY OF: LEXINGTON-FAYETTE URBAN COUNTY GOVERNMENT DEED BOOK 581 PAGE 9	
DATE	CONSULTANT	FIELD BK.	PG.
8/31/2017	THE FISHEL COMPANY		
SCALE	TECHNICIAN	MAPS	
1" = 100'	JP	6716212F	
JOB ORDER	16-0266815-00	TAX DISTRICT	0674805/LEXINGTON
COUNTY	FAYETTE	STATE	KENTUCKY
REVISIONS	EXHIBIT "A"		