

LEXINGTON-FAYETTE URBAN COUNTY GOVERNMENT CONTRACT CHANGE ORDER Page 1 of 2		Date:	January 12, 2017
		Project:	Fire Station #2 Replacement
		Location:	Lexington
To (Contractor): Olympic Construction, LLC 216 Bromme Drive Nicholasville, KY 40356	Contract No.	013-2016	
	Original Contract Amt.	\$4,618,900.00	
	Cumulative Amount of Previous Change Orders	\$11,907.20	
	Percent Change - Previous Change Orders	0.26%	
	Total Contract Amount Prior to this Change Order	\$4,630,807.20	
	Change Order No.	6	
	You are hereby requested to comply with the following changes from the contract plans and specification;		
Current Change Order			
Item No	Description of changes-quantities, unit prices, change in completion date, etc.	Decrease in contract price	Increase in contract price
1	Coping substitution credit per RFI #14	\$2,500.00	
2	Storm sewer crossing - unforeseen conditions		\$8,644.68
3	Credit for mid-term roof inspection per PR 08	\$250.00	
	Total decrease	\$2,750.00	
	Total increase		\$8,644.68
	Net Amount of this Change Order	\$5,894.68	
	New Contract Amount Including this Change Order	\$4,636,701.88	
	Percent Change - This Change Order		0.13%
	Percent Change - All Change Orders		0.39%
The time provided for the completion in the contract and all provisions of the contract will apply hereto.			
Recommended by	<i>Joyce Thomas</i>	(Project Manager)	Date 1/12/17
Accepted by	<i>[Signature]</i>	(Contractor)	Date 1/2/17
Approved by	<i>[Signature]</i>	(Director)	Date 1-12-17
Approved by	<i>[Signature]</i>	(Commissioner)	Date 1/12/17
Approved by	<i>[Signature]</i>	(Mayor or CAO)	Date 1/13/17

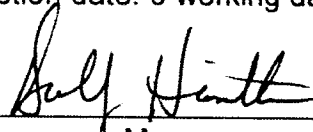
JUSTIFICATION FOR CHANGE

PROJECT: Fire Station #2 Replacement

CONTRACT NO. 013-2016

CHANGE ORDER NO. 6

1. Necessity for change: Contractor made a recommendation for a better roof edge construction which maintains original warranty, unforeseen conditions were encountered when completing the storm sewer crossing, and roofing manufacturer never performed a mid-term roof inspection as required by the specification making a credit to the contract appropriate.
2. Is proposed change an alternate bid? ___ Yes X No
3. Will proposed change alter the physical size of the project? ___ Yes X No
If "Yes", explain.
4. Effect of this change on other prime contractors: N/A
5. Has consent of surety been obtained? ___ Yes X Not Necessary
6. Will this change affect expiration or extent of insurance coverage? ___ Yes X No
If "Yes", will the policies be extended? ___ Yes ___ No
7. Effect on operation and maintenance costs: Roof edge detail will improve longevity of construction.
8. Effect on contract completion date: 0 working days



Mayor

1/13/17
Date



120 MacArthur Court
Nicholasville, KY 40356

Office 859-533-5723 Fax 859-881-1295
victor@olympiconstruction.com

Change Order

RFI #14 Coping Substitution Credit

Credit for Removing Coping:

Labor: 2 men – 55 hrs. each x \$50 an hour	-\$5,500.00
Materials: 440 LF of Coping	-\$5,500.00

Pricing for Adding Gravel Stop:

Labor: 2 men – 44 hrs. each x \$60 an hour	\$5,280.00
Materials: 440 LF of Gravel Stop	\$2,200.00
440 LF of Tape	\$1,020.00

Total **-\$2,500.00**

Contractor: Olympic Construction Representative: Victor Kunitsa

Signature: Victor Kunitsa Date: 11/21/2016

Olympic Construction, LLC

LETTER OF TRANSMITTAL

Fax: (859) 881-1295

dennis@olympicconstruction.com

DATE	26-Oct-16	JOB NO.	13117
ATTENTION			
RE:	Replacement Fire Station No. 2		
	1276 Eastland Drive		
	Lexington, KY 40505		

TO Brandstetter Carroll

WE ARE SENDING YOU Attached Under separate cover via _____ the following items:

- Shop drawings
 Prints
 Plans
 Samples
 Specifications
 Copy of letter
 Change order

THESE ARE TRANSMITTED as checked below:

- For approval
 Approved as submitted
 Resubmit _____ copies for approval
 For your use
 Approved as noted
 Submit _____ copies for distribution
 As requested
 Returned for corrections
 Return _____ corrected prints
 For review and comment
 See attached submittal for comments and status.

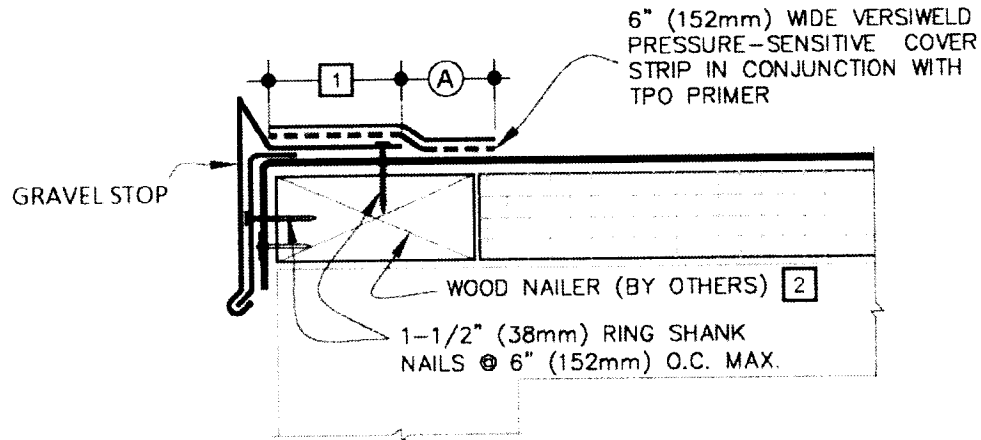
 FOR BIDS DUE _____
 PRINTS RETURNED AFTER LOAN TO US

REMARKS Lex Fire RFI #14 - Gravel Stop Parapet Detail

SIGNED Dennis Kunitsa

CAUTION

DETAIL NOT FOR USE ON 25 OR 30-YEAR WARRANTY PROJECTS. ACCEPTABLE EDGING SHALL CONFORM WITH THERMOPLASTIC COMMON DETAILS TPC-1.2, 1.3, 1.4, 1.5 OR 1.6.

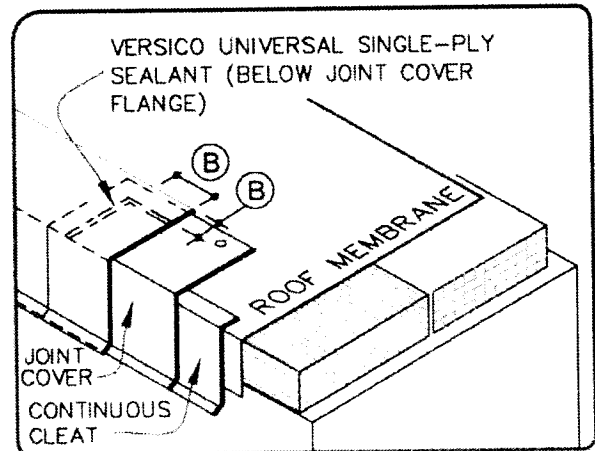


TPO ONLY
(NOT FOR PVC)

NOTES:

- METAL FASCIA DECK FLANGE MUST BE TOTALLY COVERED BY TPO PRESSURE-SENSITIVE COVER STRIP WITH MINIMUM 2" (51mm) COVERAGE PAST NAIL HEADS.
- WOOD NAILER MUST EXTEND PAST TOTAL WIDTH OF METAL FASCIA DECK FLANGE.
- TO REMOVE FINISHING OILS, SCRUB METAL FLANGE WITH WEATHERED MEMBRANE CLEANER; ALLOW TO DRY PRIOR TO APPLYING PRIMER.
- APPLY TPO PRIMER TO METAL FLANGE AND MEMBRANE SURFACE PRIOR TO INSTALLING TPO PRESSURE-SENSITIVE COVER STRIP.
- WHEN METAL FASCIA BY OTHERS IS USED, FASTENER TYPE AND FASTENING FREQUENCY SHALL BE RECOMMENDED BY METAL EDGE MANUFACTURER.
- TO ENSURE TPO PRESSURE-SENSITIVE COVER STRIP CONFORMS TO STEP-OFFS, HEAT COVER STRIP AT SPLICE INTERSECTIONS PRIOR TO ROLLING.

DIMENSIONS	mm	
(A) 2"	51	MIN.
(B) 1/2"	13	TO
1"	25	



VERSITRIM DRIP EDGE FASCIA

- TPO MEMBRANE
- APPROVED SUBSTRATE
- SEE NOTE(S)

THERMOPLASTIC ROOFING SYSTEM

TPC-1.1



BUILDING VALUE

November 30, 2016

Attn: Joyce Thomas
LFUCG
200 East Main Street,
Lexington, KY 40507

**RE: Lexington Replacement Fire Station #2
Lexington, KY**

Dear Joyce Thomas,

This letter is in regards to the roof edge termination on top of a parapet wall. It is acceptable to use a metal coping or a metal edge/drip edge on top of a parapet wall that is 31" wide for our standard 20-Yr Total System Warranty.

If you have questions or need additional info, please contact me at 800-453-2554.

Sincerely,

A handwritten signature in black ink that reads "Robin Levens".

Robin Levens
Sr. Design Analyst
Project Review & Design Services



120 MacArthur Court
Nicholasville, KY 40356

Office 859-533-5723 Fax 859-881-1295
victor@olympiconstruction.com

Lexington Fire Station No. 2 Change Order #10 Storm Sewer Crossing

Olympic Construction is requesting a claim do to unforeseen conditions that Olympic encountered during the Storm Sewer Crossing on Eastland and Murray Dr.

Relocate 4 service water lines:

- | | |
|--|----------|
| 1) Service Line 1 | |
| • 4 hours of excavator w/operator @ 185 per hour | \$740 |
| • 1 Laborer 4 hours @ \$45 per hour | \$180 |
| • Plumber 5 hours @ \$85 per hour | \$425 |
| • Materials: 50 ft of ¾" copper pipe x \$3.14 lf = \$157
and 2 shutoff valves x \$34.25 = \$68.50 | \$225.50 |
| 2) Service Line 2,3, and 4 | |
| • 4 hours of excavator w/operator @ \$185 per hour | \$740 |
| • 1 laborer 4 hours @ \$45 hour | \$180 |
| • 2 plumbers 5 hours each @ \$85 per hour | \$850 |
| • Materials: 45' of pipe x \$3.14 = \$141.30
4 shutoff valves x \$34.25 = \$137 | \$278.30 |
| 3) Remove abandoned water vault which was in the way of the storm sewer line | |
| • 2 hours of excavator with hoe ram and operator @ \$225 per hour | \$450 |

- 4) 20 ft of curb and gutter
 - 2 yards of concrete x \$105 per yard \$210
 - 2 men 4 hours to form, pour and finish concrete @ \$45 per hour \$360

- 5) Cut and patch extra asphalt 20' x 5'
 - Materials 100 sf x \$1 sf \$100
 - 2 men 3 hours @ \$45 per hour \$270

- 6) 1 extra week of rental for 19 steel plates x \$150 per plate \$2,850

Total	\$7,858.80
10% Overhead and Profit	\$785.88
Grand Total	\$8,644.68

Contractor: Olympic Construction Representative: Dennis Kunitsa
 Signature: Dennis Kunitsa Date: 12/09/2016



120 MacArthur Court
Nicholasville, KY 40356

Office 859-533-5723 Fax 859-881-1295
victor@olympiconstruction.com

Lexington Fire Station No. 2 Change Order Proposal Request 8

Credit Pricing to City for the mid-term roof inspection that was to occur per specification section 75423, section 1.5 Quality Assurance, Item B

-\$250.00

Total

-\$250.00

Contractor: Olympic Construction Representative: Victor Kunitsa
Signature: Victor Kunitsa Date: 01/10/2017