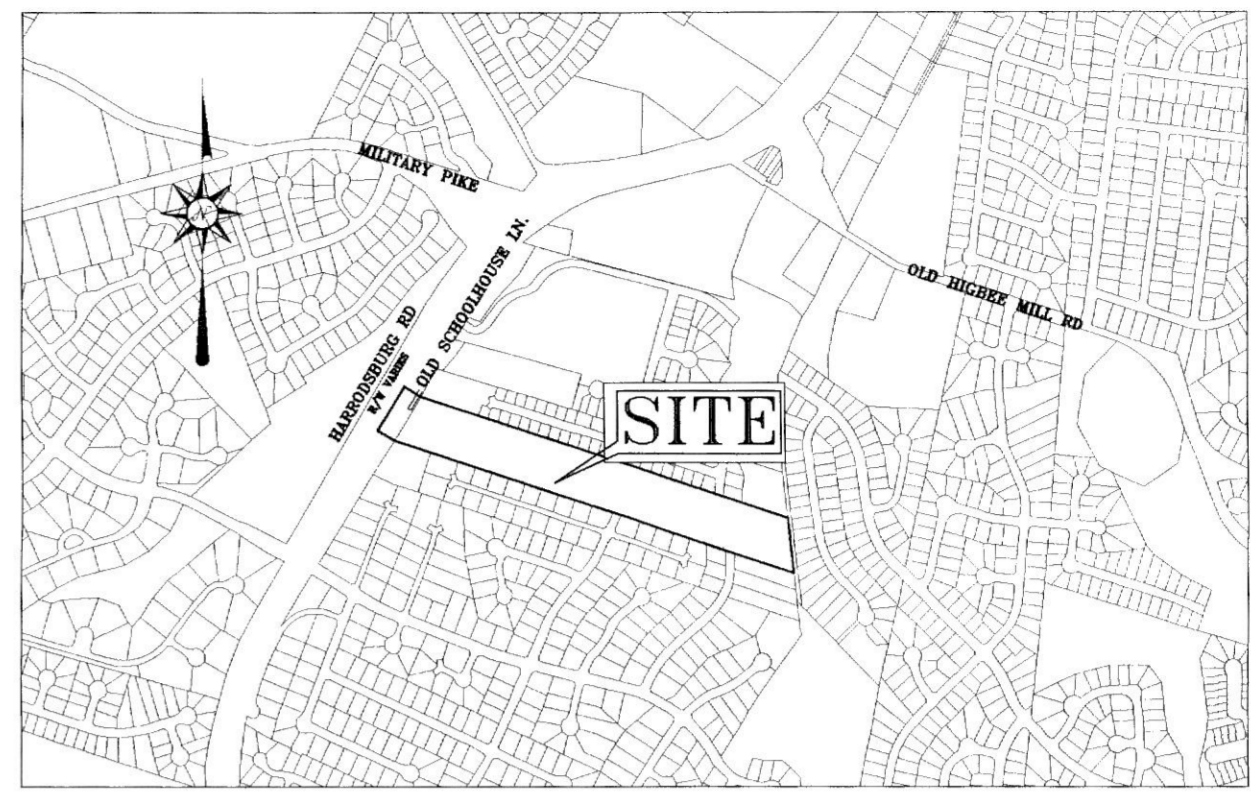
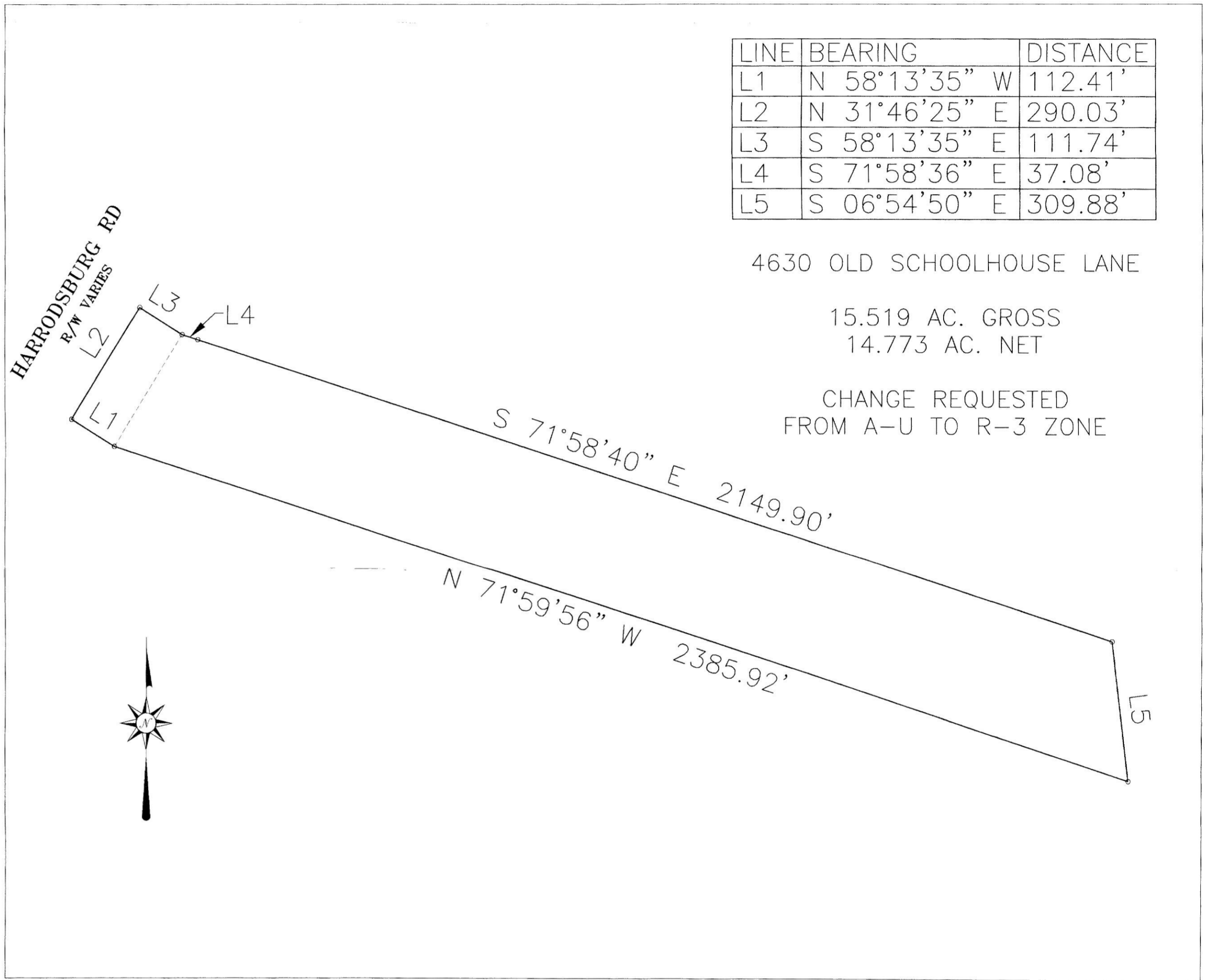


NOTIFICATION MAP
SCALE: 1" = 200'



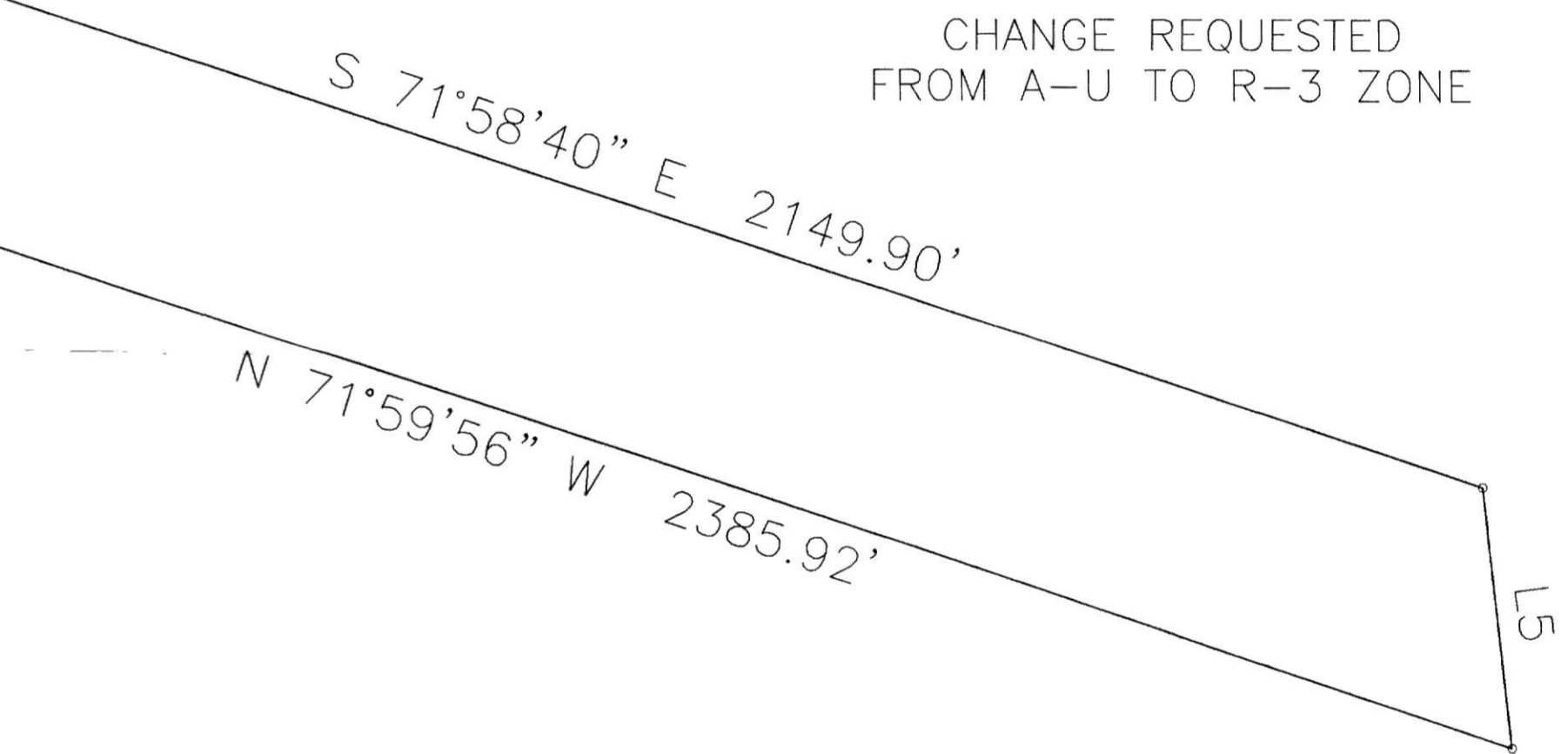
VICINITY MAP
NOT TO SCALE



PROPERTY MAP
SCALE: 1" = 200'

LINE	BEARING	DISTANCE
L1	N 58°13'35" W	112.41'
L2	N 31°46'25" E	290.03'
L3	S 58°13'35" E	111.74'
L4	S 71°58'36" E	37.08'
L5	S 06°54'50" E	309.88'

4630 OLD SCHOOLHOUSE LANE
15.519 AC. GROSS
14.773 AC. NET
CHANGE REQUESTED
FROM A-U TO R-3 ZONE



ZOMAR:	TITLE: 4630 OLD SCHOOLHOUSE LANE			
PROPERTY ADDRESS:	FROM	TO	GROSS	NET
4630 OLD SCHOOLHOUSE LANE	A-U	R-3	15.519	14.773
OWNER: MARGARET CAMIC (C/O JACK WHEAT)				
500 W. JEFFERSON ST., STE. 2400				
LOUISVILLE, KY 40202				
PREPARED BY: VISION ENGINEERING, LLC				
DATE REVISED: MARCH 16, 2022			TOTAL	15.519 14.773

