

**LEXINGTON-FAYETTE URBAN COUNTY  
 GOVERNMENT CONTRACT CHANGE ORDER**  
 Page 1 of 2

Date	February 14, 2017
Project	Fire Station #2 Replacement
Location	Lexington
Contract No	013-2016
Original Contract Amt	\$4 618 900 00
Cumulative Amount of Previous Change Orders	\$17 801 88
Percent Change - Previous Change Orders	0 39%
Total Contract Amount Prior to this Change Order	\$4 636 701 88
Change Order No	7

You are hereby requested to comply with the following changes from the contract plans and specification

**Current Change Order**

Item No	Description of changes-quantities, unit prices, change in completion date, etc	Decrease in contract price	Increase in contract price
1	Closet door hardware changes, new hardware at exterior bay door, & credit to remove bunk storage from EC Dorm per PR 09		\$2,187.59
2	Bottle filling station in apparatus bay per PR 10 #1		\$1,106.45
3	Add lock to door 101A per PR 10 #2		\$502.37
4	Add intercom station at 101A per PR 10 #3		\$3,016.83
5	Install tile at District Major shower per PR 10 #9		\$1,658.80
	Total decrease	\$0.00	
	Total increase		\$8,472.04
	Net Amount of this Change Order	\$8,472.04	
	New Contract Amount Including this Change Order	\$4,645,173.92	
	Percent Change - This Change Order		0.18%
	Percent Change - All Change Orders		0.57%

The time provided for the completion in the contract and all provisions of the contract will apply hereto.

Recommended by	<i>Jayce Thomas</i> (Project Manager)	Date	2/15/17
Accepted by	<i>D. King</i> (Contractor)	Date	02/14/17
Approved by	<i>[Signature]</i> (Director)	Date	2-14-17
Approved by	<i>[Signature] (for Comm. Recd)</i> (Commissioner)	Date	2-14-17
Approved by	<i>[Signature]</i> (Mayor or CAO)	Date	2/15/17

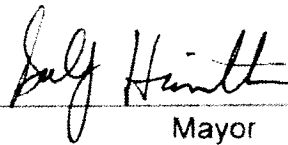
**JUSTIFICATION FOR CHANGE**

PROJECT Fire Station #2 Replacement

CONTRACT NO. 013-2016

CHANGE ORDER NO. 7

1. Necessity for change: Owner request to change drinking fountain to bottle filling station, operational change necessitates door hardware change at public entrance, shower enclosure for District Major shower was inadvertently omitted from the plans necessitating the need to tile that shower.
2. Is proposed change an alternate bid? \_\_\_ Yes  X  No
3. Will proposed change alter the physical size of the project? \_\_\_ Yes  X  No  
If "Yes", explain.
4. Effect of this change on other prime contractors: N/A
5. Has consent of surety been obtained? \_\_\_ Yes  X  Not Necessary
6. Will this change affect expiration or extent of insurance coverage? \_\_\_ Yes  X  No  
If "Yes", will the policies be extended? \_\_\_ Yes \_\_\_ No
7. Effect on operation and maintenance costs:
8. Effect on contract completion date: 0 working days

  
\_\_\_\_\_  
Mayor

2/15/17  
\_\_\_\_\_  
Date



120 MacArthur Court  
Nicholasville, KY 40356

Office 859-533-5723 Fax 859-881-1295  
victor@olympiconstruction.com

## Lexington Fire Station No. 2 Change Order Proposal Request 9

Per owner request, pricing for the following items:

1) Change Passage Sets to Classroom Locksets at the following doors: a. 124, 125 and 126.	Materials \$1,667.38 Passage Locksets Credit -(\$430) Labor 3 hrs. @ \$45 per hr. = \$135	\$1,372.38
2) Add exterior trim hardware on Door 135H and provide lockset for owner operation to be able to unlock and enter from exterior side of door. Interior function to remain as intended with free egress with exit device.	Materials \$650.84 Labor 1.5 hrs. @ \$45 per hr. = \$67.50	\$718.34
3) Provide Credit pricing to remove the bunk room storage units in EC Dorm 111 LABOR ONLY.		-\$102.00
<b>Total</b>		<b>\$1,988.72</b>
<b>10% Overhead/Profit</b>		<b>\$198.87</b>
<b>Grand Total</b>		<b>\$2,187.59</b>

Accepted by Olympicon Construction, Nicholasville, KY  
Victor Quintana on 2/13/2017



120 MacArthur Court  
Nicholasville, KY 40356

Office 859-533-5723 Fax 859-881-1295  
victor@olympiconstruction.com

## Lexington Fire Station No. 2 Change Order PR10.1

Per owner request, pricing for the following items:

Add a bottle filling station equal to ELKAY EXH20 as retrofit to existing fountains in the apparatus Bays 135 per PR 10.0

Materials qty. 1 x \$724.86

Labor 4 man hrs. @ \$45 per hr. = \$180

Electrical Direct Labor 1 hr. @ \$62 per hour

**\$966.86**

### Actual Cost Overhead

Bonds/Insurance \$39

**\$39.00**

**Total**

**\$1,005.86**

**10% Profit**

**\$100.59**

**Grand Total**

**\$1,106.45**

Contractor: Olympic Construction, Representative: Victor Kunitan  
Signature: *Victor Kunitan* Date: 02/14/2017



120 MacArthur Court  
Nicholasville, KY 40356

Office 859-533-5723 Fax 859-881-1295  
victor@olympiconstruction.com

## Lexington Fire Station No. 2 Change Order PR10.2

Per owner request, pricing for the following items:

Add lock to exterior side of door 101A. Lock to be able to be locked/unlocked from exterior with key and manually locked/unlocked from interior side of door with free egress at all times.

Materials \$259.70

Labor 4 man hrs. @ \$45 per hr. = \$180

**\$439.70**

### Actual Cost Overhead

Bonds/Insurance \$17

**\$17.00**

**Total**

**\$456.70**

**10% Profit**

**\$45.67**

**Grand Total**

**\$502.37**

Authorized Olympic Construction Representative Victor Kunitz  
Victor Kunitz 2/14/17



120 MacArthur Court  
Nicholasville, KY 40356

Office 859-533-5723 Fax 859-881-1295  
victor@olympiconstruction.com

## Lexington Fire Station No. 2 Change Order PR10.3

Per owner request, pricing for the following items:

Add intercom station at exterior side of Door 101A per PR10.10.

Materials \$901.57

Labor 28 hrs. @ \$62 per hr. = \$1,736

\$2,637.57

### Actual Cost Overhead

Bonds/Insurance \$105

\$105.00

**Total**

**\$2,742.57**

**10% Profit**

**\$274.26**

**Grand Total**

**\$3,016.83**

Contractor: Olympic Construction Representative: Victor Kunitsa  
Approved: Victor Kunitsa Date: 02/14/2017



120 MacArthur Court  
Nicholasville, KY 40356

Office 859-533-5723 Fax 859-881-1295  
victor@olympicconstruction.com

## Lexington Fire Station No. 2 Change Order PR10.9

Per owner request, pricing for the following items:

Per RFI 20, please provide pricing to install cement board, & install ceramic tiles/grout instead of shower system, add two grab bars & threshold

\$1,450.00

### Actual Cost Overhead

Bonds/Insurance \$58

\$58.00

**Total**

**\$1,508.00**

10% Profit

\$150.80

**Grand Total**

**\$1,658.80**

Contractor: Olympic Construction Representative: Victor Kunitza  
Signature: Victor Kunitza Date: 02/14/2017



BRANDSTETTER  
CARROLL INC

2360 Chauvin Dr  
LEXINGTON  
KY 40517  
859.268.1933  
FX: 859.268.3341

**Work Changes Proposal Request No. 10**

**Project:** 13117 Lexington Replacement Fire Station No. 2  
City Job No. 161-2015/038-2016

308 East 8<sup>th</sup> St  
CINCINNATI  
OH 45202  
513.651.4224  
FX: 513.651.0147

**To:** Olympic Construction  
216 Brome Dr.  
Nicholasville, KY 40356

1220 West 6<sup>th</sup> St  
Suite 300  
CLEVELAND  
OH 44113  
216.241.4480  
FX: 216.736.7185

**From:** Brandstetter Carroll Inc.  
2360 Chauvin Drive  
Lexington, KY 40517

**Date of Original Issuance:** January 19, 2017 1/25/17

**Response Due:** ASAP

17300 Preston Rd  
Suite 310  
CANTON  
TX 75252  
469.941.4926  
FX: 469.941.4112

**THIS IS NOT A CHANGE ORDER, CONSTRUCTION CHANGE DIRECTIVE, OR A  
DIRECTION TO PROCEED WITH THE WORK DESCRIBED IN THE PROPOSED  
MODIFICATION.**

---

Per owner request, please provide itemized pricing for the following items:

- ① Add a Bottle Filling Station equal to ELKAY EXH20 as retrofit to the existing fountains in Apparatus Bays 135. See PR 10.0
- ② Add lock to exterior side of door 101A. Lock to be able to be locked/unlocked from exterior with key and manually locked/unlocked from interior side of door with free egress at all times.
- ③ Add intercom station at exterior side of Door 101A per PR 10.10.
4. See PR 10.1-PR 10.2 for modifications for EC Dorm 111 adding new CMU wall to create separate sleeping and sitting areas. See PR 10.7-PR 10.10 for Modifications to Mechanical and Electrical Items related to EC Dorm 111.
5. Add sidewalk and Tactile Warning Strips along Eastland Drive as shown in PR 10.3 and PR 10.4 per LFUCG Standards.
6. Modify existing apron and curbs at Eastland Drive as shown in PR 10.3 and PR 10.4. per LFUCG Standards.
7. Add sidewalk and Tactile Warning Strips along Murray Drive as shown in PR 10.3 and PR 10.4 per LFUCG Standards.
8. Modify existing apron and curbs at Murray Drive as shown in PR 10.3 and PR 10.4. per LFUCG Standards.



9. Per RFI 20, please provide pricing to add shower system controls kit and shower surround enclosure for transfer stall with all accessories including but not limited to, stainless steel grab bars, molded soap dishes, HDPE Fold-up shower seat, anti-bacterial shower curtain, stainless steel curtain rod, stainless steel curtain hooks, ½" threshold, and valve package, per the attached PR 10.5 and PR 10.6. Provide credit pricing for shower controls and toilet accessories in contract but not installed.

Please include detailed breakdowns of pricing for each of the items listed above and categorized by the number of item above. Provide material and labor pricing breakdowns for each item listing the quantities and unit costs associated with each item.

Attachments: PR 10.0 - PR 10.10.

Submitted by:



Eric M. Chambers, AIA, CID, CDT, LEED GA  
Associate

# ELKAY®

## SPECIFICATIONS

### EZH2O® Bottle Filling Station Retro-fit Model for EZ/LZ Coolers Model EZWSRK

**RATED FOR INDOOR USE ONLY**

#### PRODUCT SPECIFICATION

Retrofit bottle filling station for 115V/60Hz EZ style pushbar-activated models. Bottle filling unit shall include an electronic sensor for touchless activation with auto 20-second shut-off timer. Shall include Green Ticker™ displaying count of plastic bottles saved from waste. Bottle filler shall provide 1.1-1.5 gpm flow rate with laminar flow to minimize splashing. Shall include integrated silver ion anti-microbial protection in key areas. Unit shall meet ADA guidelines. Unit shall be lead-free design which is certified to NSF/ANSI 61 and 372 and meets Federal and State low-lead requirements. Unit shall be certified to UL399 and CAN/CSA 22.2 No. 120.

#### STANDARD FEATURES

- Sanitary, touchless activation with auto 20-second shut-off
- Integrated Silver Ion Anti-microbial Protection in key areas
- Quick Fill Rate: 1.1 gpm when connected to refrigerated EZ models; 1.5 gpm for non-refrigerated connections
- Laminar Flow provides minimal splash
- Real Drain System eliminates standing water
- Visual User Interface display includes:
  - Innovative Green Ticker™ counts bottles saved from waste

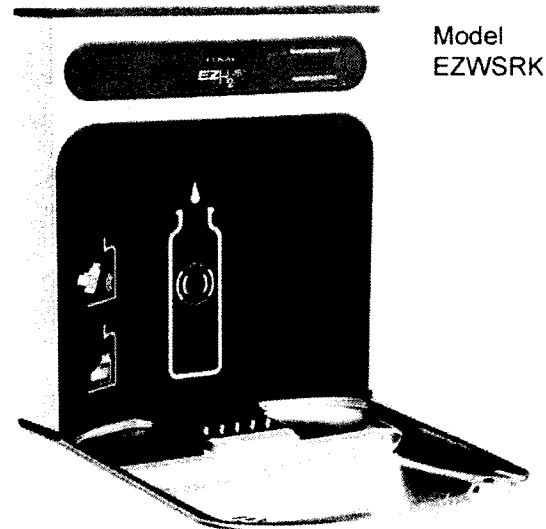
#### CONSTRUCTION

- Stainless Steel bottle filler wrapper with ABS plastic alcove
- Retrofits to most 115/60Hz EZ style pushbar-activated models  
Not designed for retrofit to EZO / LZO sensor-activated coolers

#### CAPACITIES CHART

Model	Voltage / Hertz	Chilling Capacity	F.L. Amps	Rated Watts	Approx. Ship Wt.
EZWSRK	115V / 60Hz	Based on Existing Cooler Rating	1.0	15	18

The above ratings apply only to the EZWSRK unit. Ratings for the cooler not included.



Model  
EZWSRK

#### OPTIONAL ACCESSORY:

- 36292C Receptacle Adaptor Plug (115V with three plug-in receptacles).

**Warranty:** Electrical components and water system are warranted for 12 months from date of installation or 18 months from factory shipment, whichever date falls first.

#### CERTIFICATIONS / STANDARDS

- ADA Compliant
- UL399 and CAN/CSA 22.2 No. 120 Certified
- ANSI/NSF 61 and 372 Certified
- GreenSpec® Listed



*This specification describes an Elkay product with design, quality and functional benefits to the user. When making a comparison of other producer's offerings, be certain these features are not overlooked.*

**EZH20® Bottle Filling Station**  
**Retro-fit Model for EZ/LZ Coolers**  
**Model EZWSRK**

**ELKAY®**  
**ROUGH-IN**

RATED FOR INDOOR USE ONLY

**IMPORTANT!**

EZH20 Retro-fit is designed to fit on an existing EZ style cooler which is properly installed per the EZ Spec Sheet rough-in information.

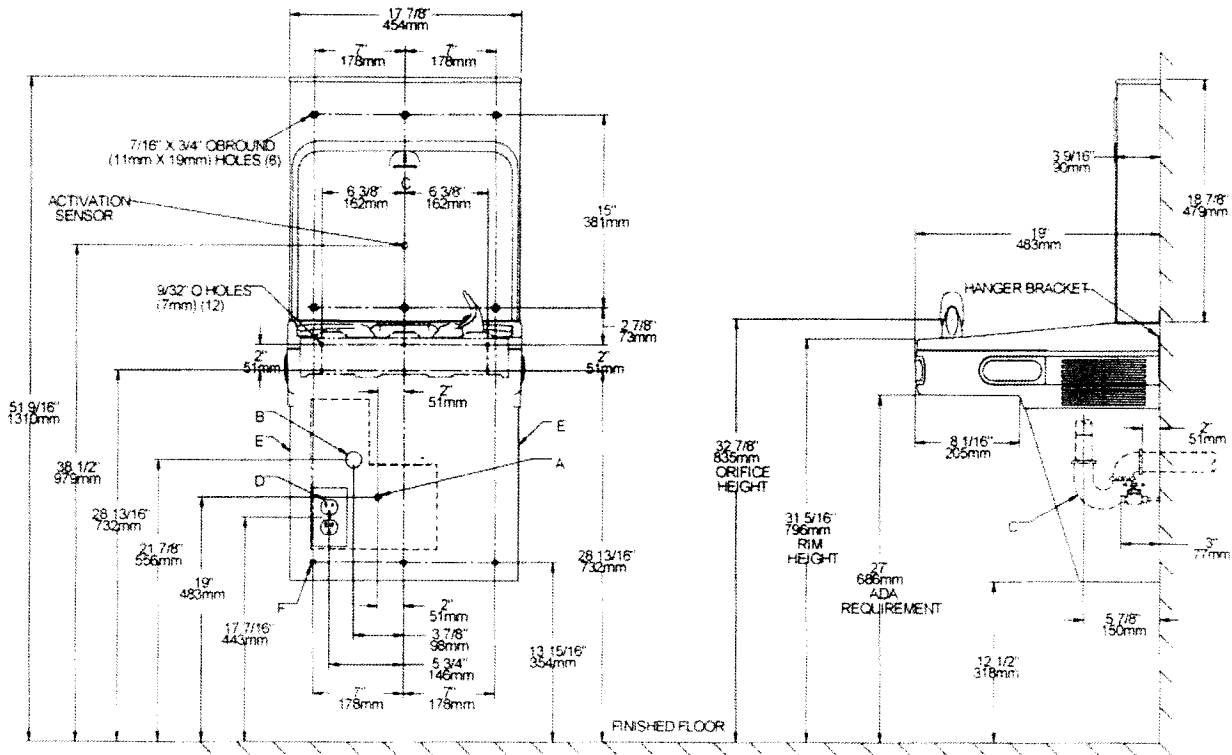
**ELECTRICAL**

EZH20 equipped with electrical cord and three-prong molded rubber plug for use with 15-amp minimum receptacle. Rated at 115V/60Hz, single phase.

**INSTALLATION NOTES:**

- Unit will mount on bracket attached to wall as indicated by six holes shown
- Water and electrical will route through hole punched into basin.
- Cooler must be pressurized. Bi-level and glass filler prepped units are already pressurized

**SINGLE COOLER RETRO-FIT**



REDUCE HEIGHT BY 3 INCHES FOR INSTALLATION OF CHILDRENS ADA COOLER

**LEGEND:**

- A = Recommended Water Supply location Shut-off Valve (not furnished) to accept 3/8" O D unplated copper tube. Up to 3" (76mm) maximum out from wall
  - B = Recommended Waste Outlet location. To accommodate 1-1/4" nominal drain. Drain stub 2" (51mm) out from wall
  - C = 1-1/4" Trap (not furnished)
  - D = Electrical Supply (3) Wire Recessed Box Duplex Outlet
  - E = Insure proper ventilation by maintaining 6" (152mm) minimum clearance from cabinet louvers to wall
  - F = 7/16" (11mm) Bolt holes for fastening to wall
- \*\*New installations Must Use Ground Fault Circuit Interrupter (GFCI)

Job Name \_\_\_\_\_  
 Model \_\_\_\_\_ Qty \_\_\_\_\_  
 Contact \_\_\_\_\_  
 Approval Signature \_\_\_\_\_  
 Notes \_\_\_\_\_

**EZH2O® Bottle Filling Station**  
**Retro-fit Model for EZ/LZ Coolers**  
**Model EZWSRK**



RATED FOR INDOOR USE ONLY

**IMPORTANT!**

EZH2O Retro-fit is designed to fit on an existing EZ style cooler which is properly installed per the EZ Spec Sheet rough-in information.

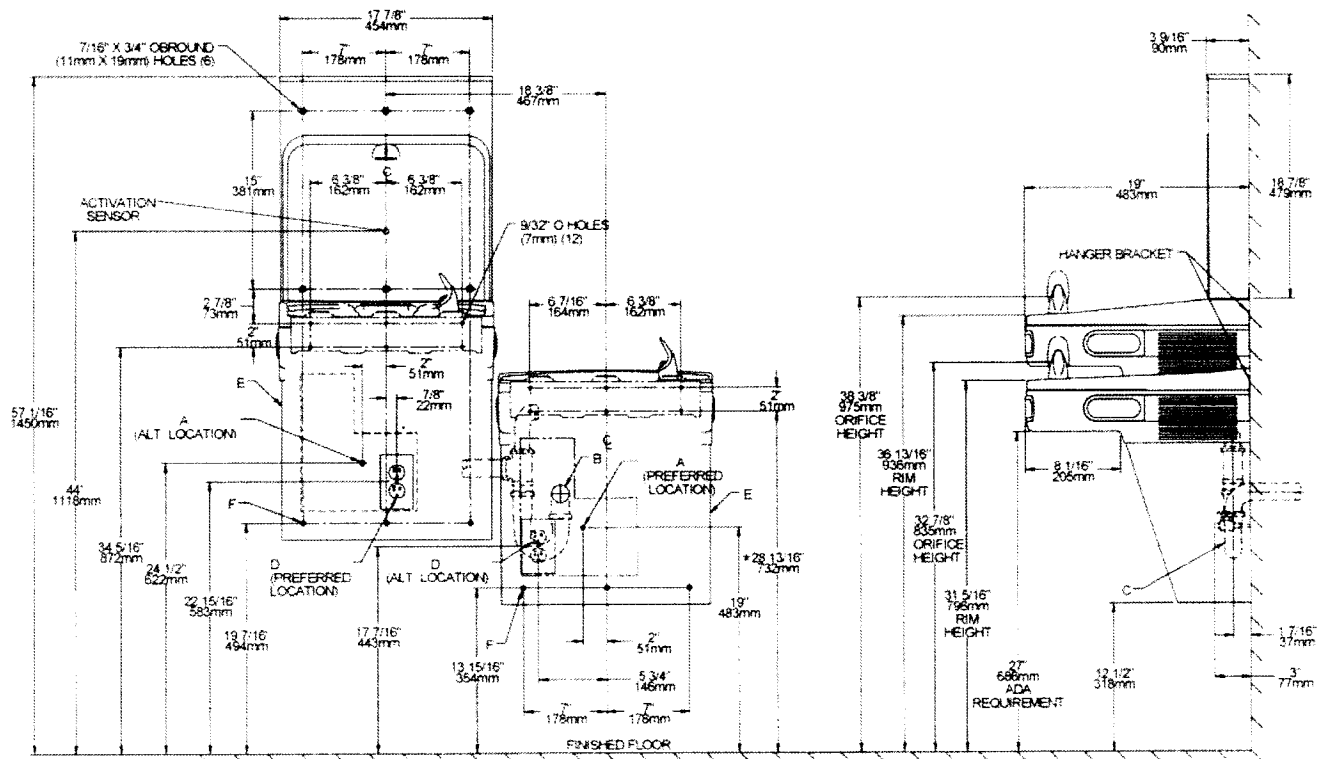
**INSTALLATION NOTES:**

- Unit will mount on bracket attached to wall as indicated by six holes shown.
- Water and electrical will route through hole punched into basin.
- Cooler must be pressurized. Bi-level and glass filler prepped units are already pressurized

**ELECTRICAL**

EZH2O equipped with electrical cord and three-prong molded rubber plug for use with 15-amp minimum receptacle. Rated at 115V/60Hz, single phase.

**BI-LEVEL COOLER RETRO-FIT**



REDUCE HEIGHT BY 3 INCHES FOR INSTALLATION OF CHILDRENS ADA COOLER

**LEGEND**

- A = Recommended Water Supply location. Shut-off Valve (not furnished) to accept 3/8" O.D. unplated copper tube. Up to 3" (76mm) maximum out from wall
  - B = Recommended Waste Outlet location. To accommodate 1-1/2" nominal drain. Drain stub 2" (51mm) out from wall
  - C = 1-1/2" Trap (not furnished)
  - D = Electrical Supply (3) Wire Recessed Box Duplex Outlet
  - E = Insure proper ventilation by maintaining 6" (152mm) minimum clearance from cabinet louvers to wall
  - F = 7/16" (11mm) Bolt Holes for fastening to wall
- \*New installations Must Use Ground Fault Circuit Interrupter (GFCI)

Job Name: \_\_\_\_\_  
 Model: \_\_\_\_\_ Qty: \_\_\_\_\_  
 Contact: \_\_\_\_\_  
 Approval Signature: \_\_\_\_\_  
 Notes: \_\_\_\_\_

**EZH2O® Bottle Filling Station**  
**Retro-fit Model for EZ/LZ Coolers**  
**Model EZWSRK**

**ELKAY®**  
**ROUGH-IN**

RATED FOR INDOOR USE ONLY

**IMPORTANT!**

EZH2O Retro-fit is designed to fit on an existing EZ style cooler which is properly installed per the EZ Spec Sheet rough-in information.

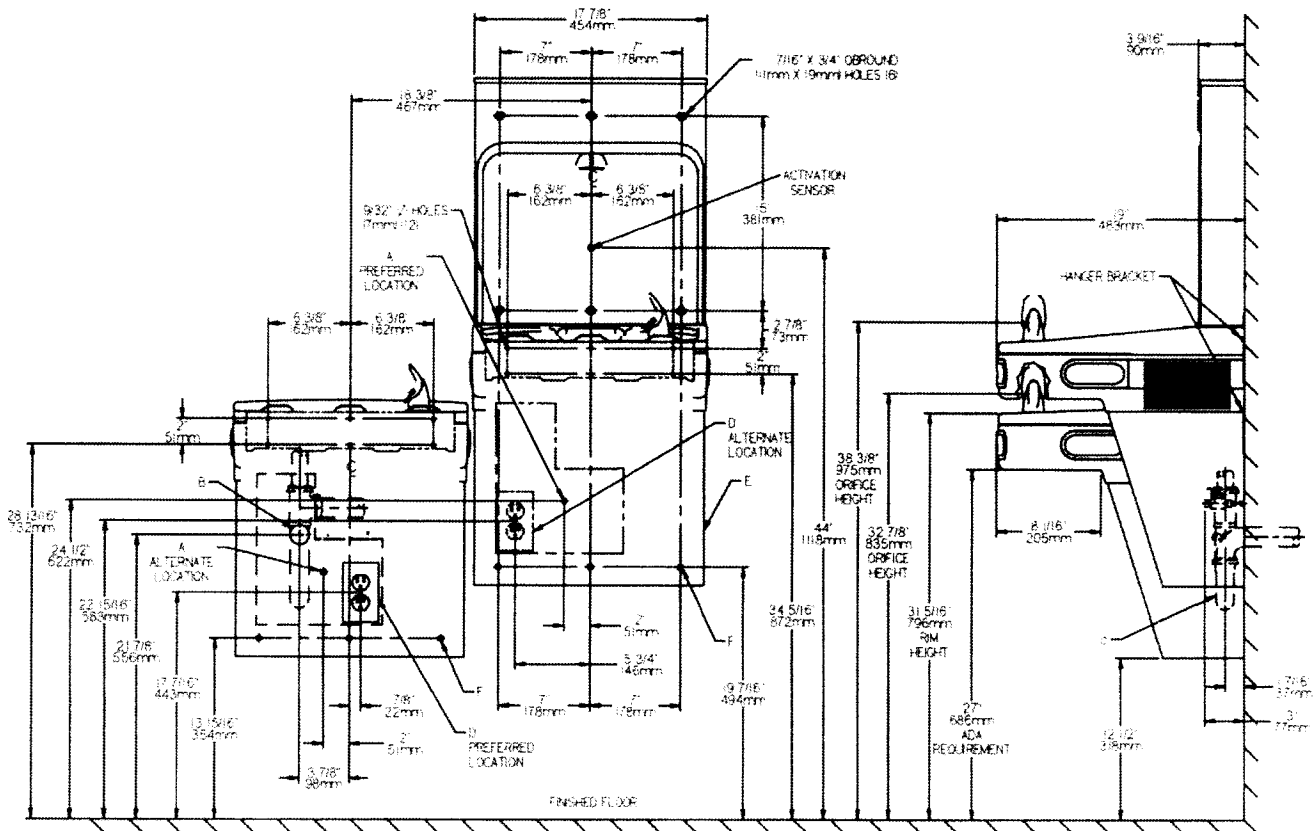
**ELECTRICAL**

EZH2O equipped with electrical cord and three-prong molded rubber plug for use with 15-amp minimum receptacle. Rated at 115V/60Hz, single phase.

**INSTALLATION NOTES:**

- Unit will mount on bracket attached to wall as indicated by six holes shown
- Water and electrical will route through hole punched into basin
- Cooler must be pressurized. Bi-level and glass filler prepped units are already pressurized.

**BI-LEVEL REVERSE COOLER RETRO-FIT**

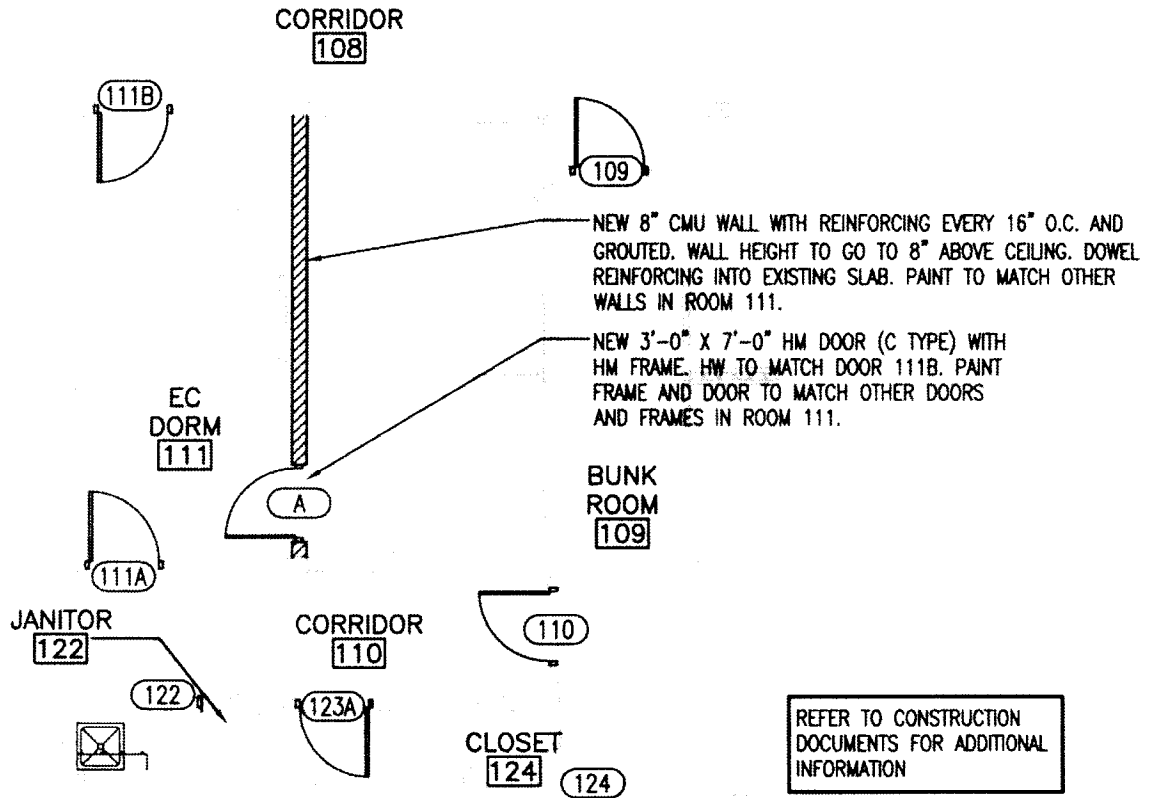


REDUCE HEIGHT BY 3 INCHES FOR INSTALLATION OF CHILDRENS ADA COOLER

**LEGEND**

- A = Recommended Water Supply location. Shut-off Valve (not furnished) to accept 3/8" O.D. unplated copper tube. Up to 3" (76mm) maximum out from wall
  - B = Recommended Waste Outlet location. To accommodate 1-1/2" nominal drain. Drain stub 2" (51mm) out from wall
  - C = 1-1/2" Trap (not furnished)
  - D = Electrical Supply (3) Wire Recessed Box Duplex Outlet
  - E = Insure proper ventilation by maintaining 6" (152mm) minimum clearance from cabinet covers to wall
  - F = 7/16" (11mm) Bolt Holes for fastening to wall
- \*\*New installations Must Use Ground Fault Circuit Interrupter (GFCI)

Job Name \_\_\_\_\_  
 Model \_\_\_\_\_ Qty \_\_\_\_\_  
 Contact \_\_\_\_\_  
 Approval Signature \_\_\_\_\_  
 Notes \_\_\_\_\_



**A1** PR 10 EC Dorm 111 Plan  
1/8" = 1'-0"

12117 01 18 17

LEXINGTON REPLACEMENT FIRE STATION NO. 2  
FUGG  
EASTLAND DRIVE LEXINGTON, KY 40505



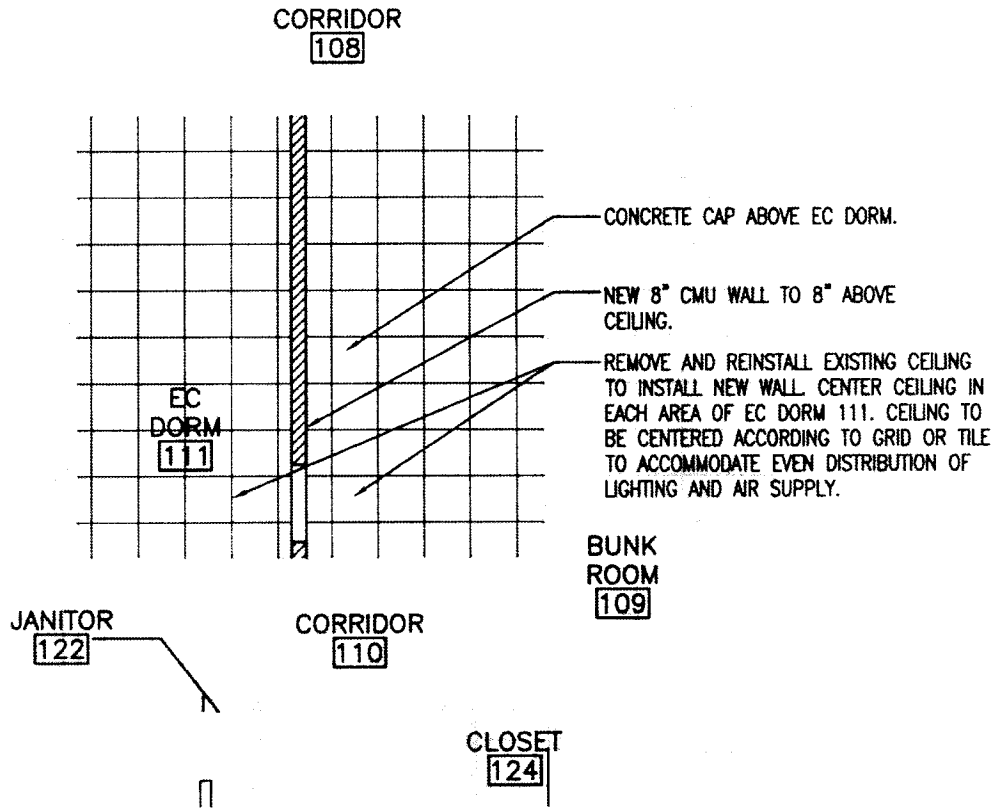
**BRANDSTETTER  
CARROLL INC**  
ARCHITECTS ENGINEERS PLANNERS

Lexington Cincinnati Cleveland Dallas

A-101

EC DORM MODIFICATION

**PR  
10.1**



REFER TO CONSTRUCTION DOCUMENTS  
CEILING PLAN FOR OTHER INFORMATION  
RELATING TO CEILINGS.

A1

# EC Dorm 111 Reflected Ceiling Plan Update

1/8"=1'-0"

13117 01.18.17

LEXINGTON REPLACEMENT FIRE STATION NO. 2  
DRUGG  
EASTLAND DRIVE, LEXINGTON, KY 40509

A-103

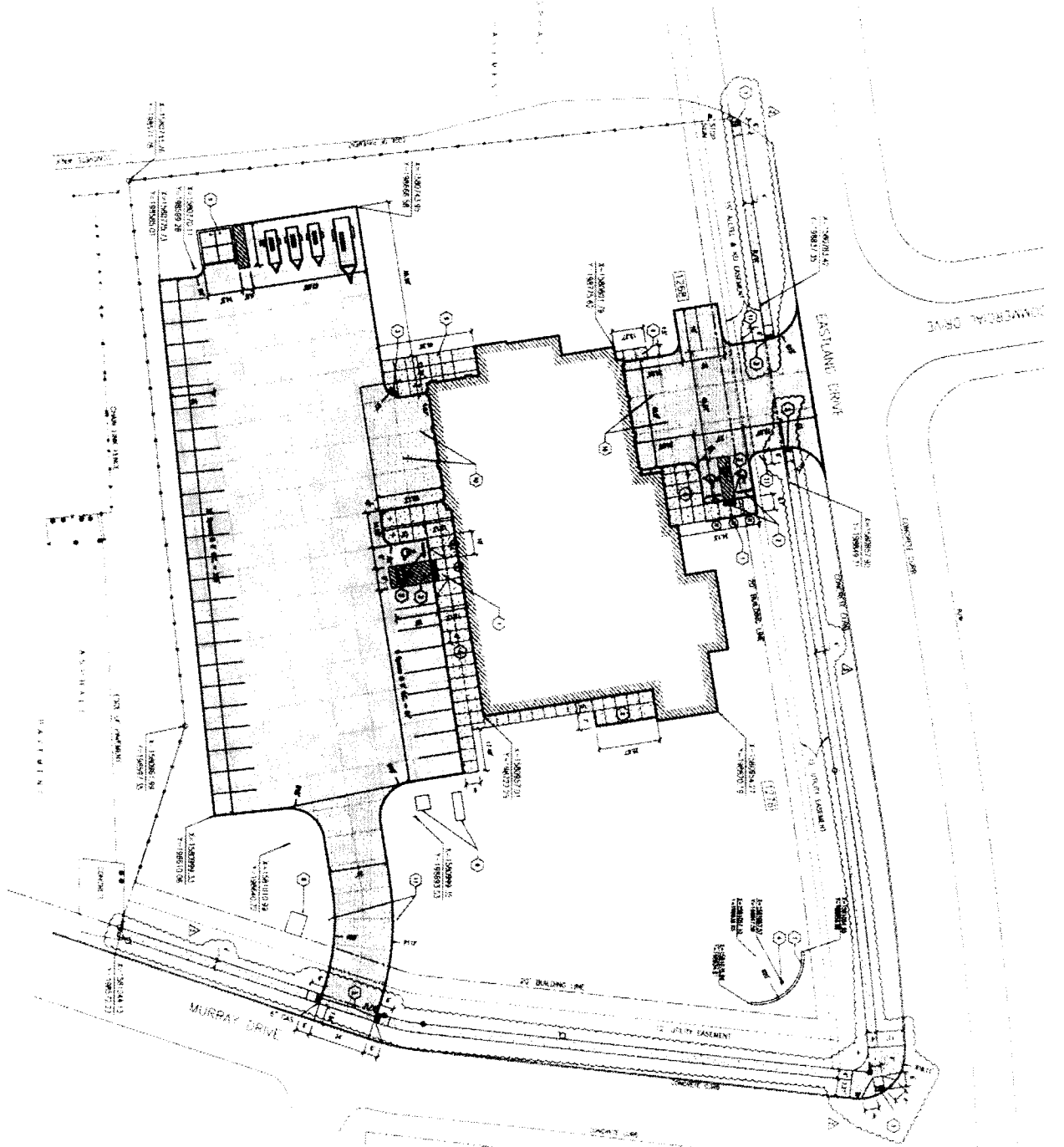
EC DORM CEILING MODIFICATIONS



**BRANDSTETTER  
CARROLL INC**  
ARCHITECTS ENGINEERS PLANNERS

Lexington Cincinnati Cleveland Dallas

PR  
10.2



**Coded Notes**

- 1. EXISTING DRIVE - 12' WIDE
- 2. EXISTING DRIVE - 12' WIDE
- 3. EXISTING DRIVE - 12' WIDE
- 4. EXISTING DRIVE - 12' WIDE
- 5. EXISTING DRIVE - 12' WIDE
- 6. EXISTING DRIVE - 12' WIDE
- 7. EXISTING DRIVE - 12' WIDE
- 8. EXISTING DRIVE - 12' WIDE
- 9. EXISTING DRIVE - 12' WIDE
- 10. EXISTING DRIVE - 12' WIDE
- 11. EXISTING DRIVE - 12' WIDE
- 12. EXISTING DRIVE - 12' WIDE
- 13. EXISTING DRIVE - 12' WIDE
- 14. EXISTING DRIVE - 12' WIDE
- 15. EXISTING DRIVE - 12' WIDE

**General Notes**

1. ALL DIMENSIONS ARE IN FEET AND INCHES UNLESS OTHERWISE NOTED.

2. ALL DIMENSIONS ARE TO FACE UNLESS OTHERWISE NOTED.

3. ALL DIMENSIONS ARE TO CENTERLINE UNLESS OTHERWISE NOTED.

4. ALL DIMENSIONS ARE TO CENTERLINE UNLESS OTHERWISE NOTED.

5. ALL DIMENSIONS ARE TO CENTERLINE UNLESS OTHERWISE NOTED.

6. ALL DIMENSIONS ARE TO CENTERLINE UNLESS OTHERWISE NOTED.

7. ALL DIMENSIONS ARE TO CENTERLINE UNLESS OTHERWISE NOTED.

8. ALL DIMENSIONS ARE TO CENTERLINE UNLESS OTHERWISE NOTED.

9. ALL DIMENSIONS ARE TO CENTERLINE UNLESS OTHERWISE NOTED.

10. ALL DIMENSIONS ARE TO CENTERLINE UNLESS OTHERWISE NOTED.

11. ALL DIMENSIONS ARE TO CENTERLINE UNLESS OTHERWISE NOTED.

12. ALL DIMENSIONS ARE TO CENTERLINE UNLESS OTHERWISE NOTED.

13. ALL DIMENSIONS ARE TO CENTERLINE UNLESS OTHERWISE NOTED.

14. ALL DIMENSIONS ARE TO CENTERLINE UNLESS OTHERWISE NOTED.

15. ALL DIMENSIONS ARE TO CENTERLINE UNLESS OTHERWISE NOTED.

**Legend**

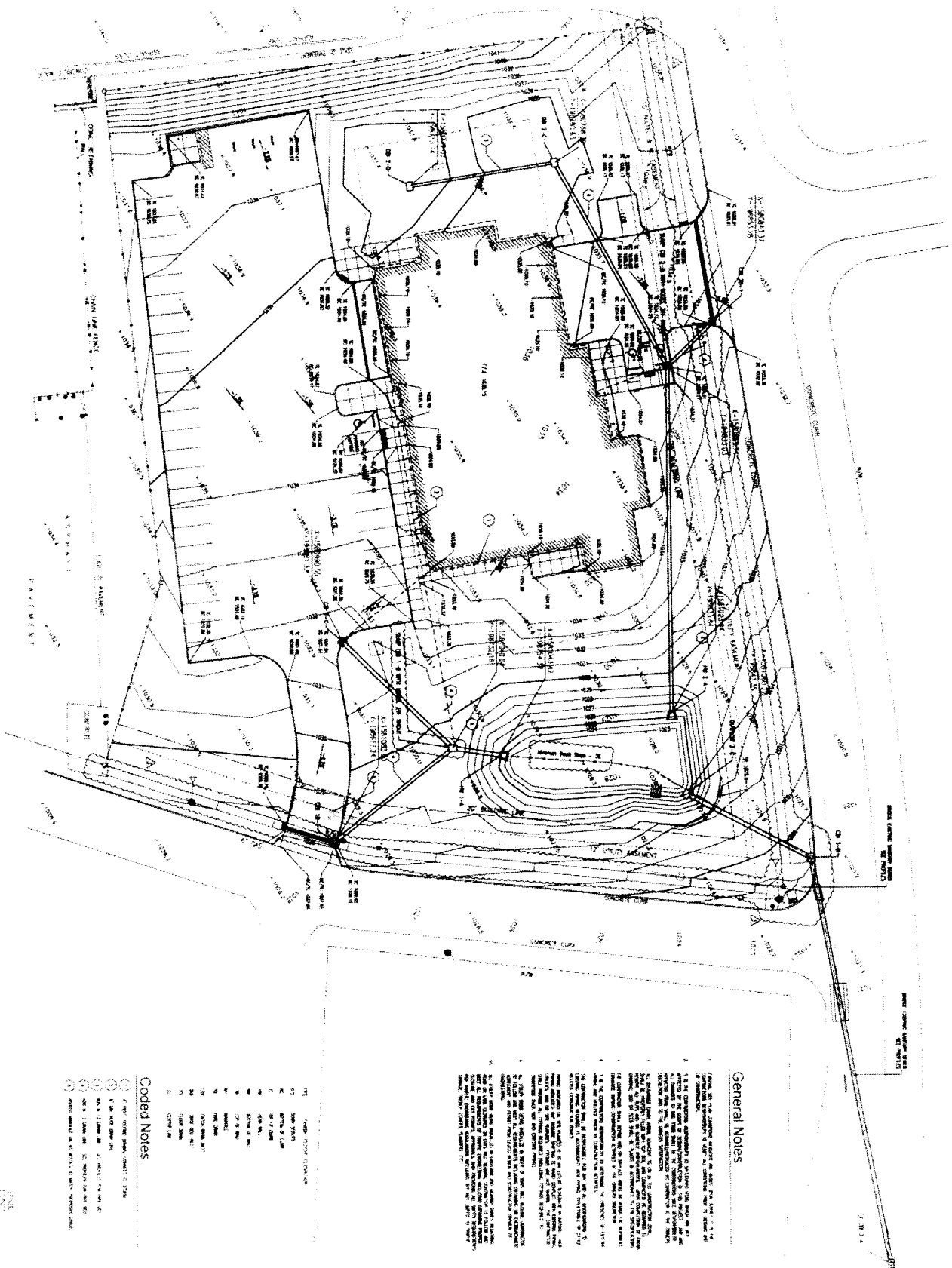
- 1. EXISTING DRIVE - 12' WIDE
- 2. EXISTING DRIVE - 12' WIDE
- 3. EXISTING DRIVE - 12' WIDE
- 4. EXISTING DRIVE - 12' WIDE
- 5. EXISTING DRIVE - 12' WIDE
- 6. EXISTING DRIVE - 12' WIDE
- 7. EXISTING DRIVE - 12' WIDE
- 8. EXISTING DRIVE - 12' WIDE
- 9. EXISTING DRIVE - 12' WIDE
- 10. EXISTING DRIVE - 12' WIDE
- 11. EXISTING DRIVE - 12' WIDE
- 12. EXISTING DRIVE - 12' WIDE
- 13. EXISTING DRIVE - 12' WIDE
- 14. EXISTING DRIVE - 12' WIDE
- 15. EXISTING DRIVE - 12' WIDE

PROJECT NO. 13117  
 DATE 1/11/2015  
 C-101  
 BRASHEAR ENGINEERING  
 1000 EASTLAND DRIVE  
 SUITE 100  
 MURRAY, MISSOURI 64575  
 PHONE 417-241-1111  
 FAX 417-241-1112  
 WWW.BRASHEAR-ENGINEERING.COM



BRASHEAR ENGINEERING  
 1000 EASTLAND DRIVE  
 SUITE 100  
 MURRAY, MISSOURI 64575  
 PHONE 417-241-1111  
 FAX 417-241-1112  
 WWW.BRASHEAR-ENGINEERING.COM





General Notes

1. THE CONTRACTOR SHALL BE RESPONSIBLE FOR OBTAINING ALL NECESSARY PERMITS AND APPROVALS FROM THE LOCAL AUTHORITIES AND THE STATE DEPARTMENT OF TRANSPORTATION AND PUBLIC SAFETY. THE CONTRACTOR SHALL BE RESPONSIBLE FOR OBTAINING ALL NECESSARY PERMITS AND APPROVALS FROM THE LOCAL AUTHORITIES AND THE STATE DEPARTMENT OF TRANSPORTATION AND PUBLIC SAFETY. THE CONTRACTOR SHALL BE RESPONSIBLE FOR OBTAINING ALL NECESSARY PERMITS AND APPROVALS FROM THE LOCAL AUTHORITIES AND THE STATE DEPARTMENT OF TRANSPORTATION AND PUBLIC SAFETY.

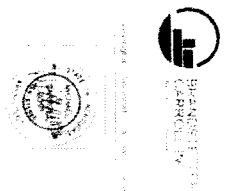
Coded Notes

- 1. 1" = 10' SCALE
- 2. 1" = 10' SCALE
- 3. 1" = 10' SCALE
- 4. 1" = 10' SCALE
- 5. 1" = 10' SCALE
- 6. 1" = 10' SCALE
- 7. 1" = 10' SCALE
- 8. 1" = 10' SCALE
- 9. 1" = 10' SCALE
- 10. 1" = 10' SCALE



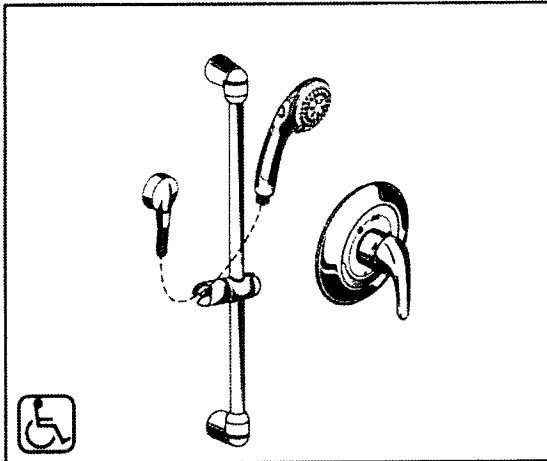
13117  
 161-2015  
 C-102

CONTRACT NO.  
 PROJECT NO.  
 SHEET NO.



*American  
Standard*

**COMMERCIAL SHOWER SYSTEMS**  
**2.5 GPM SHOWER SYSTEM KIT**  
WITH HAND SHOWER



**MODEL NUMBER:**

☐ **1662.221 Commercial Shower System Kit**

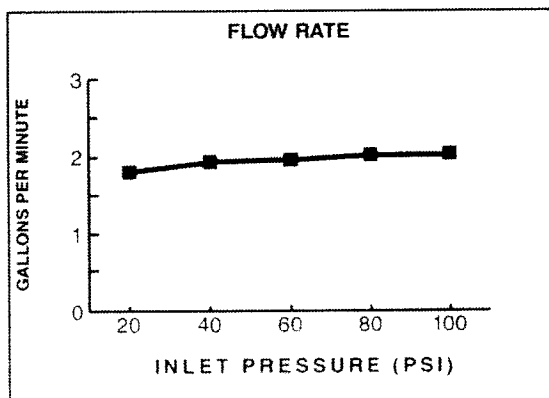
Includes:

• Shower Valve with SS	R120SS
• Colony Soft Valve Only Trim	T675.500.002
• 3-Function Hand Shower with Pause Feature	1660.767.002
• In-Line Vacuum Breaker	1660.400.002
• Metal Hose	8888.035.002
• Wall Supply	8888.037.002
• 36" Slide Bar	1660.236.002

**GENERAL DESCRIPTION:**

Complete commercial shower system includes: an R120SS pressure balance valve and trim, a wall supply with 1/2" NPT female inlet and 1/2" NPSM male outlet, a 59" (1500 mm) metal shower hose, vacuum breaker, a 3-function hand shower with pause feature, and a 36" slide bar.

Valve features a cast brass body, washerless 47 mm ceramic disc valve cartridge with volume and temperature control, back-to-back capability, integrated check valves and hot limit safety stop. Pressure balancing cartridge maintains constant output temperature in response to changes in relative hot and cold supply pressure. One-half inch direct sweat inlets and outlets. With screwdriver stops. Rough-in plaster guard designed for use as thin-wall mounting adapter. Durable metal handle. 3-function hand shower with pause feature and 2.5 gpm/9.5 L/min. flow restrictor. Slide bar features an adjustable hand shower holder which can be set at any height or position along the bar and angle up to 45°.



**PRODUCT FEATURES:**

**VALVE:**

**Cast Brass Valve Body:** Durable.

**Ceramic Disc Valve Cartridge:** Assures a lifetime of drip-free performance. Allows control over water temperature and volume.

**Pressure Balancing Valve Cartridge:** Maintains constant output temperature in response to changes in hot and cold supply pressure. Diaphragm system with integrated check valves engineered to eliminate cross flow.

**Back-to-Back Capability:** Hot and cold can be reversed quickly and easily.

**Adjustable Hot Limit Safety Stop:** Limits the amount of hot water allowed to mix with cold. Reduces the risk of accidental scalding.

**Integral Plaster Guard and Mounting Plate:** Protects valve during installation and serves as a mounting plate for thin-wall installations.

**HAND SHOWER WITH PAUSE FEATURE:**

**ADA-Compliant:** Non-positive shut-off button on handle reduces flow to a trickle.

**36" SLIDE BAR:**

**Simple Height Adjustment:** Allows positioning of the hand shower anywhere along the bar.

**NOT DESIGNED TO BE A GRAB BAR.**

**SUGGESTED SPECIFICATION:**

Shower system shall feature a wall supply with 1/2" NPT female inlets and 1/2" NPSM male outlet, 59" metal hose, vacuum breaker, 2.5 gpm/9.5 L/min. 3-function hand shower with pause feature and a 36" slide bar. Pressure Balance valve shall feature a cast brass body. Shall feature ceramic disc valve cartridge which controls water temperature and volume. Shall also feature hot limit safety stop. Fitting shall be American Standard Model # 1662.221.002.



# COMMERCIAL SHOWER SYSTEMS

## 2.5 GPM SHOWER SYSTEM KIT

WITH HAND SHOWER

### CODES AND STANDARDS

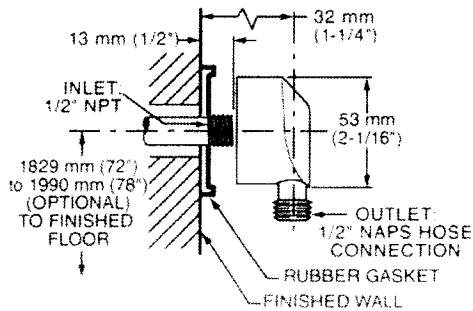
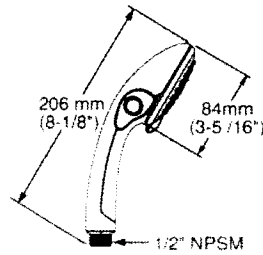
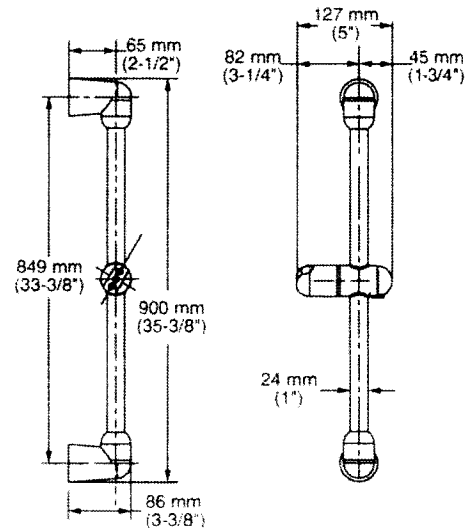
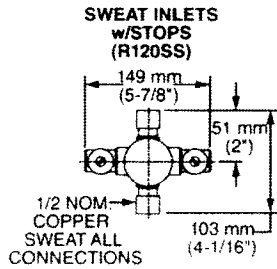
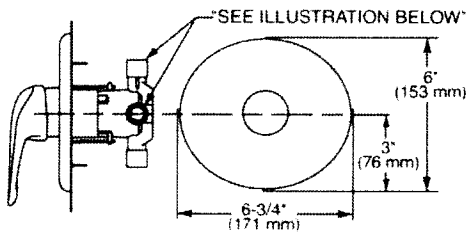
Install as required to comply with local code requirements.

- ASME A112.18.1
- ASSE 1016
- CSA B 125
- ANSI A117.1

Product Number	Description	Finish
		Polished Chrome
		002

1662.221	Commercial Shower System Kit. Contains pressure balance valve with volume and temperature control, trim kit, 3-function hand shower with pause feature, metal hose, vacuum breaker, wall supply and 36" slide bar. 2.5 gpm/9.5 L/min.
----------	---



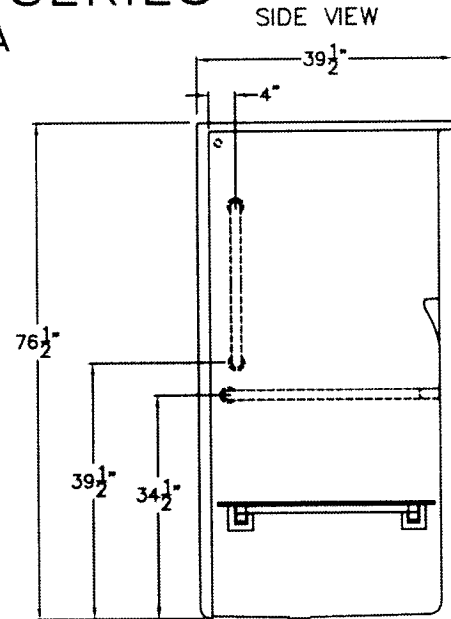
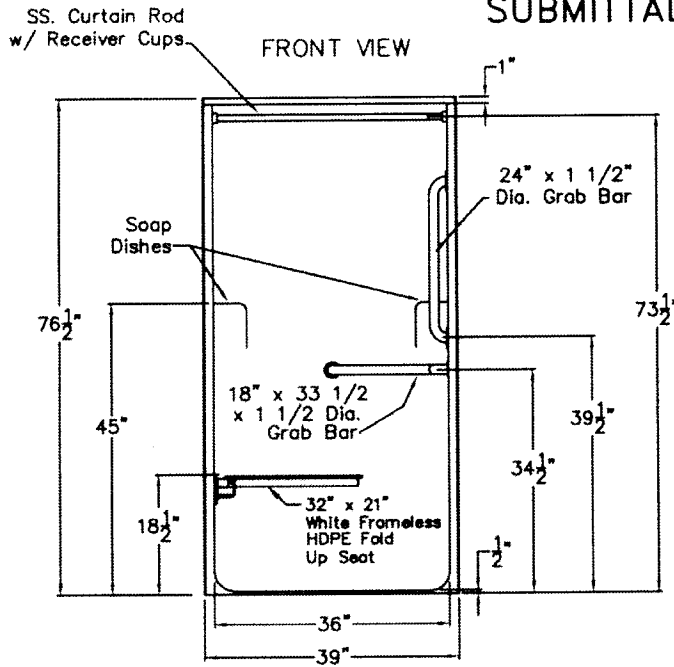
PART OF LIXIL

HANDED BY THE VALVE

Model G 3698 BF .50

# SPECIAL NEEDS SERIES

## SUBMITTAL DATA



### Transfer Shower Stall

The shower enclosure shall be Aquarius Model G 3698 BF right or left. Finished surface shall be of a sanitary-grade polyester Gelcoat exhibiting a minimal thickness of 15 dry mils, and a finished cured Barcol hardness of 80-90 as tested with ASTM D-2583. Unit construction shall be of molded reinforced fiberglass with a 15% minimum fiberglass content. The unit shall have outside dimensions of 39" x 39 1/2" x 76 1/2". The base shall be attached to the sump of the unit in such a manner to form and integral part with an inner and outer coating of reinforced polyester resin. The unit shall meet ANSI Z124.1-2, ANSI A117.1, ADA, HUD, BOCA, NAHB, UPC, and shall meet the requirements of the Southern Building Code.

The enclosure shall be equipped with the following installed accessories:

- 1) one 18" x 33 1/2" x 1 1/2" diameter, stainless steel L-grab bar, 2) one 24" x 1 1/2" grab bar, both with 1/2" statute clearance, mounted with stainless steel bolts and secured from the rear with a 3" x 3" x 11 gauge metal mounting plate, 3) molded corner soap dishes, 4) 32" x 21" white frameless HDPE fold up seat, 5) one inch diameter, 18 gauge stainless steel curtain rod with receiver cups, 6) 1/2" Threshold.

Available Options:

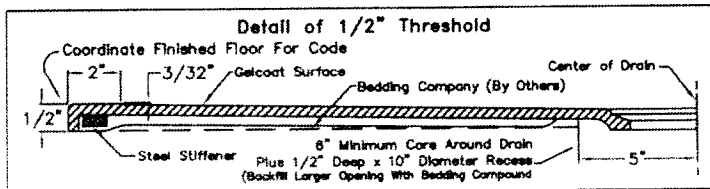
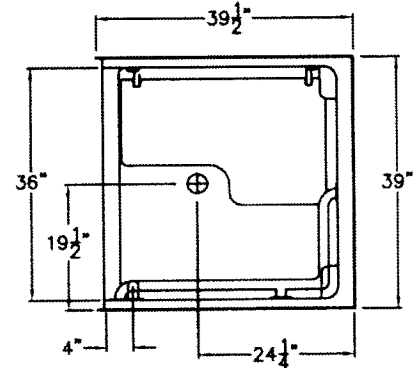
- 1) Green shower curtain, anti-bacterial, and hooks, 2) White shower curtain and hooks.
- 3) valve package includes, control valve, hand shower with swivel connector, 60" flex hose, 30" slide bar, vacuum breaker, wall water outlet fitting.

THIS UNIT FEATURES THE OUTSIDE DIMENSIONS OF 39" OF OVERALL WIDTH. THIS DOES NOT ALLOW FOR FULL ENCLOSURE OF THE BOLTS THAT ARE USED TO SECURE THE BARS AND SEAT IN PLACE. THE BOLT AND NUT COMBINATION SHOULD NOT PROTRUDE ANY MORE THAN 3/4" ON EITHER SIDE OF THE SHOWER WALLS. THIS MAY REQUIRE THE NEED TO NOTCH STUDS TO ALLOW BOLT CLEARANCE FOR INSTALLATION.

FOR A DRY WALL ENCLOSED FIRE WALL INSTALLATION, ADJUSTMENT OF THE WALLBOARD MAY BE NECESSARY TO PROVIDE CLEARANCE OF THE BOLT (S) WHILE MAINTAINING THE INTEGRITY OF THE DRYWALL ENCLOSED FIRE WALL ENCLOSURE.

NOTE: THIS UNIT WILL NOT ACCEPT A DOOR!

TOP VIEW



DUE TO THE NATURE OF THE MATERIALS DIMENSIONS MAY VARY ± 1/2"

## AQUARIUS

Model No.: G3698 BF .50

Drawing#: G3698 BF .50 Package 1 ADA with CR

Approved by:

Date Approved:

Date: 5-30-07

Revised: 7-18-13

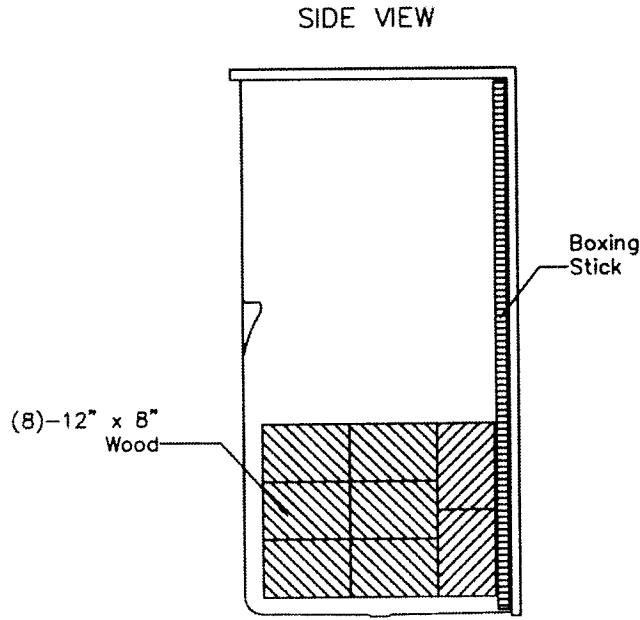
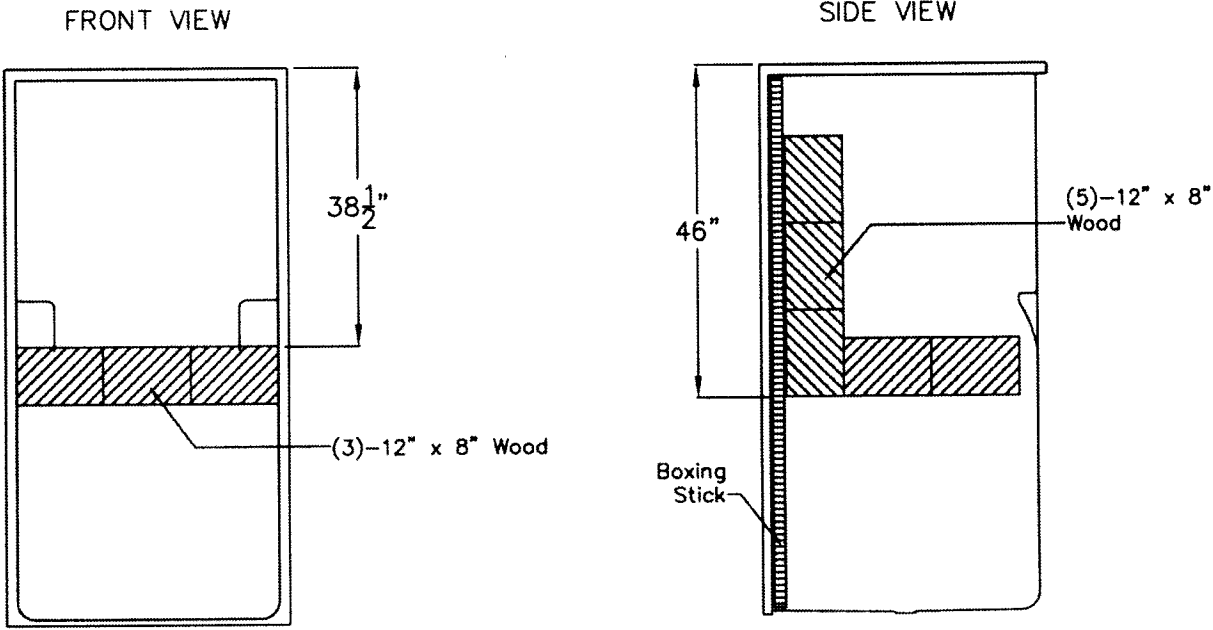
Rep.:

Wholesaler:

Quote No.:

PRAXIS INDUSTRIES, LLC.  
435 INDUSTRIAL ROAD, SAVANNAH, TN 38372  
1 (800) 326-5489 - FAX (888) 246-0466

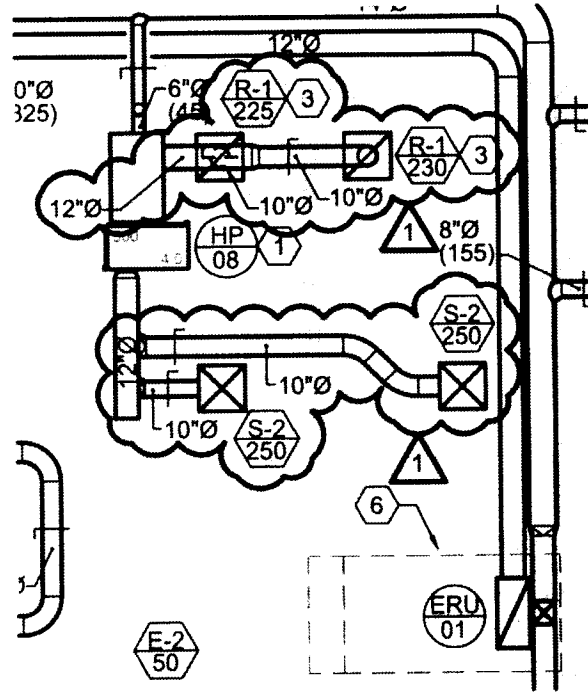
# Board Placement SUBMITTAL DATA



DUE TO THE NATURE OF THE MATERIALS  
DIMENSIONS MAY VARY ± 1/2"

Job Name:	<b>AQUARIUS</b>
Model No.:	Drawing#: G3698 BF .50 Package 1 ADA with CR-BP
Approved by:	Date Approved: Date: 3-15-07 Revised: 7-18-13
Rep.:	Wholesaler: Quote No.:


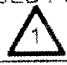
PRAXIS INDUSTRIES, LLC.  
435 INDUSTRIAL ROAD, SAVANNAH, TN 38372  
1 (800) 443-7269 - FAX (731) 925-4290




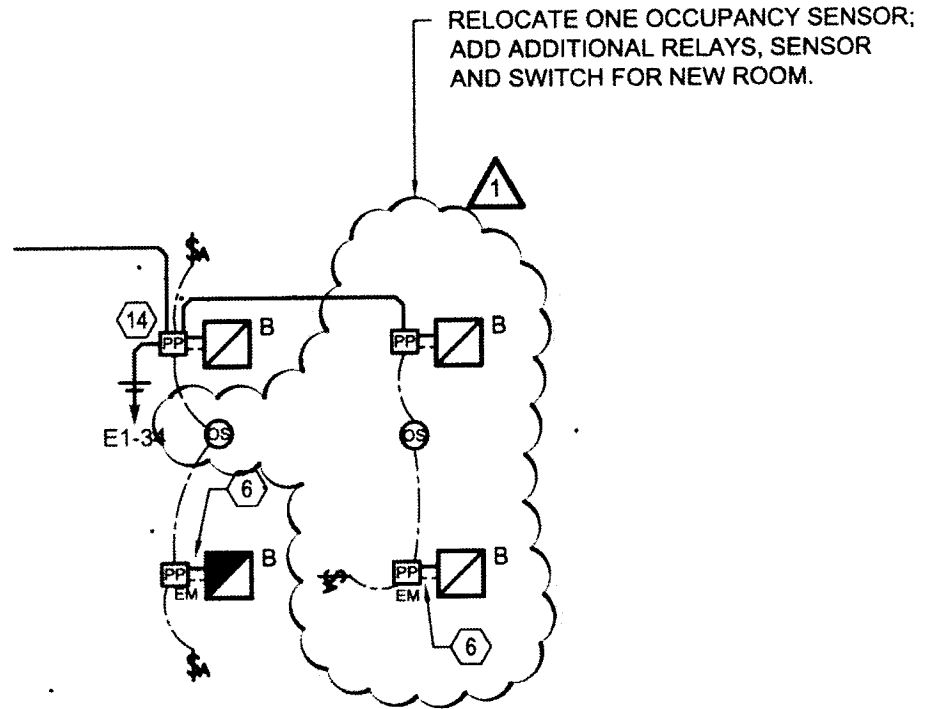
1 PR 10 EC 111 DORM PLAN  
1/8"=1'-0"



EC DORM MODIFICATION - MECHANICAL PLAN

 <b>SHROUT TATE WILSON</b> MECHANICAL AND ELECTRICAL ENGINEERS	Lexington - Louisville 628 Winchester Road Lexington, KY 40505 t: 859 277 8177 www.stweng.com	LEXINGTON REPLACEMENT FIRE STATION NO. 2 LFUCG EASTLAND DRIVE, LEXINGTON, KY 40509			
		ISSUED FOR:  PR 10	DRAWN BY: BS	CHECKED BY: BS	SCALE: 1/8"=1'-0"

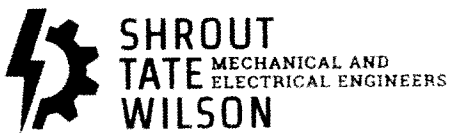
ISSUED FOR:	DRAWN BY:	CHECKED BY:	SCALE:	DATE:	SHEET:
 PR 10	BS	BS	1/8"=1'-0"	1/19/2017	<b>M-101A</b>



**1** PR 10 EC 111 DORM PLAN  
1/8"=1'-0"




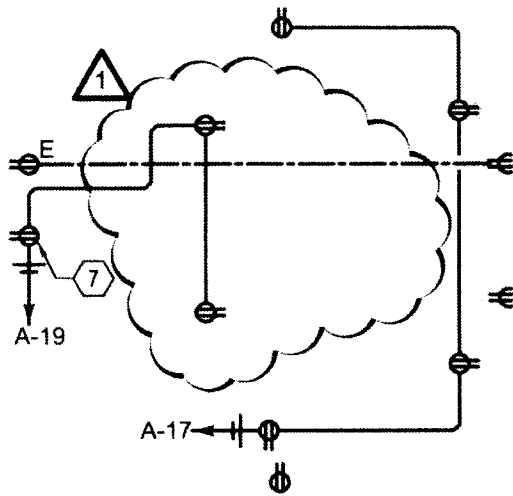
EC DORM MODIFICATION - LIGHTING PLAN



Lexington - Louisville  
628 Winchester Road Lexington, KY 40505  
t: 859.277.8177 www.stweng.com

LEXINGTON REPLACEMENT FIRE STATION NO. 2  
LFUCG  
EASTLAND DRIVE, LEXINGTON, KY 40509

ISSUED FOR:  PR 10	DRAWN BY: DE	CHECKED BY: DE	SCALE: 1/8"=1'-0"	DATE: 1/19/2017	SHEET: <b>E-101A</b>
--	-----------------	-------------------	----------------------	--------------------	-------------------------



**1** PR 10 EC 111 DORM PLAN  
 1/8"=1'-0"



EC DORM MODIFICATION - POWER PLAN

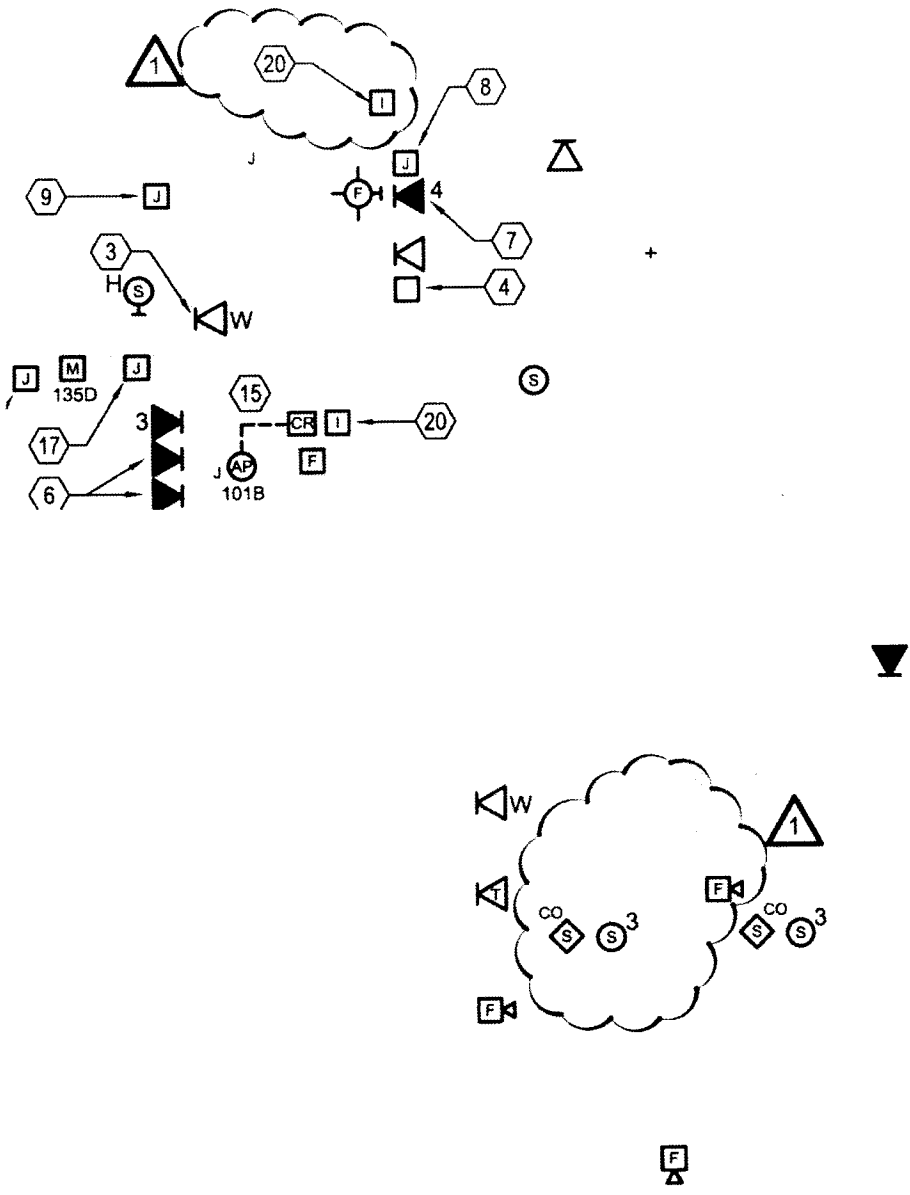
**SHROUT  
 TATE  
 WILSON**  
 MECHANICAL AND  
 ELECTRICAL ENGINEERS

Lexington - Louisville  
 628 Winchester Road Lexington, KY 40505  
 t: 859.277.8177 www.stweng.com

LEXINGTON REPLACEMENT FIRE STATION NO. 2  
 LFUCG  
 EASTLAND DRIVE, LEXINGTON, KY 40509

ISSUED FOR:  PR 10	DRAWN BY: DE	CHECKED BY: DE	SCALE: 1/8"=1'-0"	DATE: 1/19/2017	SHEET: <b>E-201A</b>
--	-----------------	-------------------	----------------------	--------------------	-------------------------

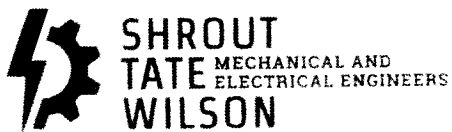




1 PR 10 EC 111 DORM PLAN  
 1/8"=1'-0"



EC DORM MODIFICATION - SYSTEMS PLAN



Lexington - Louisville  
 628 Winchester Road Lexington, KY 40505  
 t: 859.277.8177 www.stweng.com

LEXINGTON REPLACEMENT FIRE STATION NO. 2  
 LFUGG  
 EASTLAND DRIVE, LEXINGTON, KY 40509

ISSUED FOR: 1 PR 10	DRAWN BY: DE	CHECKED BY: DE	SCALE: 1/8"=1'-0"	DATE: 1/19/2017	SHEET E-301A
------------------------	-----------------	-------------------	----------------------	--------------------	-----------------