

APPENDIX B

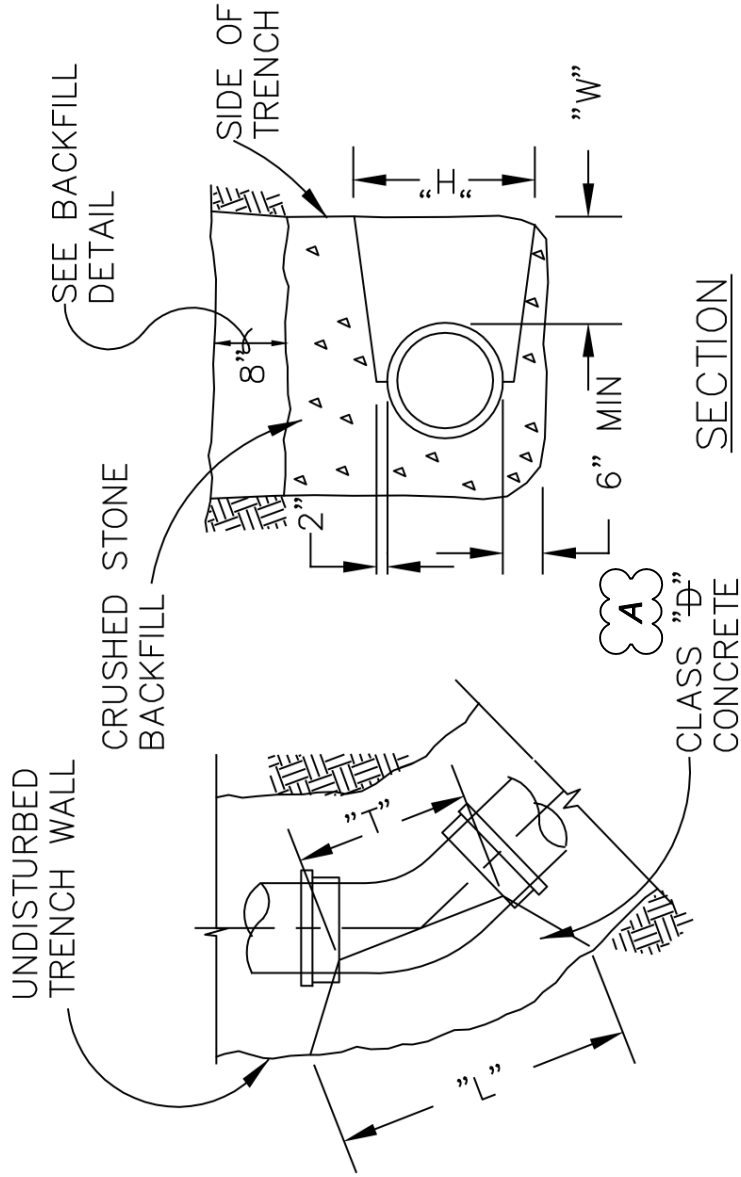
LFUCG Sanitary Sewer & Pumping Station Standard Drawings 2009

Excerpt from:
LFUCG Sanitary Sewer and Pump Station Manual,
Appendix B - Drawings

* ALL PIPE AND FITTINGS TO BE BLOCKED SHALL BE WRAPPED TO PREVENT PERMANENT ENCASEMENT OF JOINTS.

45° BEND						
SIZE	D	4"	6"	8"	10"	12"
W		8"	8"	10"	12"	12"
L		14"	18"	20"	22"	27"
H		14"	16"	18"	20"	24"
T		13"	15"	16"	18"	18"

90° BEND						
SIZE	D	4"	6"	8"	10"	12"
W		8"	8"	10"	12"	12"
L		14"	24"	30"	35"	40"
H		14"	16"	18"	24"	30"
T		13"	16"	18"	20"	22"



PLAN

SECTION

HORIZ. & VERT. BENDS &
CONCRETE BACKING

1/1/09

2" DIA. PVC VENT
CRUSHED STONE (NO. 57)
HALFWAY AROUND
MANHOLE

**MANHOLE SHOULD BE LINED
WITH VULCAN COATING, OR
APPROVED EQUAL AS
SPECIFIED IN SECTION 02608.**

STANDARD MANHOLE
CROSS-SECTION

GRAVITY SEWER

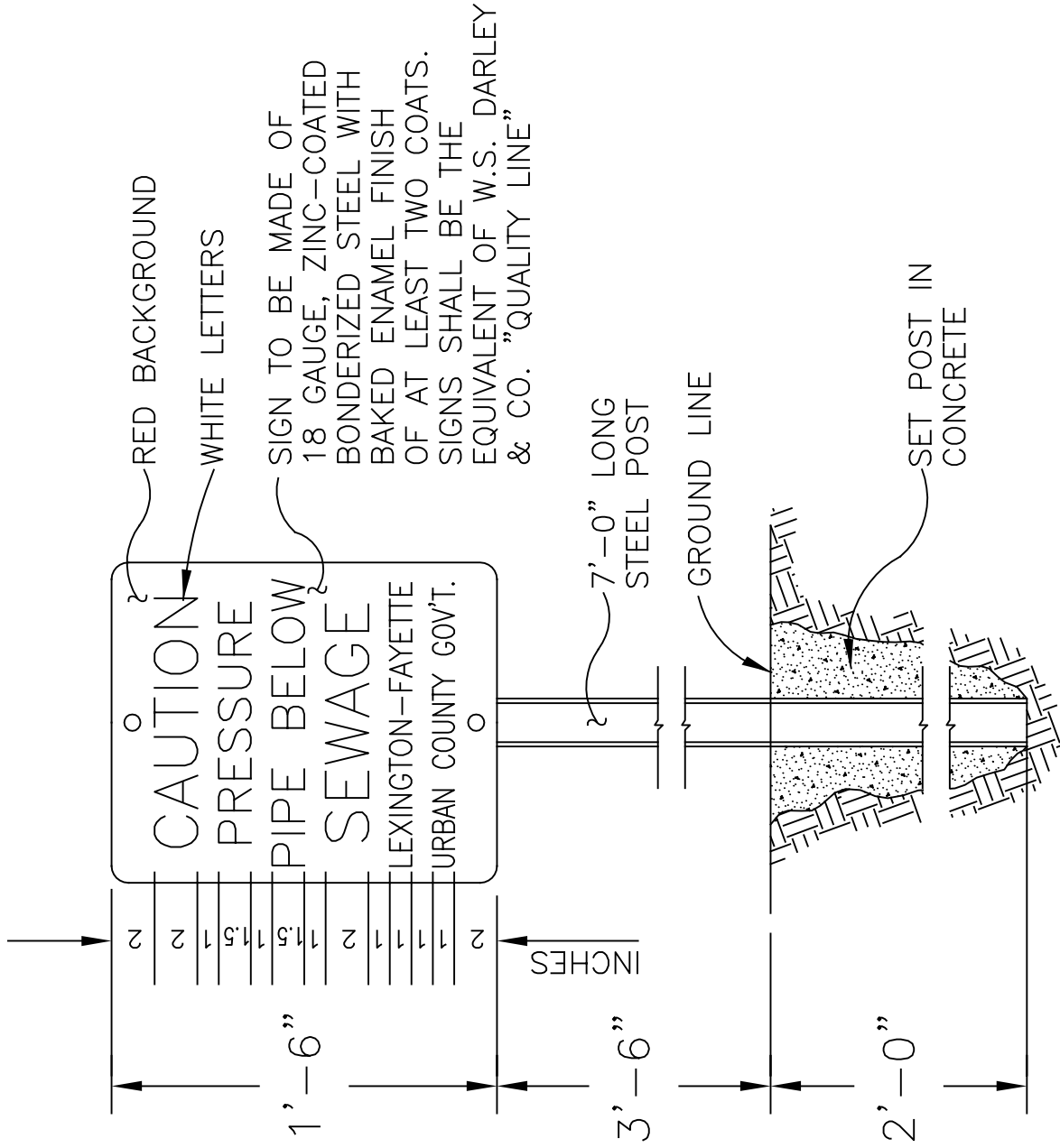
TOP OF PIPE TO BE
SAME ELEVATION AS
INVERT OF GRAVITY
SEWER

FORCE MAIN

TYPICAL MANHOLE FOR
TRANSITION FROM FORCE MAIN
TO GRAVITY SEWER

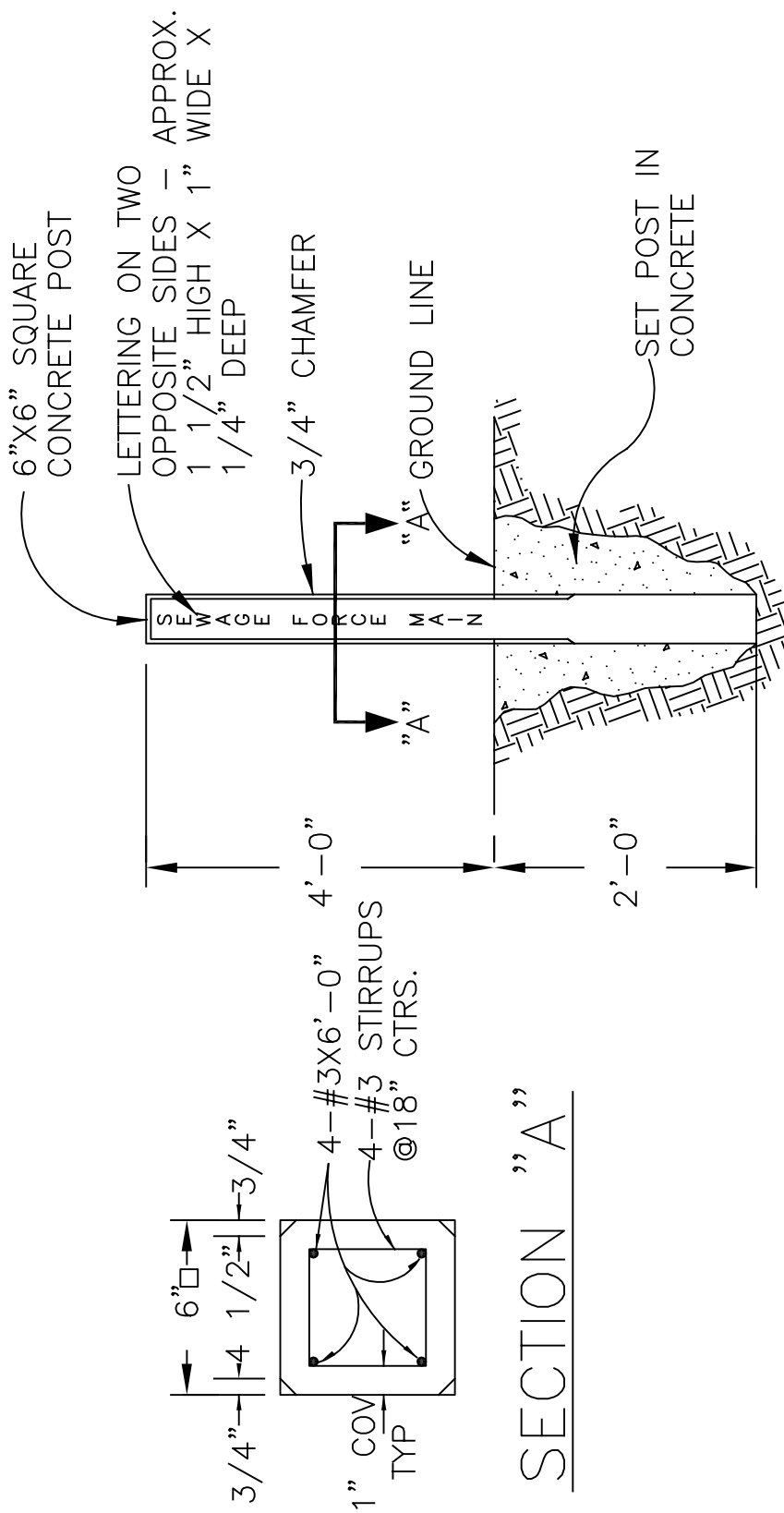
1/1/09

STANDARD SANITARY SEWER DRAWING NO. PS407-0



STEEL POST AND
LINE MARKER

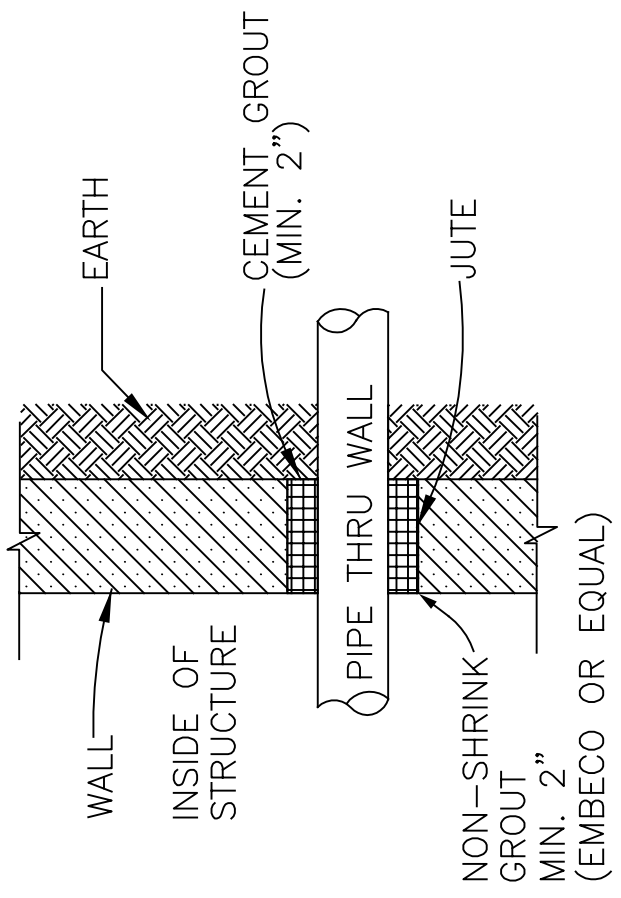
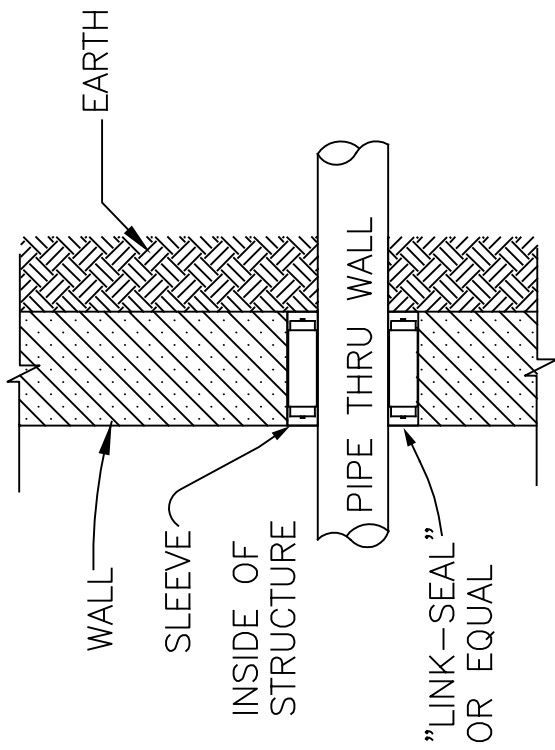
1/1/09



CONCRETE LINE MARKER

1/1/09

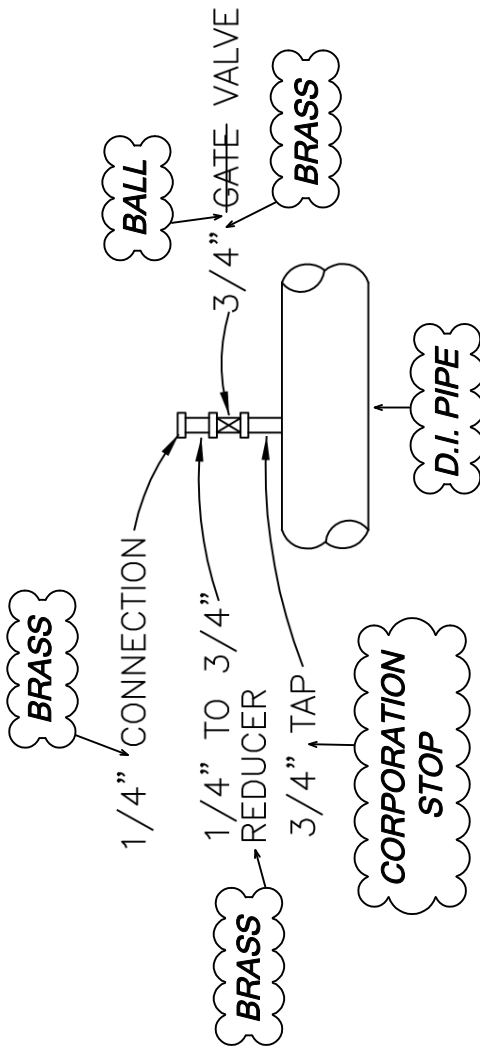
STANDARD SANITARY SEWER DRAWING NO. PS409-0



WALL PENETRATION DETAIL

1/1/09

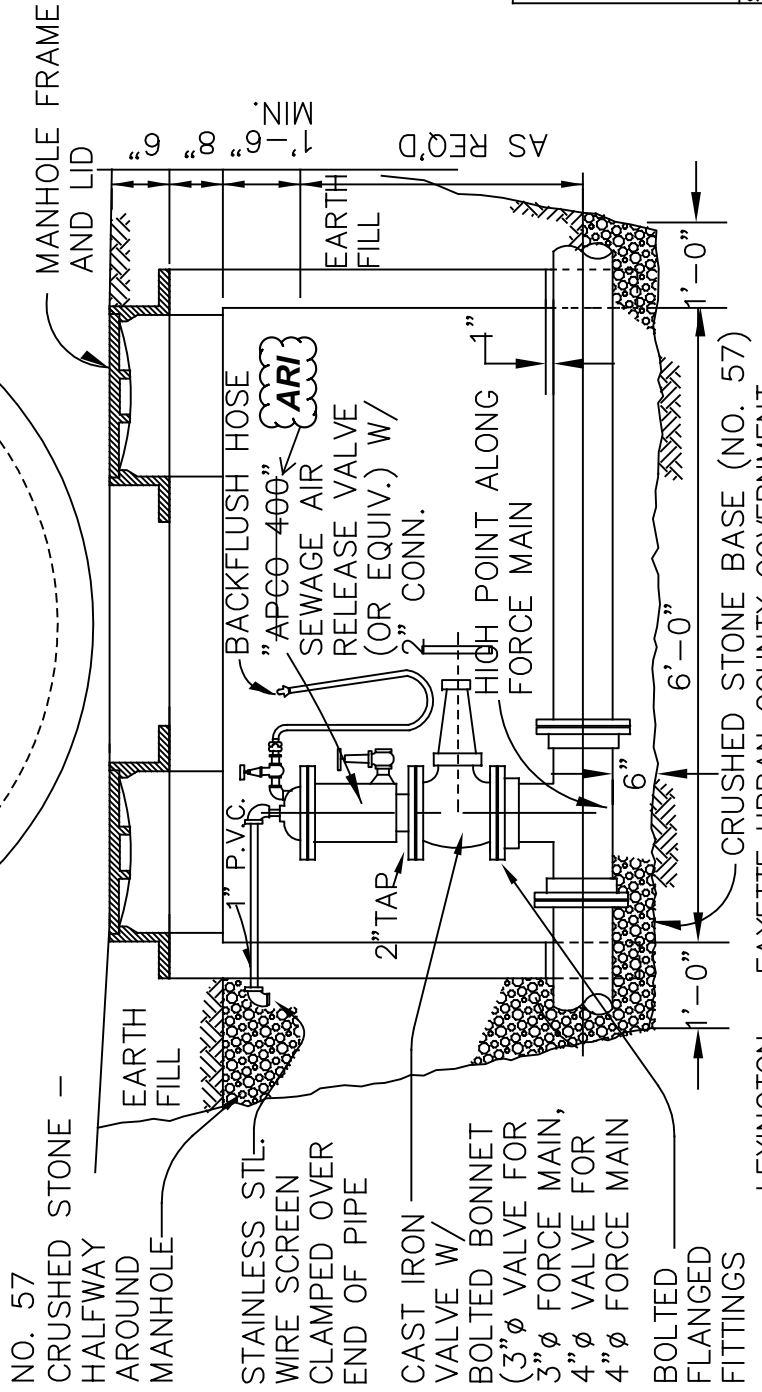
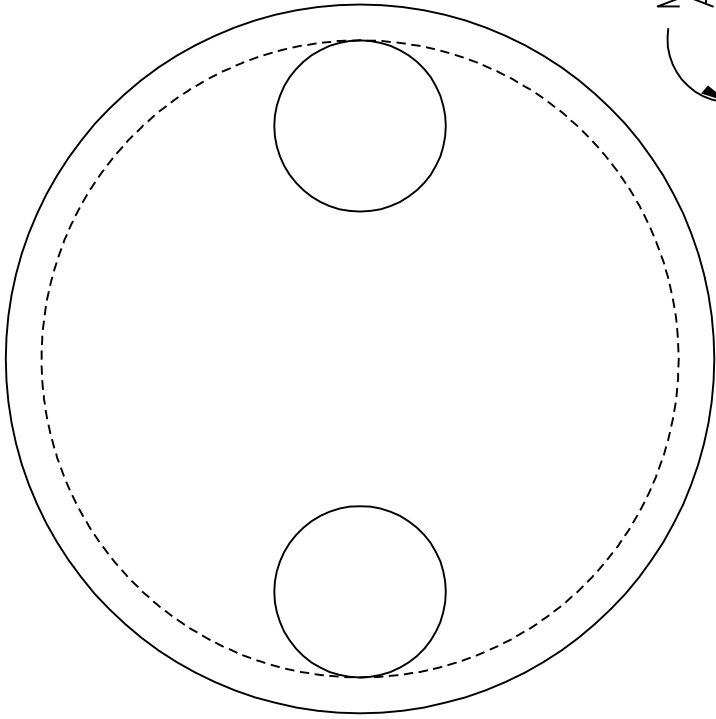
STANDARD SANITARY SEWER DRAWING NO. PS410-0



GAUGE TAP DETAIL

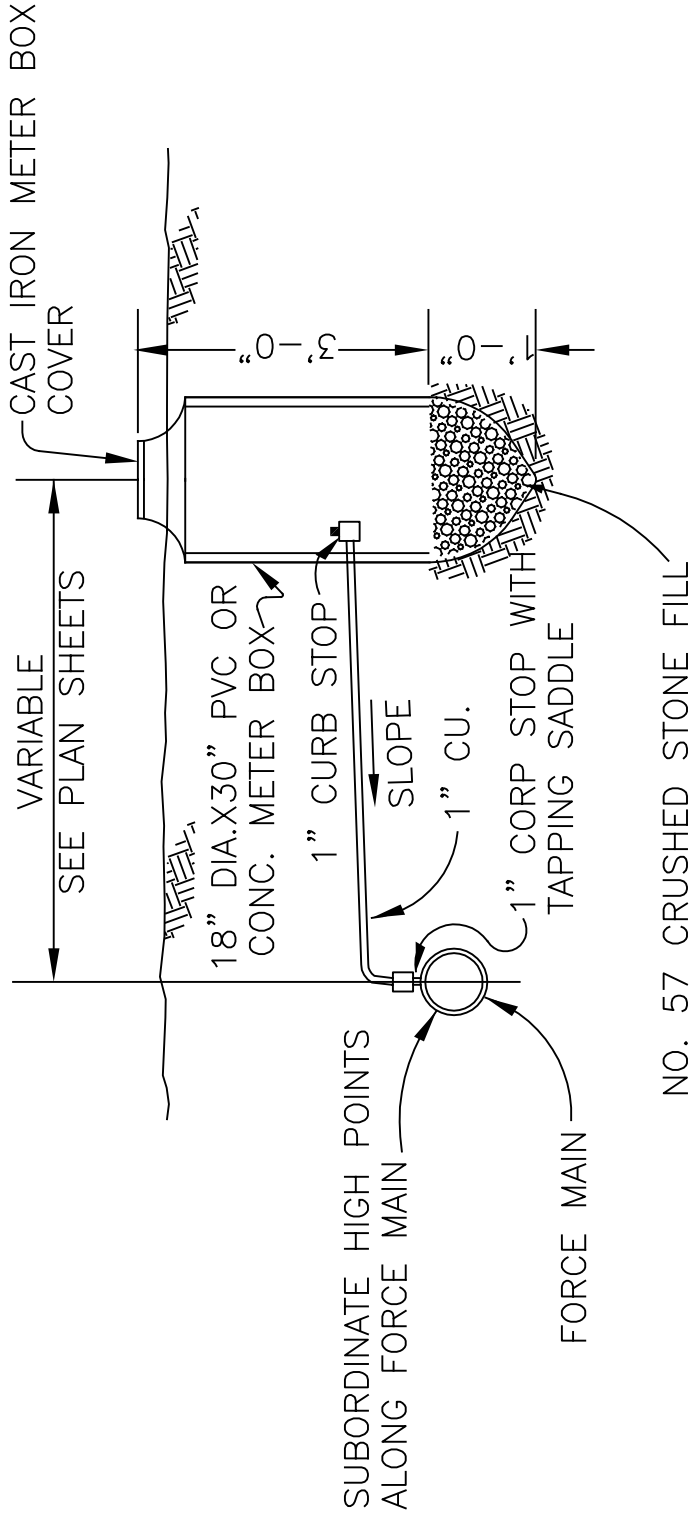
1/1/09

STANDARD SANITARY SEWER DRAWING NO. PS411-0



AUTOMATIC AIR
RELEASE ASSEMBLY

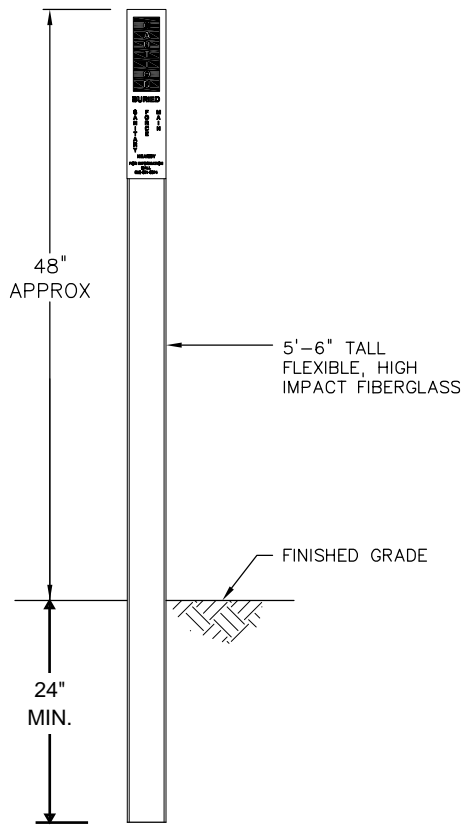
1/1/09



NO. 57 CRUSHED STONE FILL

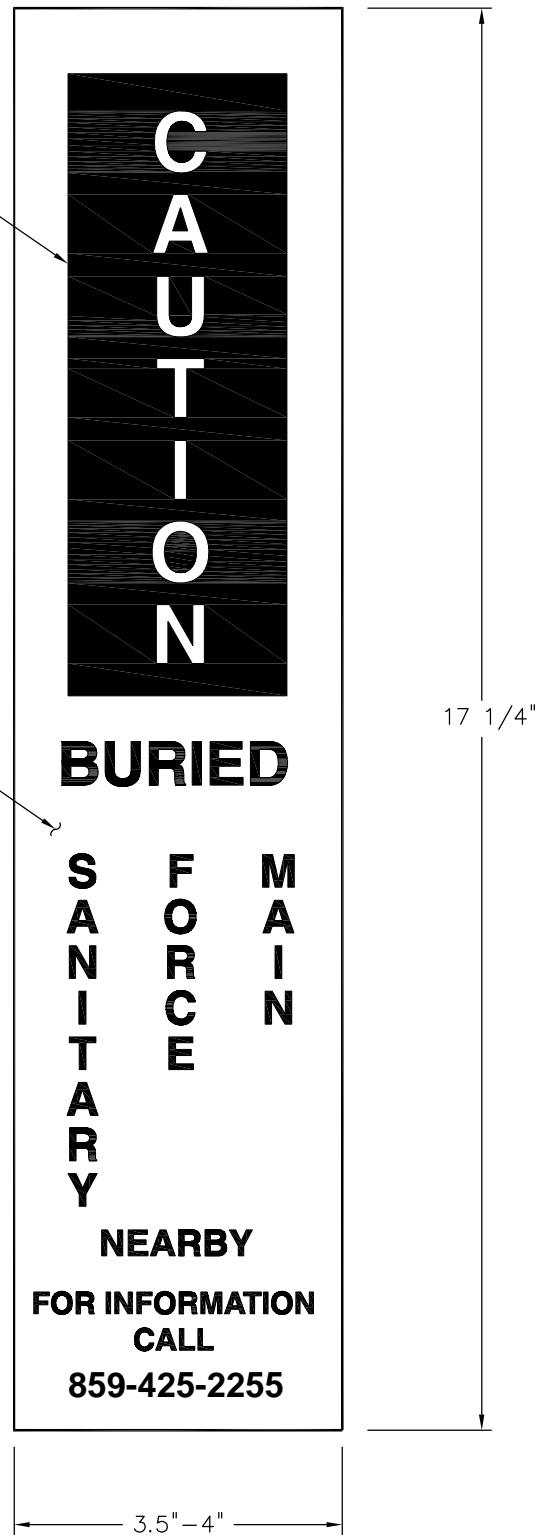
MANUAL AIR RELEASE
ASSEMBLY

1/1/09



BROWN

REFLECTIVE WHITE



FIBERGLASS FORCE MAIN
LINE MARKER