

COMMONWEALTH OF KENTUCKY  
TRANSPORTATION CABINET  
**UTILITY RELOCATION  
KEEP COST AGREEMENT  
PURSUANT TO KRS 179.265**

COUNTY, FEDERAL NUMBER: Fayette, STPM 3003 331  
UPN FD52 \_\_\_\_\_  
PROJECT NAME: Brighton Rail Trail Bridge  
ITEM NO. 07-3717

THIS UTILITY RELOCATION AGREEMENT is made and entered into by and between the Lexington Fayette Urban County Government, hereinafter called LFUCG, and *Kentucky Utilities Company, 500 Stone Road, Lexington, KY 40503*, hereinafter referred to as the *KU*.

**AGREEMENT PREMISES**

1. The LFUCG, in the interest of public safety and convenience, proposes to construct a bridge for the **Brighton Rail Trail Bridge** over Man O'War *Boulevard near Helmsdale Place*, a distance of approximately *0.1* miles as shown by the LFUCG's survey and general plan sheets, which are hereby made a part of this Agreement.
2. The subject project was authorized by TC 10-1, Official Order Authorization No. **73179 003**, dated **October 14, 2013**, subject to appropriate reimbursement by the Federal Highway Administration or LFUCG, which as pertains to this Agreement is in the amount of **\$208,090.00**.
3. The right of way for the proposed work for *Brighton Rail Trail Bridge* will pass over and include certain *Kentucky Utilities Company* facilities constructed and now maintained by *KU*.

4. The said facilities will be relocated as designed by **KU** and shown on the LFUCG's survey and general plan sheets.
5. The said facilities may be relocated upon highway right of way, with restrictions, or upon other private right of way to be obtained by **KU** or obtained by the LFUCG and granted to **KU**.
6. If required and applicable, the LFUCG will recommend approval of this project to the Federal Highway Administration for construction with funds apportioned to the LFUCG under the Federal Aid Highway Program, and Acts amendatory thereof and supplementary thereto, including Subpart A of 23 Code of Federal Regulations (CFR) 645.
7. **KU** is authorized herein to make the necessary removal, alterations or adjustments of its existing facilities with **KU's** regular engineering, Pike Engineering LLC (formerly UC Synergetic), construction, and maintenance forces. Said work is to be reimbursed with *one hundred (100)* Percent of the costs to be borne by the LFUCG and *zero (0)* Percent of the costs to be borne by **KU**.
8. If **KU** chooses to use a contractor or a subcontractor, **KU** is required to obtain prior LFUCG approval in writing pursuant to 23 CFR 645.109(a) and 23 CFR 645.115(a). The LFUCG reserves the right to refuse reimbursement for any and all costs associated with work performed by a contractor or subcontractor prior to their approval by the LFUCG. The LFUCG is hereby held harmless from all actions taken by a contractor or subcontractor related to **KU's** failure to acquire said

approvals. Said work is to be paid under a contract let by *KU*, adhering to the cost share stipulations described herein.

**The remainder of this page is intentionally left blank.**

### **SCOPE OF AGREEMENT**

**In consideration of the premises, the parties agree as follows:**

9. **KU**, with its regular construction or maintenance personnel, and/or with an approved contractor or subcontractor, will furnish all construction labor, equipment and materials to make and complete all necessary adjustments of its facilities to accommodate the proposed highway construction as shown in the attached plans and estimate, (Attachment A) and which by this reference is hereby made a part of this Agreement.
10. The estimated cost of relocating and/or adjusting on private right of way, (*See attachment for listing of reimbursable existing facilities*) is **\$208,090.00**, which is *one hundred (100)* Percent of the total cost (**\$208,090.00**) and is to be borne by the LFUCG as shown by the estimate attached hereto, shown in Attachment A.
11. If **KU** proposes to include betterment in this Agreement, all work directly pertaining to said betterment if any, is detailed in Attachment A and is not reimbursable.
12. The scope of work to be completed under this Agreement is listed in the attachment titled *Listing of Total Work Proposed*.
13. Once **KU** receives the authorization by the LFUCG to begin work, **KU** estimates that it will take approximately *ninety (90)* working days to complete the relocation of the facilities.
14. **KU** shall submit any change orders necessary to the LFUCG for consideration and approval before initiation of the work detailed in said change order. A change order shall be considered in the event there is a change in the scope of work, extra work

to be performed, or other major changes in the work covered by this Agreement. Said change order must be reasonably detailed and include proper itemizations from **KU**, computed in accordance with the methods and procedures set forth in Subpart A of 23 CFR 645. If **KU** fails to obtain prior approval of a change order from the LFUCG, the LFUCG has the right to refuse reimbursement of expenditures for such change order.

15. **KU** shall be reimbursed only for the cost of constructing the most economical type of facilities that satisfactorily meet the service requirements of the former facilities, previously located outside of public right of way. A certification to this effect shall be included in submittals for reimbursement for work performed and actual costs incurred.
16. On any relocation project, all work within the limits of the LFUCG's right-of-way, whether by force account or contract, shall be done in accordance with the Cabinet's Standards, Specifications, and Standard Drawings. All traffic control will be in accordance with Part VI of the *Manual on Uniform Traffic Control Devices*. Backfilling and bedding, if required and/or necessary, will be performed in accordance with the most recent version of the Roadway Drainage Installations (RDI) section of the Cabinet's *Division of Highway Design Standard Drawings*. Surface restoration, if required, will be performed in accordance with details as shown in the most recent version of the Cabinet's Standard Specifications for Road and Bridge Construction and the *Permits Manual*, or as directed by the LFUCG's engineer.

17. On any relocation project, the vertical clearance of overhead utilities shall be a minimum of eighteen (18) feet or in no case less than the clearance required by the National Electric Safety Code, American National Standards Institute, Institute of Electrical & Electronic Engineers, Inc.
18. On any relocation project, the vertical clearance of overhead utilities crossing the interstate or other limited access highway, roadways, and ramps shall be a minimum of twenty-four (24) feet as determined by the LFUCG, but in no case less than the clearance required by the National Electric Safety Code, American National Standards Institute, Institute of Electrical & Electronic Engineers, Inc.
19. The minimum depth for underground utilities on minor arterial routes is thirty six (36) inches under roadways, shoulders, ramps, and ditch lines and thirty (30) inches in all other areas within right-of-way. Exceptions may be made where a lesser depth will not interfere with the highway maintenance or safety. Exceptions shall include an engineering study that will be prepared and submitted by the permittee and approved by the LFUCG's engineer.

#### **RESPONSIBILITIES OF LFUCG**

20. The LFUCG will reimburse **KU** for the actual cost of the work upon presentation of invoices from **KU**. **KU** will compute costs by and in accordance with the methods and procedures set forth in Subpart A of 23 CFR 645. The method of developing the relocation costs is found in 23 CFR 645.117.
21. Itemized bills from **KU** will be in detail form that will meet the approval of the LFUCG and the Federal Highway Administration.

**Payments will be made on the following basis  
in accordance with 23 CFR 645.117:**

**Current Billings.** *KU* may submit current billings reflecting the actual cost incurred during any given work period, in which case, the current billings will be paid within thirty (30) business days after receipt of same by the LFUCG.

**Final Payment.** Upon completion of all said work and the submission of final itemized invoices and as-built drawings, *KU* shall provide one final and complete billing of all remaining costs incurred, within one year following completion of the utility relocation work performed by *KU* pursuant to this Agreement, otherwise previous payments to the utility shall be considered final, except as agreed to between the LFUCG and *KU*. The final billing will be forwarded for payment after review and approval of the Engineer and submitted to the Division of Engineering, it being understood, however, that the billings are subject to audit and verification by the KYTC, LFUCG and/or the Federal Highway Administration.

**ADDITIONAL REQUIREMENTS**

22. The LFUCG certifies that it is in compliance with the provisions of KRS 45A.695. "Access to contractor's books, documents, papers, records, or other evidence directly pertinent to the contract." The contractor, as defined in KRS 45A.030(9) agrees that the contracting agency, the Finance and Administration LFUCG, the Auditor of Public Accounts, and the Legislative Research Commission, or their duly authorized representatives, shall have access to any books, documents, papers, records, or other evidence, which are directly pertinent to this Agreement for the purpose of financial audit or program review. Records and other prequalification information confidentially disclosed as part of the bid process shall not be deemed as directly pertinent to the Agreement and shall be exempt from disclosure as provided in KRS 61.878(1)(c). *KU* also recognizes that any books, documents,

- papers, records, or other evidence, received during a financial audit or program review shall be subject to the Kentucky Open Records Act, KRS 61.870 to 61.884
23. In the event of a dispute between the contractor and the contracting agency, Attorney General, or the Auditor of Public Accounts over documents that are eligible for production and review, the Finance and Administration LFUCG shall review the dispute and issue a determination, in accordance with Secretary's Order 11-004. (See attachment)
  24. All records of **KU** pertaining to this project will be subject to inspection at any reasonable time by representatives of the LFUCG and/or the Federal Highway Administration, and shall be retained and maintained as prescribed in 23 CFR 645.117 (i)(3) and 49 CFR 18.42- *Retention and Access Requirements for Records*.
  25. Execution of this Agreement hereon is conditioned upon the acceptance of and agreement to the standard terms and conditions of the Cabinet Encroachment Permit (TC99-1) form revision in effect at the time of the execution of this Agreement, and this Cabinet Encroachment Permit (TC99-1) form revision is made a part of this agreement by this reference.
  26. The work of altering and maintaining **KU**'s facilities covered by this Agreement, at any time after they have been relocated by **KU** as herein provided, shall be done by **KU** at its sole expense except as may otherwise be provided by law. Such work as is necessary to install, alter, service and maintain any facilities within the LFUCG's right of way will be performed in accordance with policies and procedures prescribed by the Cabinet's Permits Manual and in such a manner as will ensure



the safety of the general public. Access from the through-traffic roadways and ramps for maintenance or servicing of utility facilities located on the LFUCG's right of way requires an encroachment permit except by permission of the District Engineer in an emergency situation.

27. **KU** shall comply with the 18 United States Code (U.S.C.) 874 Copeland "Anti-Kickback" Act as supplemented in Department of Labor regulations (29 CFR Part 3).
28. It is agreed by and between the parties hereto that 23 CFR 645 and supplements and amendments thereto form an essential part of this Agreement, and shall in no way be abrogated or superseded by the terms and provisions of this Agreement.
29. Limited to acts related to this Agreement, **KU** agrees to indemnify and hold harmless the LFUCG against any and all third-party claims, demands, obligations, or litigation, that result from: (1) any material breach of this Agreement by **KU**; (2) any and all negligent acts of **KU**; and (3) any policy, procedure, or employment practice of **KU** violating applicable, Federal, State, or local laws.
30. **KU** shall maintain adequate protection of all work from damage and shall protect the LFUCG's property from injury or loss arising in connection with this Agreement. **KU** shall make good any such damage, injury or loss, except such as may be directly caused by agents or employees of the LFUCG. **KU** shall adequately protect adjacent property as provided by law and this Agreement.
31. **KU** shall take all necessary precautions for the safety of employees on the work site and shall comply with all applicable provisions of Federal, State and municipal

safety laws and building codes to prevent accidents or injury to persons on, about or adjacent to the premises where the work is being performed. **KU** shall comply with all applicable Federal and State Occupational Safety and Health Administration (OSHA) standards including 23 CFR 634 and Kentucky Revised Statutes (KRS) Chapter 338.

32. KRS 45A.480 requires **KU** to comply with the LFUCG's requirements pertaining to workers' compensation insurance and unemployment insurance. By execution of this agreement, **KU** agrees that all contractors and subcontractors employed, or to be employed in connection with this Agreement shall be in compliance with Kentucky requirements for Workers' Compensation Insurance KRS Chapter 342 and Unemployment Insurance KRS Chapter 341.
33. By execution of this Agreement, **KU** is agreeing that the scope of this Agreement shall be in compliance with all applicable Federal, State and local laws, regulations and mandates. Compliance as described herein includes, but not exclusively, environmental regulations such as: Section 306 of the Clean Air Act (42 U.S.C. 1857(h)); Section 508 of the Clean Water Act (33 U.S.C. 1368); Executive Order 11738; and Environmental Protection Agency regulations (40 CFR Part 15).
34. To the extent applicable to this agreement, **KU** shall comply with the Buy America requirements (as specified in 23 U.S.C. 313 and 23 CFR 635.410) if the utility work uses any amount of Federal Aid Highway Program (FAHP) funding. **KU** is not required to change its existing standards for materials as long as the Buy America requirements are met. Buy America requirements take precedence over regulations

pertaining to the accommodation or relocation of *KU's* facilities (as specified in 23 CFR 645) on contracts or agreements involving FAHP funding and over regulations which allow *KU* to furnish materials from company stock (as specified in 23 CFR 645.117(e)). Company stock materials that do not meet Buy America requirements may not be permanently incorporated into an FAHP funded project. *KU* must provide a definitive statement that all products, permanently incorporated into the project are covered under the Buy America requirements. This requirement is fulfilled via proper signature and submission of the statement of charges form. In some circumstances, a waiver of the Buy America requirements may be granted by the Federal Highway Administration, to be determined on a project-by-project basis. If the accommodation or relocation of *KU's* facilities uses only State or local funding, the Buy America requirements do not apply.

35. The Commonwealth of Kentucky and the LFUCG are prohibited from contracting with firms that utilize the services of illegal immigrants in the performance of a contract of goods, services or construction purposes and the performance of a contract with the Commonwealth. By execution of this Agreement, *KU* agrees not to hire any illegal immigrants itself and to take commercially reasonable measures to ensure that its contractors and their subcontractors not utilize the services of illegal immigrants.
36. The LFUCG may terminate this Agreement if funds are not appropriated to the contracting agency or are not otherwise available for the purpose of making payments without incurring any obligation for payment after the date of

termination, regardless of the terms of the Agreement. The state agency shall provide the contractor thirty (30) calendar days written notice of termination of the Agreement.

37. The LFUCG reserves the right in its sole discretion to demand that **KU** and all subcontractors immediately cease any portion of, or all further work undertaken within the scope of work of this agreement. Any authorized services performed, materials used or installed to the satisfaction of the LFUCG before the demand to cease any or all further work shall be paid in accordance with the terms of the section entitled "Responsibilities of the LFUCG". The LFUCG shall thereafter authorize **KU** in writing to undertake only minimal, reasonable and necessary additional work or services and acquire, expend, use or install only minimal, reasonable and necessary additional materials to reestablish the original use and function of their facility.
38. **KU** affirms that it is properly authorized under the laws of the Commonwealth of Kentucky to conduct business in this state and will remain in good standing to do business in the Commonwealth of Kentucky for the duration of any Agreement awarded. **KU** shall maintain certification of authority to conduct business in the Commonwealth of Kentucky during the term of this Agreement. Such registration is obtained from the Secretary of State, who will also provide the certification thereof.
39. This Agreement shall be governed by and shall be construed in accordance with the laws of the Commonwealth of Kentucky. In the event that any one or more of the

provisions contained herein shall, for any reason, be held to be invalid, illegal or unenforceable in any respect, such invalidity, illegality or unenforceability shall not affect any other provisions of this agreement, but this agreement shall be construed as if such invalid, illegal, or unenforceable provisions had never been contained herein, unless the deletion of such provision or provisions would result in such a material change so as to cause completion of the transactions contemplated herein to be unreasonable.

**The remainder of this page is intentionally left blank.**

**AGREEMENT EXECUTION**

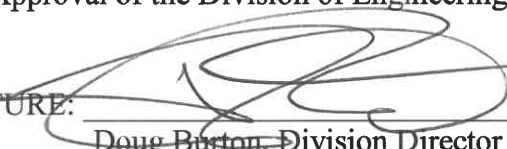
By the execution of this Agreement, the Parties warrant that they have fully read this Agreement, and agree to the terms and conditions. **KU** warrants that the existing *facility type* facilities identified have been verified, said facilities must be relocated due to the referenced LFUCG project, and the relocation of said facilities are reimbursable as defined in KRS 179.265. The LFUCG warrants that all reimbursable costs invoiced will be paid as defined herein.

**IN WITNESS WHEREOF**, the parties have executed this Agreement by their duly authorized officers.

This the \_\_\_\_\_ day of \_\_\_\_\_ 2019.

**LFUCG APPROVALS**

Approval of the Division of Engineering

SIGNATURE:  \_\_\_\_\_  
Doug Burton, Division Director

Approval of the LFUCG

SIGNATURE: \_\_\_\_\_  
Linda Gorton, Mayor


DATE: \_\_\_\_\_

Approved Form and Legality

SIGNATURE: \_\_\_\_\_

DATE: \_\_\_\_\_  
Office of Legal Services

Approval of *Kentucky Utilities Company*

SIGNATURE:  \_\_\_\_\_ DATE: 1/8/19

TITLE: \_\_\_\_\_  
Thomas Appel  
Manager, Distribution Operations  
Kentucky Utilities Company



Steven L. Beshear  
Governor

Commonwealth of Kentucky  
Finance and Administration Cabinet  
**OFFICE OF THE SECRETARY**  
Room 383, Capitol Annex  
702 Capital Avenue  
Frankfort, KY 40601-3462  
(502) 564-4240  
Fax (502) 564-6785

Lori H. Flanery  
Secretary

**SECRETARY'S ORDER 11-004**

**FINANCE AND ADMINISTRATION CABINET**

**Vendor Document Disclosure**

**WHEREAS**, in order to promote accountability and transparency in governmental operations, the Finance and Administration Cabinet believes that a formal review process should be created whereby the Finance and Administration Cabinet would provide oversight and direction to an agency of the Commonwealth that is in a dispute with a vendor regarding documents that it believes are being improperly withheld by the vendor and are necessary to conduct a thorough review of the vendor's activities pursuant to said contract; and

**WHEREAS**, KRS 42.014 and KRS 12.270 authorizes the Secretary of the Finance and Administration Cabinet to establish the internal organization and assignment of functions which are not established by statute relating to the Finance and Administration Cabinet; further, KRS Chapter 45A.050 and 45A.230 authorizes the Secretary of the Finance and Administration Cabinet to procure, manage and control all supplies and services that are procured by the Commonwealth and to intervene in controversies among vendors and state agencies; and

**NOW, THEREFORE**, pursuant to the authority vested in me by KRS 42.014, KRS 12.270, KRS 45A.050, 45A.230, and 200 KAR 5:314, I, Lori H. Flanery, Secretary of the Finance and Administration Cabinet, do hereby order and direct the following:

- I. Upon the filing of a Petition for Determination with the Finance and Administration Cabinet by an agency of the Commonwealth, the Finance and Administration Cabinet ("FAC") shall formally review any dispute arising where the agency has requested documents from a vendor that holds a state contract and the vendor has refused access to said documents under a claim that said documents are not directly pertinent or relevant to the agency's inquiry upon which the document request was predicated.
- II. Upon the filing of a Petition for Determination from an agency of the Commonwealth, the FAC shall formally review any situation where the agency has requested documents that the agency deems necessary to conduct audits,

investigations or any other formal inquiry and a dispute has arisen as to what documents are necessary to conclude the inquiry.

- III. Upon the filing of a Petition for Determination by an agency of the Commonwealth pursuant to Section I or Section II, the FAC shall consider the request from the Executive Branch agency and the position of the vendor or party opposing the disclosure of the documents, applying any and all relevant law to the facts and circumstances of the matter in controversy. After FAC's review is complete, FAC shall issue a Determination which sets out FAC's position as to what documents and/or records, if any, should be disclosed to the requesting agency. The Determination shall be issued within 30 days of receipt of the request from the agency. This time period may be extended for good cause.
- IV. If the Determination concludes that documents are being wrongfully withheld by the vendor or other party opposing the disclosure from the state agency, the private vendor shall immediately comply with the FAC's Determination. Should the vendor or other party refuse to comply with FAC's Determination, then the FAC, in concert with the requesting agency, shall pursue any and all options that it possesses to obtain the documents in question, including, but not limited to the following:
  - a. Initiating discussions with the vendor to obtain the documents determined to be necessary for the inquiry;
  - b., Terminating the vendor's contract; or
  - c. Filing an action jointly or singularly against the vendor in a court of appropriate jurisdiction to obtain a court order mandating the disclosure of the documents determined to be necessary for the inquiry.
- V. Any provisions of any prior Order that conflicts with the provisions of this Order shall be deemed null and void.

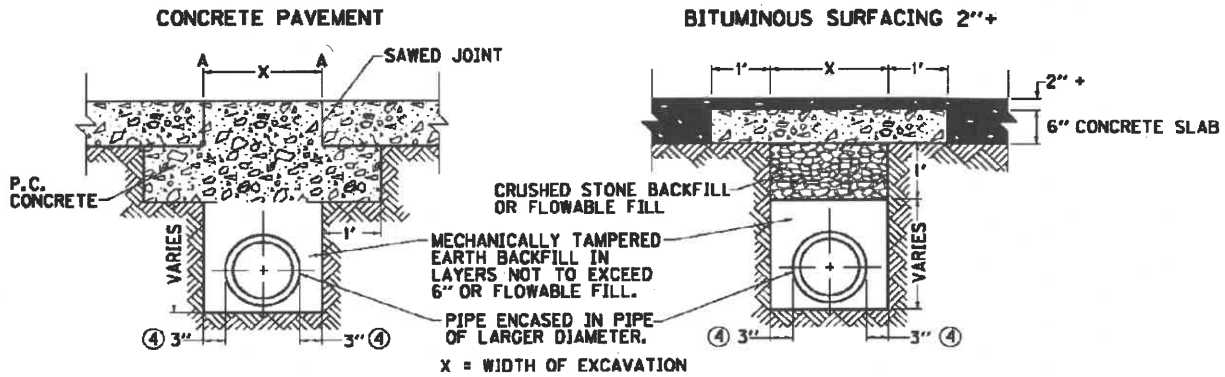
THIS ORDER SHALL BECOME EFFECTIVE UPON EXECUTION.



COMMONWEALTH OF KENTUCKY  
 TRANSPORTATION CABINET  
 DEPARTMENT OF HIGHWAYS  
 DIVISION OF TRAFFIC  
 TYPICAL HIGHWAY BORING CROSSING DETAIL

TC 99.13  
 REV 2/95

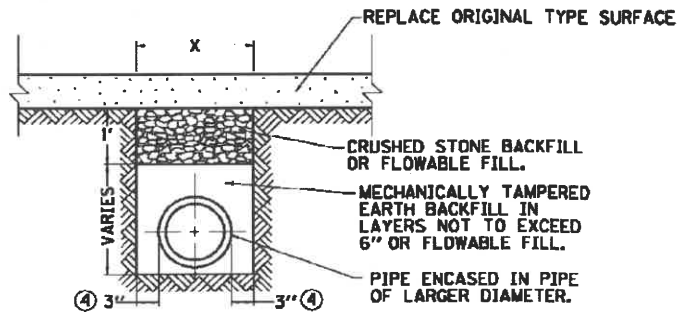
**SURFACE RESTORATION METHODS**



REPLACE CONCRETE PAVEMENT WITH NEW PAVEMENT SAME THICKNESS OF EXISTING PAVEMENT.

REPAVE BITUMINOUS PAVEMENT WITH THE SAME TYPE AND DEPTH AS EXISTING PAVEMENT.

**BITUMINOUS SURFACE LESS THAN 2" AND TRAFFIC BOUND MACADAM**



**NOTE:**

1. DISTANCE FROM POINTS "A" (CONCRETE PAVEMENT) TO NEAREST JOINT OR BREAK IN PAVEMENT MUST BE SIX (6) FEET OR MORE. IF LESS THAN SIX (6) FEET, REMOVE PAVEMENT TO JOINT OR BREAK AND REPLACE ENTIRE SLAB.
2. CONCRETE SLAB UNDER BITUMINOUS SURFACE TO EXTEND TWELVE (12) INCHES ON EACH SIDE OF TRENCH.
3. AN APPROVED JOINT SEALER TO BE APPLIED BETWEEN NEW AND EXISTING PAVEMENT.
- ④ 3" MIN. EACH SIDE OF PIPE WITH USE OF FLOWABLE FILL.

**KENTUCKY UTILITIES**

**Customer Quotation**

WR # 6113416

Date: 01/03/2019

Time: 08:59 AM

Design Revision #: 1

Premise No:

WR Name: BRIGHTON BRIDGE TRAIL PRIMARY RELOCATION JOB

Quote Number: 6113416-1

Job Address: 3099 HELMSDALE PL

Quote Date: 01/03/2019

LEXINGTON KY 40509

Description: QUALIFY PUBLIC WORK OVERHEAD

<u>Description</u>	<u>Quantity</u>	<u>Unit Cost</u>	<u>Refundable?</u>	<u>Cost</u>
OH Facilities Relocation	1	208090	No	208090.00
				208090.00
Total Tax				0.00
<b>TOTAL INCLUDING TAX</b>				<b>208090.00</b>
Total Refundable:				0.00
Total Non-Refundable:				208090.00

The following costs allocate the Total Charges based on percentages from the current estimate for the work request

<u>Project</u>	<u>Task</u>	<u>Expense Type</u>	<u>Cost</u>
CPBWK315	6113416R02	0675	104045.00
CPBWK315	6113416I01	0676	104045.00
Total:			208090.00

Comments: Relocate KU distribution lines out of construction limits of the proposed Brighton Trail Bridge job from the west of Bryant Rd substation across Man O War to 3109 Weymouth Ct.

Prepared By: OAKLEY, JOSEPH G

Approved By:

Joe Oakley

Date:

1/3/19

The costs of services provided by KU are an estimate and are valid for 90 days from the quote date.

KU reserves the right to bill on a cost plus overhead basis where significant additional costs are apparent.



Cost Estimate - Design

WR #: 6113416

WR Name: BRIGHTON BRIDGE TRAIL PRIMARY  
RELOCATION JOB

12/18/2018

WR Type: ENPBWKN

Job Address: 3099 HELMSDALE PL

2:44:17 PM

Project: CPBWK315

LEXINGTON, KY 40509

Design Revision #: 1

Job Description: QUALIFY PUBLIC WORK OVERHEAD

<u>CU ID</u>	<u>ACTION CODE</u>	<u>QUANTITY</u>	<u>MATERIAL</u>	<u>LABOR</u>	<u>EQUIPMENT</u>	<u>OTHER</u>	<u>OVERHEAD</u>	<u>TOTAL</u>
AA--GS--TREE TRIMMING, DITCHING, AND BACKFILLING	Voucher	1.00	0.00	0.00	0.00	3500.00	460.00	3960.00
ANC716EHSDG/10/20K6I KU	Install	31.00	3293.00	2443.00	0.00	0.00	3633.00	9369.00
ANC716EHSDG/10/20K6I KU	Scrap	23.00	0.00	212.00	0.00	0.00	246.00	457.00
ARR9KPOLYNOMAP KU	Install	28.00	801.00	392.00	0.00	0.00	649.00	1842.00
ARR9KPOLYNOMAP KU	Scrap	20.00	0.00	280.00	0.00	0.00	325.00	605.00
ARR9KPOLYNOMAP KU	Transfer	1.00	0.00	29.00	0.00	0.00	33.00	62.00
BKTMIF18FG KU	Install	1.00	24.00	20.00	0.00	0.00	29.00	73.00
BKTMIF18FG KU	Scrap	4.00	0.00	80.00	0.00	0.00	93.00	173.00
BKTMIF18FG KU	Transfer	1.00	0.00	30.00	0.00	0.00	35.00	65.00
BKTMIF18FG3C/OMNT KU	Install	3.00	213.00	180.00	0.00	0.00	260.00	653.00
BKTSPCBLANG KU	Install	4.00	364.00	101.00	0.00	0.00	205.00	670.00
BKTSPCBLANG KU	Scrap	5.00	0.00	126.00	0.00	0.00	146.00	272.00
BKTSPCBLANGDC KU	Install	1.00	155.00	16.00	0.00	0.00	57.00	228.00

Cost Estimate - Design

WR #: 6113416

WR Name: BRIGHTON BRIDGE TRAIL PRIMARY  
RELOCATION JOB

12/18/2018

WR Type: ENPBWKN

Job Address: 3099 HELMSDALE PL

2:44:17 PM

Project: CPBWK315

LEXINGTON, KY 40509

Design Revision #: 1

Job Description: QUALIFY PUBLIC WORK OVERHEAD

<u>CU ID</u>	<u>ACTION CODE</u>	<u>QUANTITY</u>	<u>MATERIAL</u>	<u>LABOR</u>	<u>EQUIPMENT</u>	<u>OTHER</u>	<u>OVERHEAD</u>	<u>TOTAL</u>
BKTSPCBLASF24 KU	Install	9.00	231.00	132.00	0.00	0.00	209.00	572.00
BKTSPCBLASF24 KU	Scrap	1.00	0.00	12.00	0.00	0.00	14.00	25.00
BKTSPCBLTMS24 KU	Install	9.00	717.00	130.00	0.00	0.00	324.00	1171.00
BKTSPCBLTMS24 KU	Scrap	1.00	0.00	12.00	0.00	0.00	13.00	25.00
BKTSTOFF12X16 KU	Install	17.00	207.00	148.00	0.00	0.00	221.00	576.00
BKTSTOFF12X16 KU	Scrap	18.00	0.00	156.00	0.00	0.00	182.00	338.00
CLAMPSPCBLMESSINSCMA 2 KU	Install	6.00	157.00	0.00	0.00	0.00	38.00	195.00
CLAMPSPCBLMESSINSCMA 2 KU	Scrap	7.00	0.00	0.00	0.00	0.00	0.00	0.00
COMAP100ALDBK15KV KU	Install	3.00	327.00	31.00	0.00	0.00	115.00	474.00
COMAP200ALDBK15KV KU	Install	6.00	1042.00	62.00	0.00	0.00	324.00	1429.00
COMAP200ALDBK15KV KU	Scrap	9.00	0.00	94.00	0.00	0.00	109.00	202.00
CONOM100ALB15KV KU	Transfer	1.00	0.00	24.00	0.00	0.00	27.00	51.00
CONOM100ANLB15KV KU	Scrap	2.00	0.00	21.00	0.00	0.00	24.00	45.00

Cost Estimate - Design

WR #: 6113416

WR Name: BRIGHTON BRIDGE TRAIL PRIMARY  
RELOCATION JOB

12/18/2018

WR Type: ENPBWKN

Job Address: 3099 HELMSDALE PL

2:44:17 PM

Project: CPBWK315

LEXINGTON, KY 40509

Design Revision #: 1

Job Description: QUALIFY PUBLIC WORK OVERHEAD

<u>CU ID</u>	<u>ACTION CODE</u>	<u>QUANTITY</u>	<u>MATERIAL</u>	<u>LABOR</u>	<u>EQUIPMENT</u>	<u>OTHER</u>	<u>OVERHEAD</u>	<u>TOTAL</u>
CONOM200ANLB15KV KU	Install	1.00	124.00	10.00	0.00	0.00	42.00	176.00
CT102.5S40 KU	Install	40.00	41.00	21.00	0.00	0.00	34.00	96.00
CT102.5S40 KU	Scrap	20.00	0.00	9.00	0.00	0.00	10.00	19.00
CT102.5S80 KU	Install	20.00	32.00	10.00	0.00	0.00	20.00	62.00
CT102.5S80 KU	Scrap	40.00	0.00	18.00	0.00	0.00	20.00	38.00
CT102S40 KU	Install	20.00	13.00	10.00	0.00	0.00	15.00	39.00
CT102S40 KU	Scrap	80.00	0.00	35.00	0.00	0.00	41.00	76.00
CT103S40 KU	Scrap	20.00	0.00	9.00	0.00	0.00	10.00	19.00
CT103S80 KU	Scrap	10.00	0.00	4.00	0.00	0.00	5.00	10.00
CT104S40 KU	Install	540.00	945.00	454.00	0.00	0.00	755.00	2154.00
CT104S40 KU	Scrap	40.00	0.00	30.00	0.00	0.00	35.00	66.00
CT104S80 KU	Install	30.00	84.00	25.00	0.00	0.00	50.00	159.00
CT104S80 KU	Scrap	20.00	0.00	15.00	0.00	0.00	18.00	33.00

Cost Estimate - Design

WR #: 6113416

WR Name: BRIGHTON BRIDGE TRAIL PRIMARY  
RELOCATION JOB

12/18/2018

WR Type: ENPBWKN

Job Address: 3099 HELMSDALE PL

2:44:17 PM

Project: CPBWK315

LEXINGTON, KY 40509

Design Revision #: 1

Job Description: QUALIFY PUBLIC WORK OVERHEAD

<u>CU ID</u>	<u>ACTION CODE</u>	<u>QUANTITY</u>	<u>MATERIAL</u>	<u>LABOR</u>	<u>EQUIPMENT</u>	<u>OTHER</u>	<u>OVERHEAD</u>	<u>TOTAL</u>
CTEL2.5S4024 KU	Install	2.00	13.00	8.00	0.00	0.00	12.00	33.00
CTEL3S4024 KU	Install	1.00	8.00	4.00	0.00	0.00	6.00	18.00
CTEL4S4036 KU	Install	4.00	64.00	21.00	0.00	0.00	40.00	124.00
FTENCL3PFG1CUP KU	Install	1.00	594.00	98.00	0.00	0.00	257.00	948.00
FTJUNC3POS KU	Install	3.00	308.00	105.00	0.00	0.00	196.00	608.00
FULINKQA050A KU	Install	3.00	10.00	0.00	0.00	0.00	2.00	13.00
FULINKQA050A KU	Scrap	3.00	0.00	0.00	0.00	0.00	0.00	0.00
GNDDRIVEN KU	Install	2.00	27.00	31.00	0.00	0.00	43.00	101.00
GNDROD KU	Install	17.00	227.00	265.00	0.00	0.00	363.00	856.00
GNDROD KU	Scrap	9.00	-3.00	0.00	0.00	0.00	0.00	-3.00
GRIPDE795SPACER KU	Install	39.00	1316.00	0.00	0.00	0.00	318.00	1634.00
GRIPDE795SPACER KU	Scrap	15.00	0.00	0.00	0.00	0.00	0.00	0.00
GRIPMESS7/6 KU	Install	13.00	202.00	0.00	0.00	0.00	49.00	251.00

Cost Estimate - Design

WR #: 6113416

WR Name: BRIGHTON BRIDGE TRAIL PRIMARY  
RELOCATION JOB

12/18/2018

WR Type: ENPBWKN

Job Address: 3099 HELMSDALE PL

2:44:17 PM

Project: CPBWK315

LEXINGTON, KY 40509

Design Revision #: 1

Job Description: QUALIFY PUBLIC WORK OVERHEAD

<u>CU ID</u>	<u>ACTION CODE</u>	<u>QUANTITY</u>	<u>MATERIAL</u>	<u>LABOR</u>	<u>EQUIPMENT</u>	<u>OTHER</u>	<u>OVERHEAD</u>	<u>TOTAL</u>
GRIPMESS7/6 KU	Scrap	5.00	0.00	0.00	0.00	0.00	0.00	0.00
GUYGUARD KU	Install	6.00	18.00	26.00	0.00	0.00	35.00	80.00
GUYSPAN7/16I KU	Install	394.00	303.00	0.00	0.00	0.00	73.00	377.00
GUYSPAN7/16I KU	Scrap	144.00	0.00	0.00	0.00	0.00	0.00	0.00
GUYSPANHDWLAB3/8I6I KU	Scrap	1.00	0.00	12.00	0.00	0.00	13.00	25.00
GUYSPANHDWLAB7/16I6I KU	Install	4.00	74.00	106.00	0.00	0.00	141.00	321.00
INSDBLINSPLATE KU	Install	6.00	91.00	98.00	0.00	0.00	136.00	326.00
INSDBLINSPLATE KU	Scrap	6.00	0.00	79.00	0.00	0.00	92.00	171.00
INSEXTLINKFG KU	Install	12.00	156.00	139.00	0.00	0.00	199.00	494.00
INSEXTLINKFG KU	Scrap	12.00	0.00	139.00	0.00	0.00	162.00	301.00
INSPINPOLY KU	Install	48.00	212.00	77.00	0.00	0.00	140.00	429.00
INSPINPOLY KU	Scrap	30.00	0.00	48.00	0.00	0.00	56.00	104.00
INSPINPOR KU	Scrap	12.00	0.00	19.00	0.00	0.00	22.00	42.00



Cost Estimate - Design

WR #: 6113416

WR Name: BRIGHTON BRIDGE TRAIL PRIMARY  
RELOCATION JOB

12/18/2018

WR Type: ENPBWKN

Job Address: 3099 HELMSDALE PL

2:44:17 PM

Project: CPBWK315

LEXINGTON, KY 40509

Design Revision #: 1

Job Description: QUALIFY PUBLIC WORK OVERHEAD

<u>CU ID</u>	<u>ACTION CODE</u>	<u>QUANTITY</u>	<u>MATERIAL</u>	<u>LABOR</u>	<u>EQUIPMENT</u>	<u>OTHER</u>	<u>OVERHEAD</u>	<u>TOTAL</u>
INSSPACER KU	Install	54.00	854.00	756.00	0.00	0.00	1084.00	2694.00
INSSUSPPOLY KU	Install	62.00	524.00	1414.00	0.00	0.00	1769.00	3706.00
INSSUSPPOLY KU	Scrap	38.00	0.00	699.00	0.00	0.00	812.00	1512.00
LABADDERCONDENS KU	Install	5576.00	0.00	535.00	0.00	0.00	622.00	1157.00
LABADDERHOTARM KU	Install	18.00	0.00	1562.00	0.00	0.00	1815.00	3378.00
LABADDEROHWORK KU	Install	122.00	0.00	4880.00	0.00	0.00	5670.00	10550.00
LABENGR KU	Install	290.00	0.00	11600.00	0.00	0.00	13478.00	25078.00
LABFLAGGINGTRAFFIC KU	Install	4.00	0.00	160.00	0.00	0.00	186.00	346.00
LABMECHJMPR KU	Install	36.00	0.00	1642.00	0.00	0.00	1907.00	3549.00
LABPOLETOP KU	Scrap	18.00	0.00	778.00	0.00	0.00	903.00	1681.00
LABROCKDRILLTRK KU	Install	126.00	0.00	18144.00	0.00	0.00	21082.00	39226.00
LABTRANSFERPRI/SEC KU	Transfer	92.00	0.00	2392.00	0.00	0.00	2779.00	5171.00
LABTRAVELTIME1HR KU	Install	60.00	0.00	2400.00	0.00	0.00	2789.00	5189.00

Cost Estimate - Design

WR #: 6113416

WR Name: BRIGHTON BRIDGE TRAIL PRIMARY  
RELOCATION JOB

12/18/2018

WR Type: ENPBWKN

Job Address: 3099 HELMSDALE PL

2:44:17 PM

Project: CPBWK315

LEXINGTON, KY 40509

Design Revision #: 1

Job Description: QUALIFY PUBLIC WORK OVERHEAD

<u>CU ID</u>	<u>ACTION CODE</u>	<u>QUANTITY</u>	<u>MATERIAL</u>	<u>LABOR</u>	<u>EQUIPMENT</u>	<u>OTHER</u>	<u>OVERHEAD</u>	<u>TOTAL</u>
PEDUGSECPL KU	Install	1.00	79.00	25.00	0.00	0.00	48.00	151.00
PININSPTP15 KU	Scrap	1.00	0.00	8.00	0.00	0.00	9.00	16.00
PININXA5/8X6N KU	Install	45.00	185.00	72.00	0.00	0.00	128.00	385.00
PININXA5/8X6N KU	Scrap	11.00	0.00	18.00	0.00	0.00	20.00	38.00
PLWDCCA30C6 KU	Scrap	1.00	-1.00	91.00	0.00	0.00	106.00	196.00
PLWDCCA40C1 KU	Install	1.00	340.00	126.00	0.00	0.00	228.00	693.00
PLWDCCA45C2 KU	Scrap	1.00	-2.00	91.00	0.00	0.00	106.00	196.00
PLWDCCA45C3 KU	Install	4.00	1288.00	502.00	0.00	0.00	894.00	2685.00
PLWDCCA45C3 KU	Scrap	1.00	-2.00	91.00	0.00	0.00	106.00	196.00
PLWDCCA50C2 KU	Install	2.00	842.00	251.00	0.00	0.00	495.00	1588.00
PLWDCCA50C2 KU	Scrap	1.00	-2.00	91.00	0.00	0.00	106.00	195.00
PLWDCCA55C1 KU	Install	3.00	1623.00	377.00	0.00	0.00	829.00	2829.00
PLWDCCA55C1 KU	Scrap	1.00	-2.00	91.00	0.00	0.00	106.00	195.00

Cost Estimate - Design

WR #: 6113416

WR Name: BRIGHTON BRIDGE TRAIL PRIMARY  
RELOCATION JOB

12/18/2018

WR Type: ENPBWKN

Job Address: 3099 HELMSDALE PL

2:44:17 PM

Project: CPBWK315

LEXINGTON, KY 40509

Design Revision #: 1

Job Description: QUALIFY PUBLIC WORK OVERHEAD

<u>CU ID</u>	<u>ACTION CODE</u>	<u>QUANTITY</u>	<u>MATERIAL</u>	<u>LABOR</u>	<u>EQUIPMENT</u>	<u>OTHER</u>	<u>OVERHEAD</u>	<u>TOTAL</u>
PLWDCCA55C2 KU	Install	1.00	479.00	126.00	0.00	0.00	261.00	866.00
PLWDCCA55C2 KU	Scrap	1.00	-2.00	91.00	0.00	0.00	106.00	195.00
PLWDCCA60C1 KU	Install	3.00	2137.00	1170.00	0.00	0.00	1875.00	5182.00
PLWDCRE45C3 KU	Scrap	1.00	0.00	91.00	0.00	0.00	106.00	197.00
PLWDCRE50C2 KU	Scrap	2.00	0.00	182.00	0.00	0.00	212.00	394.00
POLEBANDMED KU	Install	23.00	1194.00	580.00	0.00	0.00	961.00	2735.00
POLEBANDMED KU	Scrap	13.00	0.00	229.00	0.00	0.00	266.00	495.00
PRIAL1/0UG3C KU	Install	590.00	2608.00	472.00	0.00	0.00	1178.00	4257.00
PRIAL2/0BARE KU	Install	204.00	55.00	52.00	0.00	0.00	74.00	181.00
PRIAL2/0BARE KU	Scrap	228.00	-10.00	16.00	0.00	0.00	19.00	25.00
PRIAL2/0UG3C KU	Scrap	360.00	-166.00	288.00	0.00	0.00	338.00	461.00
PRIAL2BARE KU	Install	68.00	10.00	17.00	0.00	0.00	23.00	50.00
PRIAL2BARE KU	Scrap	76.00	-2.00	5.00	0.00	0.00	6.00	10.00

Cost Estimate - Design

WR #: 6113416

WR Name: BRIGHTON BRIDGE TRAIL PRIMARY  
RELOCATION JOB

12/18/2018

WR Type: ENPBWKN

Job Address: 3099 HELMSDALE PL

2:44:17 PM

Project: CPBWK315

LEXINGTON, KY 40509

Design Revision #: 1

Job Description: QUALIFY PUBLIC WORK OVERHEAD

<u>CU ID</u>	<u>ACTION CODE</u>	<u>QUANTITY</u>	<u>MATERIAL</u>	<u>LABOR</u>	<u>EQUIPMENT</u>	<u>OTHER</u>	<u>OVERHEAD</u>	<u>TOTAL</u>
PRIAL2UG3C KU	Scrap	150.00	-42.00	120.00	0.00	0.00	140.00	218.00
PRIAL397BARE KU	Scrap	20.00	-2.00	3.00	0.00	0.00	3.00	3.00
PRIAL76MESS KU	Install	1316.00	858.00	2169.00	0.00	0.00	2727.00	5754.00
PRIAL76MESS KU	Scrap	1165.00	0.00	1244.00	0.00	0.00	1446.00	2690.00
PRIAL795DBARE KU	Scrap	60.00	-16.00	8.00	0.00	0.00	9.00	1.00
PRIAL795SPCBL KU	Install	3948.00	10818.00	2164.00	0.00	0.00	5124.00	18105.00
PRIAL795SPCBL KU	Scrap	3495.00	-815.00	1244.00	0.00	0.00	1463.00	1892.00
RACK1W KU	Install	5.00	23.00	30.00	0.00	0.00	40.00	94.00
RACK1W KU	Scrap	4.00	0.00	13.00	0.00	0.00	15.00	28.00
SECAL2UGT KU	Install	20.00	12.00	10.00	0.00	0.00	15.00	37.00
SWABMAP15900HORZ KU	Install	1.00	3480.00	519.00	0.00	0.00	1443.00	5441.00
TERMEL1/0A KU	Install	15.00	428.00	554.00	0.00	0.00	747.00	1728.00
TERMEL1/0A KU	Scrap	3.00	0.00	111.00	0.00	0.00	129.00	239.00

Cost Estimate - Design

WR #: 6113416

WR Name: BRIGHTON BRIDGE TRAIL PRIMARY  
RELOCATION JOB

12/18/2018

WR Type: ENPBWKN

Job Address: 3099 HELMSDALE PL

2:44:17 PM

Project: CPBWK315

LEXINGTON, KY 40509

Design Revision #: 1

Job Description: QUALIFY PUBLIC WORK OVERHEAD

<u>CU ID</u>	<u>ACTION CODE</u>	<u>QUANTITY</u>	<u>MATERIAL</u>	<u>LABOR</u>	<u>EQUIPMENT</u>	<u>OTHER</u>	<u>OVERHEAD</u>	<u>TOTAL</u>
TERMEL2A KU	Scrap	3.00	0.00	111.00	0.00	0.00	129.00	239.00
TERMOD1/0A KU	Install	9.00	371.00	480.00	0.00	0.00	647.00	1498.00
TERMOD1/0A KU	Scrap	6.00	0.00	320.00	0.00	0.00	372.00	692.00
TERMOD2/0A KU	Scrap	6.00	0.00	320.00	0.00	0.00	372.00	692.00
TERMOD2A KU	Transfer	1.00	0.00	0.00	0.00	0.00	0.00	0.00
XARM8 KU	Scrap	6.00	0.00	178.00	0.00	0.00	206.00	384.00
XARMDE8HBR KU	Scrap	1.00	0.00	43.00	0.00	0.00	50.00	93.00
XARMDEASMBLYFB8FTHD KU	Install	16.00	2723.00	691.00	0.00	0.00	1460.00	4874.00
XARMDEASMBLYFB8FTHD KU	Scrap	4.00	0.00	173.00	0.00	0.00	201.00	374.00
XARMTANGFG8FT6400LBVE RT KU	Install	4.00	518.00	173.00	0.00	0.00	326.00	1016.00
XARMTANGFG8FT6400LBVE RT KU	Scrap	4.00	0.00	173.00	0.00	0.00	201.00	374.00
XFMROH1P7.2/240/010 KU	Remove	1.00	-509.00	30.00	0.00	0.00	35.00	-444.00
XFMROH1P7.2/240/037 KU	Install	1.00	909.00	54.00	0.00	0.00	63.00	1026.00

Cost Estimate - Design

WR #: 6113416

WR Name: BRIGHTON BRIDGE TRAIL PRIMARY  
RELOCATION JOB

12/18/2018

WR Type: ENPBWKN

Job Address: 3099 HELMSDALE PL

2:44:17 PM

Project: CPBWK315

LEXINGTON, KY 40509

Design Revision #: 1

Job Description: QUALIFY PUBLIC WORK OVERHEAD

<u>CU ID</u>	<u>ACTION CODE</u>	<u>QUANTITY</u>	<u>MATERIAL</u>	<u>LABOR</u>	<u>EQUIPMENT</u>	<u>OTHER</u>	<u>OVERHEAD</u>	<u>TOTAL</u>
XFMROH1P7.2/240/037 KU	Remove	1.00	-909.00	30.00	0.00	0.00	35.00	-844.00
<b>Totals (including previously capitalized material costs):</b>			<b>\$42264.00</b>	<b>\$69733.00</b>	<b>\$0.00</b>	<b>\$3500.00</b>	<b>\$92084.00</b>	<b>\$207581.00</b>
<b>Totals (excluding previously capitalized material costs):</b>			<b>\$42773.00</b>	<b>\$69733.00</b>	<b>\$0.00</b>	<b>\$3500.00</b>	<b>\$92084.00</b>	<b>\$208090.00</b>

GENERAL

Source: Work Manager

Local District: LEXOC

WR Name: BRIGHTON BRIDGE TRAIL PRIMARY RELOCATION JOB

Requested Completion: 1/8/2019

Taxing District: 613

Job Address: 3099 HELMSDALE PL

Premise ID:

WR Type: ENPBWKN

LEXINGTON, KY 40509

Ext Sys ID:

WR Sub-Type: KQPBKO

Unit No: --

Contract Acct No:

CCS Code:

Customer Phone: --

Meter Number:

Est. Hours: 1743

Contact:

Meter Reading / Loc: /

Circuit:

Contact Phone:

Rd Rte:

Rd Seq:

Description: QUALIFY PUBLIC WORK OVERHEAD

COMMENTS - JOB CARD - INSTALL 1,316' OF 3#795 12KV SPACER CABLE W/1-7#6 MESSENGER FROM THE WEST OF BRYANT RD KU SUB ALONG THE SOUTH SIDE OF PROPOSED BRIGHTON TRAIL ACROSS MAN O WAR BLVD TO3109 WEYMOUTH CT & ACROSS THE TRL. INSTALL 390' OF 3#1/0 UNDERGRD 12KV PRIMARY FROM THE KU SUB TO 3008 ATKINSON AVE. INSTALL200' OF 3#1/0 UNDERGRD 12KV PRI TO MAINTAIN SERVICE AT LIQUOR BARN. INSTALL78' OF 3#2/0 ACSR 12KV PRI & 1#2 ACSR NEU ALONG NORTH SIDE OF BRYANT ROAD SUB. REMOVE1,165' OF 3#795 12KV SPACER CABLE W/1-7#6 MESS FROM WEST OF BRYANT RD SUB ALONG SOUTH SIDE OF PROPOSED BRIGHTON TRL ACROSS MAN O WAR BLVD TO3109 WEYMOUTH CT & ACROSS TRL. REMOVE 360' OF 3#1/0 UNDERGRD 12KV PRI FROM KU SUB TO 3008 ATKINSON AVE. REMOVE150' OF 3#1/0 UNDERGRD 12KV PRI TO LIQUOR BARN. REMOVE 76' OF 3#2/0 ACSR 12KV PRI & 1#2 ACSR NEU ALONG THE NORTH SIDE OF BYRANT RD SUB. Relocation is 100% reimbursable all in private right of way. Reasons for relocation is to move KU distribution line out of construction limits of the proposed Brighton Trail from the west side of the KU Bryant Road Substation across Man O War Blvd to 3109 Weymouth Ct. \*\*\*\*\*

JOB BRIEFING

- Hazards Assoc With Job
- Special Precautions
- P. P. E. Required
- Work Procs Involved
- Energy Source Controls

FINANCIAL

Project #	Task #
CPBWK315	6113416R02
CPBWK315	6113416I01

SUBSTATION INFO:

Name: BRYANT RD  
 TLM Number:  
 Asset Number:

COMPLETION DETAILS

Comments:

Job Start Date:

Crew Size:

Completed By:

Completion Date:

Man Hours:

Summary Bill of Materials

WR# 6113416  
 Local District: LEXOC  
 Work Type: ENPBWKN  
 Project: CPBWK315  
 Task: 6113416101  
 WR Name: BRIGHTON BRIDGE TRAIL PRIMARY RELOCATION JOB  
 Job Address: 3099 HELMSDALE PL  
 LEXINGTON KY 40509  
 Requested Completion Date: 01/08/2019  
 Design Revision: 1  
 Designer: LAUX, JACOB

Material Item	Description	Est Qt	UOM	Req Qt	Ck Out	Return	Unit Amt
0512419	PIN, TERMINAL, COMPRESSION, 1/0 CU/AL., .840 DIE, 6" LONG PIN, #2 T	9	EA	0			3.32
0515451	PLATE, GROUNDING, POLE BUTT, 7.5" DIA., COPPER, #8-#2 WIRE, SET SC	14	EA	0			4.92
0934919	ELBOW, LOADBREAK, #1/0 CU/AL., 175/220M, 14.4KV PHASE TO PHASE, 20	15	EA	0			28.52
0938560	PEDESTAL, UG, SECONDARY, NON-METALLIC, WITH TEMP. SERVICE DOOR, P	1	EA	0			78.71
0943101	SWITCH, GRP OP, 15KV, 900A, LB, HORZ MT, UPRIGHT, SIDE OPENING, 84" M	1	EA	0			3480.13
1192994	CABLE, UG, 15KV, 1/0 AAC, 175MIL, 33% JCN PARALLEL, 19 STR COMPRESS	590	FT	0			4.42
3015303	CROSSARM, FG, TANGENT, 3-5/8" X 4-5/8" X 8", CENTER MOUNT, 6400 LBS U	4	EA	0			116.03
3023836	CUTOUT, FUSED, LOADBREAK, 15KV, W100A TUBE, 110KV BIL, POLYMER, EYE-	9	EA	0			109.06
3023837	CUTOUT, FUSED, NON-LOADBREAK, 15KV, W100A TUBE, POLYMER, 10KA, 110	1	EA	0			58.03
7000173	ARRESTER, DISTRIBUTION, OH, 9KV, HEAVY-DUTY, MOV, POLYMER, 7.65KV M	28	EA	0			28.61
7000218	BOLT, DBL ARM, 3/4" X 18", ALL THREAD, GALV W/4 SQ NUTS STD PKG =	8	EA	0			4.95
7000339	WASHER, CURVED, SQUARE, 3" X 3" X 1/4", GALV, FOR 5/8" BOLT, STD P	16	EA	0			0.88
7000377	CONDUCTOR, OH WIRE, 2, ACSR/BARE, 6/1, SPARROW	6	LB	0			1.67
7000388	CONDUCTOR, OH WIRE, 1, CU-SD, XLPE INSULATION, 90 DEGREES C, 19 ST	1	LB	0			4.46
7000398	CONDUCTOR, OH WIRE, 2, 0, ACSR/BARE, 6/1, QUAIL	38	LB	0			1.47
7000405	CONDUCTOR, OH WIRE, MESSENGER, .486", AW, 7-#6 STRAND	1454	FT	0			0.59
7000602	CLAMP, GROUND, TRANSFORMER TANK, BRZ, #8SLD TO 2/0 STR, 1/2" X 13	2	EA	0			2.72
7000660	CONDUIT, PVC, 4" X 10', SCH 80, LONG BELL END, GREY	30	FT	0			2.81
7000662	CONDUIT, PVC, 2-1/2" X 10', SCH 80, LONG BELL END, GREY	20	FT	0			1.60
7000668	CONDUIT, PVC, 4" X 10', SCH 40, LONG BELL END, GREY	540	FT	0			1.75
7000670	CONDUIT, PVC, 2-1/2" X 10', SCH 40, LONG BELL END, GREY	40	FT	0			1.03
7000671	CONDUIT, PVC, 2" X 10', SCH 40, LONG BELL END, GREY	20	FT	0			0.65



Summary Bill of Materials

WR# 6113416  
 Local District: LEXOC  
 Work Type: ENPBWKN  
 Project: CPBWK315  
 Task: 6113416I01  
 WR Name: BRIGHTON BRIDGE TRAIL PRIMARY RELOCATION JOB  
 Job Address: 3099 HELMSDALE PL LEXINGTON KY 40509  
 Requested Completion Date: 01/08/2019  
 Design Revision: 1  
 Designer: LAUX, JACOB

Material Item	Description	Est Qt	UOM	Req Qt	Ck Out	Return	Unit Amt
7000721	FUSE, TYPE QA, 50A, BUTTON HEAD	3	EA	0			3.37
7000789	ANCHOR, EXPANSION, 10", 8 WAY, 20000 LB, STEEL	31	EA	0			29.48
7000796	INSULATOR, GUY, STRAIN, 5 1/2", 20,000#, GRAY, PORCELAIN, ANSI 54-3	35	EA	0			3.32
7000798	WIRE, GUY, 7/16", EXTRA HIGH STRENGTH STEEL, TYPE B	1944	FT	0			0.77
7000799	LINKCONNECTING-T-OFFSET,EYE/EYE:1/4"X2"X9-1/2":GALV STL	46	EA	0			3.13
7000804	ROLLER, GUY, 15/16" HOLE, STEEL	46	EA	0			2.81
7000814	ROD, ANCHOR, TWIN EYE, 3/4"X7F, GALV STL	31	EA	0			19.65
7000828	PROTECTOR, GUY, 8FT, YELLOW, HDPE, CLAMP TYPE 3/8"-5/8" GUY WIRE	6	EA	0			3.07
7000830	GRIP, GUY, PREFORMED, 7/16", GREEN, GALV STL	140	EA	0			3.82
7000833	BAND, POLE, 6,000#, 7.5" TO 12" POLE, 4 SECTION, EACH=SET, SET=(4)	23	EA	0			40.02
7000888	ROD, GROUND, 5/8"X8', BONDED COPPER, MINIMUM .010" COPPER COATIN	19	EA	0			10.07
7000911	BRACKET, WIRE, 1-INSULATOR, LESS INSULATOR, 4" X 3-1/4", FOR ANSI	5	EA	0			3.78
7000924	GRIP, DEAD END, MESSENGER, 1/2" ALUMOWELD, 7#6, .486" DIAMETER	13	EA	0			15.55
7001141	TERMINATION, KIT, 15KV, #2-4/0 AWG. COLD SHRINK, W/O PIN, JCN/CN/	9	EA	0			37.90
7001154	ENCLOSURE, UG, SECTIONALIZING, 3 PHASE, 200A, 18" X 60" X 30", STE	1	EA	0			426.59
7001155	SLEEVE, UG, SECTIONALIZING ENCLOSURE, 3 PHASE, FITS IIN 7001154,	1	EA	0			153.76
7001167	BRACKET, CONDUIT, STAND OFF, 1/4"X1-1/2", BAR STRAP, 16"X12"X16"	17	EA	0			12.16
7001207	ELBOW, CONDUIT, PVC, 2-1/2"X24", SCH 40, 90 DEG, DEEP SOCKET, GREY	2	EA	0			6.45
7001208	ELBOW, CONDUIT, PVC, 3"X24", SCH 40, 90 DEG, DEEP SOCKET, GREY	1	EA	0			7.51
7001218	ELBOW, CONDUIT, PVC, 4"X36", SCH 40, 90 DEG, DEEP SOCKET, GREY	4	EA	0			15.90
7001268	INSULATOR, SECONDARY, SPOOL 3", PORCELAIN OR POLYETHYLENE, WHITE	5	EA	0	N/C		0.84
7001269	INSULATOR, PIN TYPE, 15KV, POLYMER, F-NECK, 1" PIN HOLE, SKY GRAY,	48	EA	0			4.42

## Summary Bill of Materials

WR#	6113416	WR Name:	BRIGHTON BRIDGE TRAIL PRIMARY RELOCATION JOB	Requested Completion Date:	01/08/2019
Local District:	LEXOC	Job Address:	3099 HELMSDALE PL LEXINGTON KY 40509	Design Revision:	1
Work Type:	ENPBWKN	Task:	CPBWK315	Designer:	LAUX, JACOB
Task:	6113416I01				

Material Item	Description	Est Qt	UOM	Req Qt	Ck Out	Return	Unit Amt
7001274	INSULATOR, SPACER, SPACER CABLE, 15KV, 3-PHASE, RINGLESS	54	EA	0			15.81
7001280	INSULATOR, SUSPENSION, 15 KV, POLYMER, 12.5"-13.5" LONG, 15,000#	62	EA	0			8.45
7001427	CABLE, 600V/UG, #2-#4, 3/C AAC TRIPLEX, XLP, STEPHENS, NEUTRAL	20	FT	0			0.59
7001463	TRANSFORMER, POLE TYPE, 1 PH, 37KVA, 7.2KV-120/240V, 2 BUSHING, *	1	EA	0			909
7001703	BRACKET, INSULATOR/ARRESTER, 18", SINGLE, 1-1/2", FG ROD, KEYHOLE	10	EA	0			23.63
7001713	WIRE, ARIAL SPACER CABLE, 15KV, 795.AL, POLY, 19 STRAND, COMPACT, 1	4362	FT	0			2.48
7001812	CONDUCTOR, OH WIRE, 4, CW, BARE, SOLID, 40% CONDUCTIVITY, 50 LB SPO	105	LB	0	N/C		3.41
7001962	FUSEHOLDER, CUTOFF, 15KV, NON-LOADBREAK, 200A, 12KA INTERRUPTING	1	EA	0			65.63
7001965	FUSEHOLDER, CUTOFF, 15KV, LOADBREAK, 200A, 10KA INTERRUPTING	6	EA	0			64.63
7002169	STIRRUP, TANGENT BRACKET	9	EA	0			9.19
7002172	CLAMP, SPACER CABLE, MESSENGER, INSIDE	6	EA	0			26.20
7002174	PLATE, DOUBLE INSULATOR, SPACER CABLE, GALV, W/5/8" X 2" CARRIAG	6	EA	0			15.16
7002175	BRACKET, SPACER CABLE, ANGLE, DOUBLE CIRCUIT, 33"	1	EA	0			155.24
7002179	BRACKET, SPACER CABLE, TANGENT MESSENGER, 24"	9	EA	0			79.70
7002181	BRACKET, SPACER CABLE, ANTI-SWAY, FRONT MOUNT, 24"	9	EA	0			16.44
7002371	POLE, WOOD, 40', CLASS 1, PINE, CCA-ET TREATED PER LG&E-KU SPECIF	1	EA	0			317.63
7002376	POLE, WOOD, 45', CLASS 3, PINE, CCA, TREATED PER LG&E-KU SPECIFICA	4	EA	0			299.89
7002379	POLE, WOOD, 50', CLASS 2, PINE, PENTA TREATED PER LG&E-KU SPECIFI	2	EA	0			395.68
7002381	POLE, WOOD, 55', CLASS 1, PINE, PENTA TREATED PER LG&E-KU SPECIFI	3	EA	0			512.35
7002382	POLE, WOOD, 55', CLASS 2, PINE, PENTA TREATED PER LG&E-KU SPECIFI	1	EA	0			450.16
7002384	POLE, WOOD, 60', CLASS 1, PINE, PENTA TREATED PER LG&E-KU SPECIFI	3	EA	0			683.72
7003298	INSULATOR LINK, GUY STRAIN, 12" FIBERGLASS, 21,000# MINIMUM BR.	12	EA	0			12.98

Summary Bill of Materials

**WR#** 6113416 **WR Name:** BRIGHTON BRIDGE TRAIL PRIMARY  
**Local District:** LEXOC **Job Address:** 3099 HELMSDALE PL  
**Work Type:** ENPBWKN **Requested Completion Date:** 01/08/2019  
**Project:** CPBWK315 **Design Revision:** 1  
**Task:** 6113416101 **Designer:** LAUX, JACOB

Material Item	Description	Est Qt	UOM	Req Qt	Ck Out	Return	Unit Amt
7003577	JUNCTION,UG PRI,FEED THRU,3 POSITION,L/B,15KV,200A	3	EA	0			102.50
7003757	GRIP,DEADEND,COATED,795 AERIAL CABLE AND POLY,RANGE 1.213"-1	39	EA	0			33.75
7003758	BRACKET,SPACER CABLE,ANGLE,15KV	4	EA	0			90.99
7004088	PIN,INSULATOR,STRAIGHT,5/8"X6",STEEL,NYLON THREADED HEAD,2"	45	EA	0			4.11
7005817	CONDUCTOR,OH WIRE,4,CU,BARE,SD,SOLID,25 LB. SPOOL (198"),CON	1	LB	0	N/C		3.89
7010711	ARM,DEADEND ASSEMBLY,FG,8FT,5000 LBS WORKING,10000 LBS ULTIM	16	EA	0			170.17

# Construction Order - Design

Requested Completion: 01/08/2019  
 Design Revision: 1  
 Designer: LAUX, JACOB  
 Local District: LEXOC

WR Name: BRIGHTON BRIDGE TRAIL PRIMARY  
 RELOCATION JOB  
 Job Address: 3099 HELMSDALE PL  
 LEXINGTON KY 40509

WR#: 6113416  
 Project #: CPBWK315  
 Task #: 6113416R02  
 WR Type: ENPBWKN

Description: QUALIFY PUBLIC WORK OVERHEAD

POINT/SPAN ACTION QTY UOM DESCRIPTION CU CODE / IIN#

POINT/SPAN	ACTION	QTY	UOM	DESCRIPTION	CU CODE / IIN#
Span: P1 LENGTH: 85		1		AA--GS--TREE TRIMMING, DITCHING, AND BACKFILLING	VOUCHER
Point: P1 PO8276613832				PO8276613832 EXISTING 45/3 POLE	
	I	290		ENGINEERING LABOR HOURLY UNITS	LABENGR KU
		4		ADDER FOR FLAGGING TRAFFIC, HOURLY UNITS	LABFLAGGINGTRAFFIC KU
		18		ADDER FOR HOT ARM, INCLUDES INST & RM	LABADDERHOTARM KU
		122		ADDER FOR OH WORK, 1 HR UNITS	LABADDEROHWORK KU
		60		TRAVEL TIME 1 HOUR KU	LABTRAVELTIME1HR KU
		5576		ADDER PULL CONDUCTOR UNDER TENSION	LABADDERCOND TENS KU
		126		ROCK RM PER VERT FT, ROCK DRILL TRK	LABROCKDRILL TRK KU
		36		MECHANICAL JUMPER, INCL. INST & RM	LABMECHJMPR KU
		1		XARM,DEADEND ASMBLY,FBRGLS,8FT,HVY DUTY	XARMDEASMBLYF8FTHD KU
		6		INSULATOR,SUSP,UNITARY,POLYMER	INSSUSPPOLY KU
		6		GRIP,DEADEND,SPACER CABLE,795	GRIPDE795SPACER KU
		2		GRIP,DEADEND,MESS,0.5I,ALUMOWELD,7#6	GRIPMESS7/6 KU
		54		INSULATOR,SPACER CBL,15KV,7.5IX12.5IX8I	INSSPACER KU
	S	18		REMOVE TOP OF POLE	LABPOLETOP KU
	T	92		TRANSFER PRI/SEC WIRES PER ATTACHMENT	LABTRANSFERPRI/SEC KU
Span: P1 to P2 LENGTH: 85				SPAN FROM P1 TO P2: REMOVE 85FT OF 3#795 SPACER AND 1 7#6 MESSENGER - CKT 149 INSTALL 85FT OF 3#795 SPACER AND 1 7#6 MESSENGER - CKT 149	
	I	3		CABLE,SPACER,15KV,795A POLY,19STRAND	PRIAL795SPCBL KU
		1		WIRE,MESSENGER,486I,7#6STRAND	PRIAL7/6MESS KU

# Construction Order - Design

Requested Completion: 01/08/2019  
 Design Revision: 1  
 Designer: LAUX, JACOB  
 Local District: LEXOC

WR Name: BRIGHTON BRIDGE TRAIL PRIMARY  
 RELOCATION JOB  
 Job Address: 3099 HELMSDALE PL  
 LEXINGTON KY 40509

WR#: 6113416  
 Project #: CPBWK315  
 Task #: 6113416R02  
 WR Type: ENPBWKN

Description: QUALIFY PUBLIC WORK OVERHEAD

POINT/SPAN	ACTION	QTY	UOM	DESCRIPTION	CU CODE / IIN#
Span: P1 to P2 LENGTH: 85	S	3		CABLE,SPACER,15KV,795A POLY,19STRAND	PRIAL795SPCBL KU
		1		WIRE,MESSENGER,486I,7#6STRAND	PRIAL76MESS KU

Point: P2 NEW POLE NEW POLE - CUT OFF TOP 3.5' AND SET 6.5' DEEP

I	1			BRACKET,SPACER CABLE,ANTISWAY,FRT MT,24I	BKTSPCBLASF24 KU
	1			BRACKET,SPACER CABLE,TANGENT MESS,24I	BKTSPCBLTMS24 KU
	1			POLE,WOOD,45F,3,CCA	PLWDCCA45C3 KU
	1			XARM,DEADEND ASMBLY,FBRGLS,8FT,HVY DUTY	XARMDEASMBLYFB8FTHD KU
	6			INSULATOR,SUSP,UNITARY,POLYMER	INSSUSPPOLY KU
	3			INSULATOR,PIN,15KV,POLYMER,SKYGRAY	INSPINPOLY KU
	1			BAND,POLE,4WAY,MEDIUM,GALV ST	POLEBANDMED KU
	6			GRIP,DEADEND,SPACER CABLE,795	GRIPDE795SPACER KU
	2			GRIP,DEADEND,MESS,0.5I,ALUMOWELD,7#6	GRIPMESS76 KU
	3			ARRESTER,DIST,OH,9KV,POLYMER,NO MAP	ARR9KPOLYNOMAP KU
	1			ROD,GROUND,STD,5/8IX8F	GNDROD KU

Span: P2 - NEW  
 POLE to P3  
 LENGTH: 78

I	2			WIRE,MESSENGER,486I,7#6STRAND	PRIAL76MESS KU
S	6			CABLE,SPACER,15KV,795A POLY,19STRAND	PRIAL795SPCBL KU
	2			WIRE,MESSENGER,486I,7#6STRAND	PRIAL76MESS KU
	6			CABLE,SPACER,15KV,795A POLY,19STRAND	PRIAL795SPCBL KU

Point: P3  
 PO8296113808

PO8296113808  
 EXISTING 45/3 POLE TO REMAIN

# Construction Order - Design

WR#: 6113416  
 Project #: CPBWK315  
 Task #: 6113416R02  
 WR Type: ENPBWKN

WR Name: BRIGHTON BRIDGE TRAIL PRIMARY  
 RELOCATION JOB  
 Job Address: 3099 HELMSDALE PL  
 LEXINGTON KY 40509

Requested Completion: 01/08/2019  
 Design Revision: 1  
 Designer: LAUX, JACOB  
 Local District: LEXOC

POINT/SPAN	ACTION	QTY	UOM	DESCRIPTION	CJ CODE / IIN#
Point: P3 PO8296113808	I	2		ANCHOR,EXP,10I,8W,20K,STL,7/16EHS,6IPOR	ANC7/16EHSDG/10I/20K6I KU
	I	2		PROTECTOR,GUY,8F,YELLOW,HDPE	GUYGUARD KU
Span: P3 to P4 LENGTH: 121				SPAN P3 TO P4 INSTALL 121FT OF 6 #795 SPACER CABLE AND 2 7#6 MESSENGER - CKT 149 & CKT 150	
Point: P4 PO8303513881 NEW	I	1		POLE,WOOD,40F,1,CCA	PLWDCCA40C1 KU
	I	1		BRACKET,SPACER CABLE,ANGLE,DBL CKT	BKTSPCBLANGDC KU
		12		INSULATOR,PIN,15KV,POLYMER,SKYGRAY	INSPINPOLY KU
		2		BAND,POLE,4WAY,MEDIUM,GALV ST	POLEBANDMED KU
		2		CLAMP,SPACER CABLE,MESSENGER,INSIDE,CMA2	CLAMPSPCBLMESSINSCMA 2 KU
		6		PLATE,SPACER CABLE,DOUBLE INSULATOR	INSDBLINSPLATE KU
		8		ANCHOR,EXP,10I,8W,20K,STL,7/16EHS,6IPOR	ANC7/16EHSDG/10I/20K6I KU
		1		ROD,GROUND,STD,5/8IX8F	GNDROD KU
		12		PIN,XARM,5/8INX6IN,NYLON	PININXA5/8X6N KU
Span: P4 to P5 LENGTH: 149				SPAN FROM P4 TO P5 INSTALL 149FT OF 6 #795 SPACER CABLE AND 2 7#6 MESSENGER - CKT 149 & CKT 150	
	I	2		WIRE,MESSENGER,486I,7#6STRAND	PRIAL7/6MESS KU
	I	6		CABLE,SPACER,15KV,795A POLY,19STRAND	PRIAL795SPCBL KU
Point: P5 PO8321213862 NEW	I	1		POLE,WOOD,50F,2,CCA	PLWDCCA50C2 KU

# Construction Order - Design

WR#: 6113416  
 Project #: CPBWK315  
 Task #: 6113416R02  
 WR Type: ENPBWKN

WR Name: BRIGHTON BRIDGE TRAIL PRIMARY RELOCATION JOB  
 Job Address: 3099 HELMSDALE PL LEXINGTON KY 40509

Requested Completion: 01/08/2019  
 Design Revision: 1  
 Designer: LAUX, JACOB  
 Local District: LEXOC

Description: QUALIFY PUBLIC WORK OVERHEAD

POINT/SPAN	ACTION	QTY	UOM	DESCRIPTION	CJ CODE / IIN#
Point: P5 PO8321213862 NEW	I	4		XARM,DEADEND ASMBLY,FBRGLS,8FT,HVY DUTY	XARMDEASMBLYFB8FTTHD KU
		14		INSULATOR,SUSP,UNITARY,POLYMER	INSSUSPPOLY KU
		5		INSULATOR,PIN,15KV,POLYMER,SKYGRAY	INSPINPOLY KU
		4		BAND,POLE,4WAY,MEDIUM,GALV ST	POLEBANDMED KU
		6		GRIP,DEADEND,SPACER CABLE,795	GRIPDE795SPACER KU
		2		GRIP,DEADEND,MESS,0.5I,ALUMOWELD,7#6	GRIPMESS7/6 KU
		3		LINK,EXTENSION,12I,FG,EYE/CLEVIS	INSEXTLINKFG KU
		4		ANCHOR,EXP,10I,8W,20K,STL,7/16EHS,6IPOR	ANC7/16EHSDG/10I/20K6I KU
		4		PROTECTOR,GUY,8F,YELLOW,HDPE	GUYGUARD KU
		6		ARRESTER,DIST,OH,9KV,POLYMER,NO MAP	ARR9KPOLYNOMAP KU
		5		PIN,XARM,5/8INX6IN,NYLON	PININXA5/8X6N KU
		1		ROD,GROUND,STD,5/8IX8F	GNDROD KU

Span: P5 to P6  
 LENGTH: 43

FROM P5 TO P6  
 INSTALL 43FT OF 3 #765 SPACER CABLE AND 1 7#6 MESSENGER - CKT 150  
 INSTALL 3 #2/0AL PRIMARY AND 1 #2AL NEUTRAL - CKT 149

I	1			WIRE,MESSENGER,486I,7#6STRAND	PRIAL7/6MESS KU
	3			WIRE,2/0,ACSR/BARE,6/1,QUAIL	PRIAL2/0BARE KU
	3			CABLE,SPACER,15KV,795A POLY,19STRAND	PRIAL795SPCBL KU
	1			WIRE,2,ACSR/BARE,6/1,SPARROW	PRIAL2BARE KU

Point: P6  
 PO8334013849 NEW

PO8334013849 - NEW POLE LOCATION

I	1			POLE,WOOD,55F,1,CCA	PLWDCCA55C1 KU
	2			XARM,DEADEND ASMBLY,FBRGLS,8FT,HVY DUTY	XARMDEASMBLYFB8FTTHD KU
	8			INSULATOR,SUSP,UNITARY,POLYMER	INSSUSPPOLY KU

# Construction Order - Design

**WR#:** 6113416      **WR Name:** BRIGHTON BRIDGE TRAIL PRIMARY RELOCATION JOB      **Requested Completion:** 01/08/2019  
**Project #:** CPBWK315      **Job Address:** 3099 HELMSDALE PL      **Design Revision:** 1  
**Task #:** 6113416R02      LEXINGTON KY 40509      **Designer:** LAUX, JACOB  
**WR Type:** ENPBWKN      **Local District:** LEXOC

**Description:** QUALIFY PUBLIC WORK OVERHEAD

POINT/SPAN	ACTION	QTY	UOM	DESCRIPTION	CU CODE / IIN#	
Point: P6 PO8334013849 NEW	I	4		INSULATOR,PIN,15KV,POLYMER,SKYGRAY	INSPINPOLY KU	
		2		BAND,POLE,4WAY,MEDIUM,GALV ST	POLEBANDMED KU	
		4		ANCHOR,EXP,10I,8W,20K,STL,7/16EHS,6IPOR	ANC7/16EHS DG/10I/20K6I KU	
		6		LINK,EXTENSION,12I,FG,EYE/CLEVIS	INSEXTLINKFG KU	
		1		RACK,WIRE,1W	RACK1W KU	
		1		ROD,GROUND,STD,5/8IX8F	GNDROD KU	
		4		PIN,XARM,5/8INX6IN,NYLON	PININSXA5/8X6N KU	
		1		FIBERGLASS ARM 8 FT TANG/6400 LB 300 FT SPAN	XARMTANGFG8FT6400LBV ERT KU	
	<b>FROM P6 TO P7</b>					
	<b>INSTALL 11FT OF 3 #2/OAL PRIMARY AND 1 #2AL NEUTRAL - CKT 149</b>					
Point: P7 PO8333013849 NEW	I	3		WIRE,2/0,ACSR/BARE,6/1,QUAIL	PRIAL2/0BARE KU	
		1		WIRE,2,ACSR/BARE,6/1,SPARROW	PRIAL2BARE KU	
	<b>PO8333013849 - NEW LOCATION</b>					
		1		POLE,WOOD,45F,3,CCA	PLWDCCA45C3 KU	
		2		FIBERGLASS ARM 8 FT TANG/6400 LB 300 FT SPAN	XARMTANGFG8FT6400LBV ERT KU	
		3		INSULATOR,PIN,15KV,POLYMER,SKYGRAY	INSPINPOLY KU	
		1		RACK,WIRE,1W	RACK1W KU	
		3		ARRESTER,DIST,OH,9KV,POLYMER,NO MAP	ARR9KPOLYNOMAP KU	
		3		CUTOUT,FUSED,LDBK,15KV,200A,POLY,MAP	COMAP200ALDBK15KV KU	
		3		TERMINATOR,UG,OUTDR,1/0,15KV,200A,1PIECE	TERMOD1/0A KU	
	3		BRACKET,CONDUIT,STANDOFF,12IX16I	BKTSTOFF12X16 KU		
	20		CONDUIT,PVC,4I,SCH40	CT104S40 KU		
	10		CONDUIT,PVC,4I,SCH80	CT104S80 KU		

Span: P6 to P7  
LENGTH: 11



# Construction Order - Design

WR#: 6113416  
 Project #: CPBWK315  
 Task #: 6113416R02  
 WR Type: ENPBWKN

WR Name: BRIGHTON BRIDGE TRAIL PRIMARY RELOCATION JOB  
 Job Address: 3099 HELMSDALE PL  
 LEXINGTON KY 40509

Requested Completion: 01/08/2019

Design Revision: 1  
 Designer: LAUX, JACOB  
 Local District: LEXOC

## QUALIFY PUBLIC WORK OVERHEAD

POINT/SPAN	ACTION	QTY	UOM	DESCRIPTION	CU CODE / IIN#
Point: P7 PO8333013849 NEW	I	1		ROD,GROUND,STD,5/8IX8F	GNDROD KU
		3		PIN,XARM,5/8INX6IN,NYLON	PININXA5/8X6N KU
Span: P7 to P19 - ELEC PULL BOX LENGTH: 200				FROM P7 TO P19 KU 3PH UG ELEC PULL BOX INSTALL 200FT OF 3 #1/0AL 12KV UG PRIMARY AND CONDUIT	
	I	1		CONDUIT,PVC,4I,SCH40	CT104S40 KU
	I	1		CABLE,UG,15KV,1/0A,3/C,TR XLPE,C/N,JKT	PRIAL1/0UG3C KU
Point: P19 - ELEC PULL BOX				P19 - KU 3PH ELEC PULL BOX	
	I	3		TERMINATOR,UG,ELBOW,1/0,15KV,200A	TERMEL1/0A KU
	S	3		TERMINATOR,UG,ELBOW,1/0,15KV,200A	TERMEL1/0A KU
Span: P7 to P8 LENGTH: 14				FROM P7 TO P8 INSTALL 14FT OF 3 #2/0AL PRIMARY AND 1 #2AL NEUTRAL - CKT 149	
	I	3		WIRE,2/0,ACSR/BARE,6/1,QUAIL	PRIAL2/0BARE KU
	I	1		WIRE,2,ACSR/BARE,6/1,SPARROW	PRIAL2BARE KU
Point: P8 PO8336513847 NEW				PO8336513847 - NEW LOCATION	
	I	3		INSULATOR,SUSP,UNITARY,POLYMER	INSSUSPPOLY KU
	I	1		XARM,DEADEND ASMBLY,FBRGLS,8FT,HVY DUTY	XARMDEASMBLYFB8FTHD KU
	I	1		POLE,WOOD,45F,3,CCA	PLWDCCA45C3 KU
	I	3		BRACKETS(3),INS/ARR,1P,18I,FG,C/O MTING	BKTMIF18FG3C/OMNT KU
	I	3		ARRESTER,DIST,OH,9KV,POLYMER,NO MAP	ARR9KPOLYNOMAP KU
	I	3		CUTOUT,FUSED,LDBK,15KV,200A,POLY,MAP	COMAP200ALDBK15KV KU
	I	3		TERMINATOR,UG,OUTDR,1/0,15KV,200A,1PIECE	TERMOD1/0A KU
	I	3		BRACKET,CONDUIT,STANDOFF,12IX16I	BKTSTOFF12X16 KU
		20		CONDUIT,PVC,4I,SCH40	CT104S40 KU
		10		CONDUIT,PVC,4I,SCH80	CT104S80 KU

# Construction Order - Design

WR#: 6113416  
 Project #: CPBWK315  
 Task #: 6113416R02  
 WR Type: ENPBWKN

WR Name: BRIGHTON BRIDGE TRAIL PRIMARY  
 RELOCATION JOB  
 Job Address: 3099 HELMSDALE PL  
 LEXINGTON KY 40509

Requested Completion: 01/08/2019  
 Design Revision: 1  
 Designer: LAUX, JACOB  
 Local District: LEXOC

## QUALIFY PUBLIC WORK OVERHEAD

POINT/SPAN	ACTION	QTY	UOM	DESCRIPTION	CJ CODE / IIN#
Point: P8 PO8336513847 NEW	I	1		RACK,WIRE,1W	RACK1W KU
	I	1		ROD,GROUND,STD,5/8IX8F	GNDROD KU
Span: P8 to P20 - ELEC PULL BOX LENGTH: 190	I	1		FROM P8 TO P20 KU 3PH UG ELEC PULL BOX INSTALL 190FT OF 3 #1/0AL 12KV UG PRIMARY AND CONDUIT CONDUIT,PVC,4I,SCH40	CT104S40 KU
	I	1		CABLE,UG,15KV,1/0A,3/C,TR XLPE,C/N,JKT	PRIAL1/0UG3C KU
Point: P20 - ELEC PULL BOX	S	3		P20 - KU 3PH ELEC PULL BOX	TERMEL1/0A KU
	I	3		TERMINATOR,UG,ELBOW,1/0,15KV,200A	TERMEL1/0A KU
	S	3		TERMINATOR,UG,OUTDR,2/0,15KV,200A,1PIECE	TERMOD2/0A KU
Point: P9 PO8331313741	I	1		PO8331313741 - REPLACE POLE	PLWDCCA55C1 KU
	I	1		POLE,WOOD,55F,1,CCA	PLWDCCA55C1 KU
	I	2		XARM,DEADEND ASMBLY,FBRGLS,8FT,HVY DUTY	XARMDEASMBLYFB8FTHD KU
	I	7		INSULATOR,SUSP,UNITARY,POLYMER	INSSUSPPOLY KU
	I	3		INSULATOR,PIN,15KV,POLYMER,SKYGRAY	INSPINPOLY KU
	I	2		BAND,POLE,4WAY,MEDIUM,GALV ST	POLEBANDMED KU
	I	3		GRIP,DEADEND,SPACER CABLE,795	GRIPDE795SPACER KU
	I	1		GRIP,DEADEND,MESS,0.5I,ALUMOWELD,7#6	GRIPMESS7/6 KU
	I	3		ARRESTER,DIST,OH,9KV,POLYMER,NO MAP	ARR9KPOLYNOMAP KU
	I	2		ANCHOR,EXP,10I,8W,20K,STL,7/16EHS,6IPOR	ANC7/16EHS DG/10I/20K6I KU
	I	1		ROD,GROUND,STD,5/8IX8F	GNDROD KU
	I	3		LINK,EXTENSION,12I,FG,EYE/CLEVIS	INSEXTLINKFG KU
	I	3		PIN,XARM,5/8INX6IN,NYLON	PININXA5/8X6N KU
	S	1		POLE,WOOD,50F,2,CREOSOTE REM ONLY	PLWDCRE50C2 KU

# Construction Order - Design

Requested Completion: 01/08/2019  
 Design Revision: 1  
 Designer: LAUX, JACOB  
 Local District: LEXOC

WR Name: BRIGHTON BRIDGE TRAIL PRIMARY  
 RELOCATION JOB  
 Job Address: 3099 HELMSDALE PL  
 LEXINGTON KY 40509

WR#: 6113416  
 Project #: CPBWK315  
 Task #: 6113416R02  
 WR Type: ENPBWKN

Description: QUALIFY PUBLIC WORK OVERHEAD

POINT/SPAN	ACTION	QTY	UOM	DESCRIPTION	CJ CODE / IIN#
P9	S	2		XARM,DEADEND ASMBLY,FBRGLS,8FT,HVY DUTY	XARMDEASMBLYFB8FTHD KU
		7		INSULATOR,SUSP,UNITARY,POLYMER	INSSUSPPOLY KU
		3		INSULATOR,PIN,15KV,POLYMER,SKYGRAY	INSPINPOLY KU
		2		BAND,POLE,4WAY,MEDIUM,GALV ST	POLEBANDMED KU
		3		GRIP,DEADEND,SPACER CABLE,795	GRIPDE795SPACER KU
		1		GRIP,DEADEND,MESS,0.5I,ALUMOWELD,7#6	GRIPMESS76 KU
		3		ARRESTER,DIST,OH,9KV,POLYMER,NO MAP	ARR9KPOLYNOMAP KU
		2		ANCHOR,EXP,10I,8W,20K,STL,7/16EHS,6IPOR	ANC7/16EHS DG/10I/20K6I KU
		1		ROD,GROUND,STD,5/8IX8F	GNDROD KU
		3		LINK,EXTENSION,12I,FG,EYE/CLEVIS	INSEXTLINKFG KU
		3		PIN,XARM,5/8INX6IN,NYLON	PININXA5/8X6N KU

Span: P9 to P10  
 LENGTH: 126  
 P9 TO P10:  
 INSTALL 126FT 3 #795 SPACER CABLE AND 1 7#6 MESSENGER - CKT 151  
 CABLE,SPACER,15KV,795A POLY,19STRAND  
 WIRE,MESSENGER,486I,7#6STRAND  
 PRIAL795SPCBL KU  
 PRIAL7/6MESS KU

Point: P10 NEW  
 POLE  
 NEW POLE - MAN O WAR BLVD  
 POLE,WOOD,60F,1,CCA  
 BRACKET,SPACER CABLE,ANGLE,15KV  
 INSULATOR,PIN,15KV,POLYMER,SKYGRAY  
 BAND,POLE,4WAY,MEDIUM,GALV ST  
 CLAMP,SPACER CABLE,MESSENGER,INSIDE,CMA2  
 ANCHOR,EXP,10I,8W,20K,STL,7/16EHS,6IPOR  
 PLWDCCA60C1 KU  
 BKTSPCBLANG KU  
 INSPINPOLY KU  
 POLEBANDMED KU  
 CLAMPSPCBLMESSINSCMA  
 2 KU  
 ANC7/16EHS DG/10I/20K6I  
 KU

# Construction Order - Design

Requested Completion: 01/08/2019  
 Design Revision: 1  
 Designer: LAUX, JACOB  
 Local District: LEXOC

WR Name: BRIGHTON BRIDGE TRAIL PRIMARY  
 RELOCATION JOB  
 Job Address: 3099 HELMSDALE PL  
 LEXINGTON KY 40509

WR#: 6113416  
 Project #: CPBWK315  
 Task #: 6113416R02  
 WR Type: ENPBWKN

Description: QUALIFY PUBLIC WORK OVERHEAD

POINT/SPAN	ACTION	QTY	UOM	DESCRIPTION	CU CODE / IIN#
P10 NEW	I	1		ROD,GROUND,STD,5/8IX8F	GNDROD KU
POLE		2		BRACKET,SPACER CABLE,TANGENT MESS,24I	BKTSPCBLTMS24 KU
		2		BRACKET,SPACER CABLE,ANTISWAY,FRT MT,24I	BKTSPCBLASF24 KU
		3		PIN,XARM,5/8INX6IN,NYLON	PINIINXA5/8X6N KU

Span: P10 to P11  
 LENGTH: 54

FROM P10 TO P11  
 INSTALL 54FT 3 #795 SPACER CABLE AND 1 7#6 MESSENGER  
 CABLE,SPACER,15KV,795A POLY,19STRAND  
 WIRE,MESSENGER,486I,7#6STRAND

POINT	ACTION	QTY	UOM	DESCRIPTION	CU CODE / IIN#
P08350213724	I	1		POLE,WOOD,60F,1,CCA	PLWDCCA60C1 KU
		1		XARM,DEADEND ASMBLY,FBRGLS,8FT,HVY DUTY	XARMDEASMBLYFB8FTHD KU
		1		BRACKET,SPACER CABLE,ANTISWAY,FRT MT,24I	BKTSPCBLASF24 KU
		1		BRACKET,SPACER CABLE,TANGENT MESS,24I	BKTSPCBLTMS24 KU
		6		INSULATOR,SUSP,UNITARY,POLYMER	INSSUSPPOLY KU
		6		INSULATOR,PIN,15KV,POLYMER,SKYGRAY	INSPINPOLY KU
		6		PIN,XARM,5/8INX6IN,NYLON	PINIINXA5/8X6N KU
		1		BAND,POLE,4WAY,MEDIUM,GALV ST	POLEBANDMED KU
		6		GRIP,DEADEND,SPACER CABLE,795	GRIPDE795SPACER KU
		2		GRIP,DEADEND,MESS,0.5I,ALUMOWELD,7#6	GRIPMESS7/6 KU
		1		ANCHOR,EXP,10I,8W,20K,STL,7/16EHS,6IPOR	ANC7/16EHSDDG/10I/20K6I KU
		1		ROD,GROUND,STD,5/8IX8F	GNDROD KU
		4		BRACKET,CONDUIT,STANDOFF,12IX16I	BKTSTOFF12X16 KU
	S	1		POLE,WOOD,55F,1,CCA	PLWDCCA55C1 KU

# Construction Order - Design

Requested Completion: 01/08/2019  
 Design Revision: 1  
 Designer: LAUX, JACOB  
 Local District: LEXOC

WR Name: BRIGHTON BRIDGE TRAIL PRIMARY  
 RELOCATION JOB  
 Job Address: 3099 HELMSDALE PL  
 LEXINGTON KY 40509

WR#: 6113416  
 Project #: CPBWK315  
 Task #: 6113416R02  
 WR Type: ENPBWKN

Description: QUALIFY PUBLIC WORK OVERHEAD

POINT/SPAN	ACTION	QTY	UOM	DESCRIPTION	CJ CODE / IIN#
Point: P11 PO8350213724	S	2		CROSSARM,WOOD,3.75IX4.75IX8F	XARM8 KU
		1		BRACKET,SPACER CABLE,ANTISWAY,FRT MT,24I	BKTSPCBLASF24 KU
		1		BRACKET,SPACER CABLE,TANGENT MESS,24I	BKTSPCBLTMS24 KU
		6		INSULATOR,SUSP,UNITARY,POLYMER	INSSUSPPOLY KU
		6		INSULATOR,PIN,15KV,POLYMER,SKYGRAY	INSPINPOLY KU
		6		PIN,XARM,5/8INX6IN,NYLON	PININXA5/8X6N KU
		1		BAND,POLE,4WAY,MEDIUM,GALV ST	POLEBANDMED KU
		6		GRIP,DEADEND,SPACER CABLE,795	GRIPDE795SPACER KU
		2		GRIP,DEADEND,MESS,0.5I,ALUMOWELD,7#6	GRIPMESS7/6 KU
		1		ANCHOR,EXP,10I,8W,20K,STL,7/16EHS,6IPOR	ANC7/16EHS DG/10I/20K6I KU
		1		ROD,GROUND,STD,5/8IX8F	GNDROD KU
		4		BRACKET,CONDUIT,STANDOFF,12IX16I	BKTSTOFF12X16 KU
		80		CONDUIT,PVC,2I,SCH40	CT102S40 KU
	T	1		TERMINATOR,UG,OUTDR,2,15KV,200A,1PIECE	TERM02A KU
		1		CUTOUT,FUSED,LB,15KV,100A,POLY,NOMAP	CONOM100ALB15KV KU
		1		BRACKET,INSULATOR/ARRESTER,1P,18I,FG	BKTMIF18FG KU
		1		ARRESTER,DIST,OH,9KV,POLYMER,NO MAP	ARR9KPOLYNOMAP KU

Span: P11 to P12 -  
 NEW POLE  
 LENGTH: 72

FROM P11 TO P12  
 INSTALL 72FT 3 #795 SPACER CABLE AND 1 7#6 MESSENGER  
 CABLE,SPACER,15KV,795A POLY,19STRAND  
 WIRE,MESSENGER,486I,7#6STRAND

PRIAL795SPCBL KU  
 PRIAL7/6MESS KU

Point: P12 NEW  
 POLE

NEW POLE - NORTH SIDE OF 3109 WEYMOUTH CT  
 BRACKET,SPACER CABLE,ANTISWAY,FRT MT,24I  
 BRACKET,SPACER CABLE,TANGENT MESS,24I

BKTSPCBLASF24 KU  
 BKTSPCBLTMS24 KU

# Construction Order - Design

Requested Completion: 01/08/2019  
 Design Revision: 1  
 Designer: LAUX, JACOB  
 Local District: LEXOC

WR Name: BRIGHTON BRIDGE TRAIL PRIMARY  
 RELOCATION JOB  
 Job Address: 3099 HELMSDALE PL  
 LEXINGTON KY 40509

WR#: 6113416  
 Project #: CPBWK315  
 Task #: 6113416R02  
 WR Type: ENPBWKN

Description: QUALIFY PUBLIC WORK OVERHEAD

POINT/SPAN	ACTION	QTY	UOM	DESCRIPTION	CJ CODE / IIN#
Point: P12 NEW POLE	I	1		POLE,WOOD,60F,1,CCA	PLWDCCA60C1 KU
		1		ROD,GROUND,STD,5/8IX8F	GNDROD KU
		1		RACK,WIRE,1W	RACK1W KU
Span: P12 to P14 LENGTH: 112					
	I	3		CABLE,SPACER,15KV,795A POLY,19STRAND	PRIAL795SPCBL KU
		1		WIRE,MESSENGER,486I,7#6STRAND	PRIAL76MESS KU
NEW POLE - EAST CORNER OF 3109 WEYMOUTH CT					
Point: P14 NEW POLE	I	2		BRACKET,SPACER CABLE,ANGLE,15KV	BKTSPCBLANG KU
		1		POLE,WOOD,55F,2,CCA	PLWDCCA55C2 KU
		2		XARM,DEADEND ASMBLY,FBRGLS,8FT,HVY DUTY	XARMDEASMBLYFB8FTHD KU
		6		INSULATOR,SUSP,UNITARY,POLYMER	INSSUSPPOLY KU
		6		INSULATOR,PIN,15KV,POLYMER,SKYGRAY	INSPINPOLY KU
		6		PIN,XARM,5/8INX6IN,NYLON	PININXA5/8X6N KU
		4		BAND,POLE,4WAY,MEDIUM,GALV ST	POLEBANDMED KU
		6		GRIP,DEADEND,SPACER CABLE,795	GRIPDE795SPACER KU
		2		GRIP,DEADEND,MESS,0.5I,ALUMOWELD,7#6	GRIPMESS7/6 KU
		2		ANCHOR,EXP,10I,8W,20K,STL,7/16EHS,6IPOR	ANC7/16EHS DG/10I/20K6I KU
		1		ROD,GROUND,STD,5/8IX8F	GNDROD KU
		2		GUY,SPAN,7/16IN,HARDWARE/LABOR,6IPOR	GUYSPANHDWLAB7/16I6I KU
		2		CLAMP,SPACER CABLE,MESSENGER,INSIDE,CMA2	CLAMPSPCBLMESSINSCMA2 KU
		1		RACK,WIRE,1W	RACK1W KU

# Construction Order - Design

Requested Completion: 01/08/2019  
 Design Revision: 1  
 Designer: LAUX, JACOB  
 Local District: LEXOC

WR Name: BRIGHTON BRIDGE TRAIL PRIMARY  
 RELOCATION JOB  
 Job Address: 3099 HELMSDALE PL  
 LEXINGTON KY 40509

WR#: 6113416  
 Project #: CPBWK315  
 Task #: 6113416R02  
 WR Type: ENPBWKN

Description: QUALIFY PUBLIC WORK OVERHEAD

POINT/SPAN	ACTION	QTY	UOM	DESCRIPTION	CJ CODE / IIN#
P14 NEW	I	1		XFMR,POLE,37,7.2KV:120/240V,1 PH	XFMR0H1P7.2/240/037 KU
POLE		1		ARRESTER,DIST,OH,9KV,POLYMER,NO MAP	ARR9KPOLYNOMAP KU
		1		BRACKET,INSULATOR/ARRESTER,1P,18I,FG	BKTMIF18FG KU
		1		CUTOUT,FUSED,NLB,15KV,200A,POLY,NOMAP	CONOM200ANLB15KV KU
		3		BRACKET,CONDUIT,STANDOFF,12IX16I	BKTS TOFF12X16 KU
		20		CONDUIT,PVC,2.5I,SCH80	CT102.5S80 KU
		40		CONDUIT,PVC,2.5I,SCH40	CT102.5S40 KU

Point: P13  
 PO8368715714

POINT/SPAN	ACTION	QTY	UOM	DESCRIPTION	CJ CODE / IIN#
P13	I	1		GROUND,DRIVEN,DISTRIBUTION	GNDDRIVEN KU
		1		ELBOW,CONDUIT,3IX24I,PVC,SCH40,90DEG	CTEL3S4024 KU
		2		ELBOW,CONDUIT,2.5IX24I,PVCSCH40,90DEG	CTEL2.5S4024 KU
		1		PEDESTAL,UG,SEC,PLASTIC	PEDUGSECPL KU
	R	1		XFMR,POLE,37,7.2KV:120/240V,1 PH	XFMR0H1P7.2/240/037 KU
	S	1		POLE,WOOD,45F,3,CREOSOTE REM ONLY	PLWDCRE45C3 KU
		2		BRACKET,SPACER CABLE,ANGLE,15KV	BKTSPCBLANG KU
		6		INSULATOR,PIN,15KV,POLYMER,SKYGRAY	INSPINPOLY KU
		2		CLAMP,SPACER CABLE,MESSENGER,INSIDE,CMA2	CLAMPSPCBLMESSINSCMA 2 KU
		1		ROD,GROUND,STD,5/8IX8F	GNDROD KU
		1		GUY,SPAN,3/8IN,HARDWARE/LABOR,6IPOR	GUYSPANHDWLAB3/8I6I KU
		1		ARRESTER,DIST,OH,9KV,POLYMER,NO MAP	ARR9KPOLYNOMAP KU
		1		CUTOUT,FUSED,NLB,15KV,100A,POLY,NOMAP	CONOM100ANLB15KV KU
		1		RACK,WIRE,1W	RACK1W KU
		3		BRACKET,CONDUIT,STANDOFF,12IX16I	BKTS TOFF12X16 KU

# Construction Order - Design

Requested Completion: 01/08/2019  
 Design Revision: 1  
 Designer: LAUX, JACOB  
 Local District: LEXOC

WR Name: BRIGHTON BRIDGE TRAIL PRIMARY  
 RELOCATION JOB  
 Job Address: 3099 HELMSDALE PL  
 LEXINGTON KY 40509

WR#: 6113416  
 Project #: CPBWK315  
 Task #: 6113416R02  
 WR Type: ENPBWKN

**QUALIFY PUBLIC WORK OVERHEAD**

POINT/SPAN	ACTION	QTY	UOM	DESCRIPTION	CU CODE / IIN#
Point: P13 PO8368715714	S	20		CONDUIT,PVC,2.5I,SCH40	CT102.5S40 KU
		40		CONDUIT,PVC,2.5I,SCH80	CT102.5S80 KU
Span: P14 to P13 LENGTH: 20				FROM P14 TO P13 NEW ELEC PULL BOX (WAS PO8368713714) INSTALL 20FT 2AL UG SECONDARY AND CONDUIT	
	I	1		CABLE,UG,TPX,(2)2A/4A N,SEC	SECAL2UGT KU
	I	1		CONDUIT,PVC,2I,SCH40	CT102S40 KU
Span: P13 to PO8373914006 LENGTH: 144				FROM P13 TO PO8373914006 REMOVE 1 SPAN GUY - 7/16 EHS	
	S	1		GUY,SPAN,7/16",EHS,STEEL,TYPE B	GUYSPAN7/16I KU
Span: P14 to P15 LENGTH: 197				FROM P14 TO P15 INSTALL 2 SPAN GUYS - 7/16 EHS	
	I	2		GUY,SPAN,7/16",EHS,STEEL,TYPE B	GUYSPAN7/16I KU
Point: P15 PO8390213786				PO8390213786 - EXISTING 45/3 POLE - ASHLEY HOME FURNITURE PARKING LOT	
	I	2		BAND,POLE,4WAY,MEDIUM,GALV ST	POLEBANDMED KU
	2			ANCHOR,EXP,10I,8W,20K,STL,7/16EHS,6IPOR	ANC7/16EHS DG/10I/20K6I KU
	2			GUY,SPAN,7/16IN,HARDWARE/LABOR,6IPOR	GUYSPANHDWLAB7/16I6I KU
Span: P14 to P16 LENGTH: 128				FROM P14 TO P16 INSTALL 128FT 3 #795 SPACER CABLE AND 1 7#6 MESSENGER	
	I	3		CABLE,SPACER,15KV,795A POLY,19STRAND	PRIAL795SPCBL KU
	1			WIRE,MESSENGER,486I,7#6STRAND	PRIAL7/6MESS KU
Point: P16 NEW POLE				NEW POLE - NORTH SIDE OF LIQUOR BARN PARKING LOT	
	I	1		POLE,WOOD,55F,1,CCA	PLWDCCA55C1 KU
	1			BRACKET,SPACER CABLE,ANGLE,15KV	BKTSPCBLANG KU
	1			XARM,DEADEND ASMBLY,FBRGLS,8FT,HVY DUTY	XARMDEASMBLYFB8FTHD KU



# Construction Order - Design

Requested Completion: 01/08/2019  
 Design Revision: 1  
 Designer: LAUX, JACOB  
 Local District: LEXOC

WR Name: BRIGHTON BRIDGE TRAIL PRIMARY  
 RELOCATION JOB  
 Job Address: 3099 HELMSDALE PL  
 LEXINGTON KY 40509

WR#: 6113416  
 Project #: CPBWK315  
 Task #: 6113416R02  
 WR Type: ENPBWKN

Description: QUALIFY PUBLIC WORK OVERHEAD

POINT/SPAN	ACTION	QTY	UOM	DESCRIPTION	CU CODE / IIN#
Point: P16 NEW POLE	I	3		INSULATOR,SUSP,UNITARY,POLYMER	INSSUSPPOLY KU
		3		INSULATOR,PIN,15KV,POLYMER,SKYGRAY	INSPINPOLY KU
		3		PIN,XARM,5/8INX6IN,NYLON	PININXA5/8X6N KU
		2		BAND,POLE,4WAY,MEDIUM,GALV ST	POLEBANDMED KU
		3		GRIP,DEADEND,SPACER CABLE,795	GRIPDE795SPACER KU
		1		GRIP,DEADEND,MESS,0.5I,ALUMOWELD,7#6	GRIPMESS7/6 KU
		3		ANCHOR,EXP,10I,8W,20K,STL,7/16EHS,6IPOR	ANC7/16EHS DG/10I/20K6I KU
		1		ROD,GROUND,STD,5/8IX8F	GNDROD KU
		1		CLAMP,SPACER CABLE,MESSANGER,INSIDE,CMA2	CLAMPSPCBLMESSINSCMA 2 KU

Point: P17 NEW POLE	ACTION	QTY	UOM	DESCRIPTION	CU CODE / IIN#
	I	1		POLE,WOOD,50F,2,CCA	PLWDCCA50C2 KU
		1		XARM,DEADEND ASMBLY,FBRGLS,8FT,HVY DUTY	XARMDEASMBLYFB8FTHD KU
		3		INSULATOR,SUSP,UNITARY,POLYMER	INSSUSPPOLY KU
		2		BAND,POLE,4WAY,MEDIUM,GALV ST	POLEBANDMED KU
		3		GRIP,DEADEND,SPACER CABLE,795	GRIPDE795SPACER KU
		1		GRIP,DEADEND,MESS,0.5I,ALUMOWELD,7#6	GRIPMESS7/6 KU
		3		ARRESTER,DIST,OH,9KV,POLYMER,NO MAP	ARR9KPOLYNOMAP KU
		2		ANCHOR,EXP,10I,8W,20K,STL,7/16EHS,6IPOR	ANC7/16EHS DG/10I/20K6I KU
		1		ROD,GROUND,STD,5/8IX8F	GNDROD KU
		3		CUTOUT,FUSED,LDBK,15KV,100A,POLY,MAP	COMAP100ALDBK15KV KU
		3		FUSE LINK,QA,050A	FULINKQA050A KU
		4		BRACKET,CONDUIT,STANDOFF,12IX16I	BKTSTOFF12X16 KU

# Construction Order - Design

WR#: 6113416  
 Project #: CPBWK315  
 Task #: 6113416R02  
 WR Type: ENPBWKN

WR Name: BRIGHTON BRIDGE TRAIL PRIMARY  
 RELOCATION JOB  
 Job Address: 3099 HELMSDALE PL  
 LEXINGTON KY 40509

Requested Completion: 01/08/2019

Design Revision: 1  
 Designer: LAUX, JACOB  
 Local District: LEXOC

**QUALIFY PUBLIC WORK OVERHEAD**

POINT/SPAN	ACTION	QTY	UOM	DESCRIPTION	CU CODE / IIN#
Point: P17 NEW POLE	I	20		CONDUIT,PVC,4I,SCH40	CT104S40 KU
		10		CONDUIT,PVC,4I,SCH80	CT104S80 KU
		3		TERMINATOR,UG,OUTDR,1/0,15KV,200A,1PIECE	TERMOD1/0A KU
		1		FIBERGLASS ARM 8 FT TANG/6400 LB 300 FT SPAN	XARMTANGFG8FT6400LBV ERT KU
<hr/>					
Span: P17 to P21 - UG PULL BOX LENGTH: 90	I			FROM P17 TO P21 NEW KU ELEC UG PULL BOX INSTALL 90FT OF 3 #1/0 UG PRIMARY CONDUIT,PVC,4I,SCH40	CT104S40 KU
		1		CABLE,UG,15KV,1/0A,3/C,TR XLPE,C/N,JKT	PRIAL1/0UG3C KU
<hr/>					
Point: P21 NEW UG PULL BOX	I			P21: NEW KU UG ELECTRIC PULL BOX ENCLOSURE,UG,3P,FT,30X60X18I,FG,1CUP	FTENCL3PFG1CUP KU
		3		JUNCTION,UG,FDTHRU,3POS,LB,15KV,200A	FTJUNC3POS KU
		6		TERMINATOR,UG,ELBOW,1/0,15KV,200A	TERMEL1/0A KU
		1		GROUND,DRIVEN,DISTRIBUTION	GNDDRIVEN KU
		4		ELBOW,CONDUIT,4IX36I.PVC,SCH40,90DEG	CTEL4S4036 KU
<hr/>					
Span: P21 - KU UG PULL BOX to P22 - KU UG TFMR PAD LENGTH: 110	I			FROM P21 TO P22 NEW KU ELEC UG PULL BOX INSTALL 90FT OF 3 #1/0 UG PRIMARY CABLE,UG,15KV,1/0A,3/C,TR XLPE,C/N,JKT	PRIAL1/0UG3C KU
<hr/>					
Point: P22 KU UG TFMR PAD	I			P22: EXISTING KU UG TRANSFORMER PAD TLM: 5662032	TERMEL1/0A KU
	S	3		TERMINATOR,UG,ELBOW,1/0,15KV,200A	TERMEL2A KU
	S	3		TERMINATOR,UG,ELBOW,2,15KV,200A	
<hr/>					
Point: P18 PO8355213753	S			PO8355213753 - REMOVAL ONLY POLE,WOOD,50F,2,CCA	PLWDCCA50C2 KU
		1		CROSSARM,WOOD,3.75IX4.75IX8F	XARM8 KU
		1		BRACKET,SPACER CABLE,ANGLE,15KV	BKTSPCBLANG KU

# Construction Order - Design

Requested Completion: 01/08/2019  
 Design Revision: 1  
 Designer: LAUX, JACOB  
 Local District: LEXOC

WR Name: BRIGHTON BRIDGE TRAIL PRIMARY  
 RELOCATION JOB  
 Job Address: 3099 HELMSDALE PL  
 LEXINGTON KY 40509

WR#: 6113416  
 Project #: CPBWK315  
 Task #: 6113416R02  
 WR Type: ENPBWKN

Description: QUALIFY PUBLIC WORK OVERHEAD

POINT/SPAN	ACTION	QTY	UOM	DESCRIPTION	CJ CODE / IIN#
Point: P18 PO8355213753	S	3		INSULATOR,PIN,15KV,POLYMER,SKYGRAY	INSPINPOLY KU
		2		BAND,POLE,4WAY,MEDIUM,GALV ST	POLEBANDMED KU
		1		CLAMP,SPACER CABLE,MESSENGER,INSIDE,CMA2	CLAMPSPCBLMESSINSCMA 2 KU
		4		ANCHOR,EXP,10I,8W,20K,STL,7/16EHS,6IPOR	ANC7/16EHS DG/10I/20K6I KU
		1		ROD,GROUND,STD,5/8IX8F	GNDROD KU
		3		ARRESTER,DIST,OH,9KV,POLYMER,NO MAP	ARR9KPOLYNOMAP KU
		3		CUTOUT,FUSED,LDBK,15KV,200A,POLY,MAP	COMAP200ALDBK15KV KU
		3		FUSE LINK,QA,050A	FULINKQA050A KU
		3		TERMINATOR,UG,OUTDR,1/0,15KV,200A,1PIECE	TERMOD1/0A KU
		4		BRACKET,CONDUIT,STANDOFF,12IX16I	BKTS TOFF12X16 KU
		20		CONDUIT,PVC,4I,SCH40	CT104S40 KU
		10		CONDUIT,PVC,4I,SCH80	CT104S80 KU

Point: P23 NEW POLE

POINT/SPAN	ACTION	QTY	UOM	DESCRIPTION	CJ CODE / IIN#
				P23: NEW POLE - EAST OF BRIDGE START	
	I	2		BRACKET,SPACER CABLE,ANTISWAY,FRT MT,24I	BKTSPCBLASF24 KU
		2		BRACKET,SPACER CABLE,TANGENT MESS,24I	BKTSPCBLTMS24 KU
		4		ROD,GROUND,STD,5/8IX8F	GNDROD KU
		6		ARRESTER,DIST,OH,9KV,POLYMER,NO MAP	ARR9KPOLYNOMAP KU
		1		SWITCH,GRP OP,15KV,900A,HORZ,SDOP,MAP	SWABMAP15900HORZ KU
		1		POLE,WOOD,45F,3,CCA	PLWDCCA45C3 KU

Span: P3 to P24  
 LENGTH: 70

POINT/SPAN	ACTION	QTY	UOM	DESCRIPTION	CJ CODE / IIN#
				FROM P3 TO P24	
				REMOVE 6 #795 SPACER CABLE AND 2 #6 MESSENGER - CKT 149 & P150	
	S	6		CABLE,SPACER,15KV,795A POLY,19STRAND	PRIAL795SPCBL KU
		2		WIRE,MESSENGER,486I,7#6STRAND	PRIAL7/6MESS KU

# Construction Order - Design

Requested Completion: 01/08/2019  
 Design Revision: 1  
 Designer: LAUX, JACOB  
 Local District: LEXOC

WR Name: BRIGHTON BRIDGE TRAIL PRIMARY  
 RELOCATION JOB  
 Job Address: 3099 HELMSDALE PL  
 LEXINGTON KY 40509

WR#: 6113416  
 Project #: CPBWK315  
 Task #: 6113416R02  
 WR Type: ENPBWKN

Description: QUALIFY PUBLIC WORK OVERHEAD

POINT/SPAN	ACTION	QTY	UOM	DESCRIPTION	CJ CODE / IIN#
P24: PO8303513881 - OLD LOCATION FOR REMOVAL					
Point: P24 PO8303513881 OLD	S	1		POLE,WOOD,30F,6,CCA	PLWDCCA30C6 KU
		2		BRACKET,SPACER CABLE,ANGLE,15KV	BKTSPCBLANG KU
		12		INSULATOR,PIN,15KV,POLYMER,SKYGRAY	INSPINPOLY KU
		2		BAND,POLE,4WAY,MEDIUM,GALV ST	POLEBANDMED KU
		4		CLAMP,SPACER CABLE,MESSSENGER,INSIDE,CMA2	CLAMPSPCBLMESSINSCMA 2 KU
		8		ANCHOR,EXP,10I,8W,20K,STL,7/16EHS,6IPOR	ANC7/16EHS DG/10I/20K6I KU
		6		PLATE,SPACER CABLE,DOUBLE INSULATOR	INSDBLINSPLATE KU
		1		ROD,GROUND,STD,5/8IX8F	GNDROD KU

Span: P24 to P25  
 LENGTH: 204

FROM P24 TO P25  
 REMOVE 6 #795 SPACER CABLE AND 2 #6 MESSENGER - CKT 149 & CKT 150  
 CABLE,SPACER,15KV,795A POLY,19STRAND  
 WIRE,MESSENGER,486I,7#6STRAND

PRIAL795SPCBL KU  
 PRIAL7/6MESS KU

Point: P25  
 PO8321213862 OLD

P25: PO8321213862 - OLD POLE LOCATION FOR REMOVAL

R 1 XFMR,POLE,10,7.2KV:120/240V,1 PH  
 S 1 POLE,WOOD,50F,2,CREOSOTE REM ONLY  
 14 INSULATOR,SUSP,UNITARY,POLYMER  
 5 INSULATOR,PIN,15KV,PORC  
 4 BAND,POLE,4WAY,MEDIUM,GALV ST  
 6 GRIP,DEADEND,SPACER CABLE,795  
 2 GRIP,DEADEND,MESS,0.5I,ALUMOWELD,7#6  
 7 ARRESTER,DIST,OH,9KV,POLYMER,NO MAP  
 3 LINK,EXTENSION,12I,FG,EYE/CLEVIS

XFMROH1P7.2/240/010 KU  
 PLWDCRE50C2 KU  
 INSSUSPPOLY KU  
 INSPINPOR KU  
 POLEBANDMED KU  
 GRIPDE795SPACER KU  
 GRIPMESS7/6 KU  
 ARR9KPOLYNOMAP KU  
 INSEXTLINKFG KU

# Construction Order - Design

Requested Completion: 01/08/2019  
 Design Revision: 1  
 Designer: LAUX, JACOB  
 Local District: LEXOC

WR Name: BRIGHTON BRIDGE TRAIL PRIMARY  
 RELOCATION JOB  
 Job Address: 3099 HELMSDALE PL  
 LEXINGTON KY 40509

WR#: 6113416  
 Project #: CPBWK315  
 Task #: 6113416R02  
 WR Type: ENPBWKN

Description: QUALIFY PUBLIC WORK OVERHEAD

POINT/SPAN	ACTION	QTY	UOM	DESCRIPTION	CU CODE / IIN#
P25 PO8321213862 OLD	S	4		ANCHOR,EXP,10I,8W,20K,STL,7/16EHS,6IPOR	ANC716EHS DG/10I/20K6I KU
		1		ROD,GROUND,STD,5/8IX8F	GNDROD KU
		1		CUTOUT,FUSED,NLB,15KV,100A,POLY,NOMAP	CONOM100ANLB15KV KU
		1		BRACKET,INSULATOR/ARRESTER,1P,18I,FG	BKTMIF18FG KU
		4		FIBERGLASS ARM 8 FT TANG/6400 LB 300 FT SPAN	XARMTANGFG8FT6400LBV ERT KU

Span: P25 to P5  
 LENGTH: 10

FROM P25 TO P5:  
 REMOVE 10FT OF 3 #795 ACSR PRIMARY AND 1 397 ACSR NEUTRAL - CKT 149  
 S WIRE,397,ACSR/BARE,18/1,CHICKADEE  
 3 WIRE,795,ACSR/BARE,26/7,DRAKE

PRIAL397BARE KU  
 PRIAL795DBARE KU

Span: P25 to P26  
 LENGTH: 54

FROM P25 TO P26  
 REMOVE 54FT OF 3 #765 SPACER CABLE AND 1 7#6 MESSENGER - CKT 150  
 REMOVE 3 #2/0AL PRIMARY AND 1 #2AL NEUTRAL - CKT 149  
 S WIRE,MESSENGER,486I,7#6STRAND  
 3 WIRE,2/0,ACSR/BARE,6/1,QUAIL  
 1 WIRE,2,ACSR/BARE,6/1,SPARROW  
 3 CABLE,SPACER,15KV,795A POLY,19STRAND

PRIAL76MESS KU  
 PRIAL20BARE KU  
 PRIAL2BARE KU  
 PRIAL795SPCBL KU

Point: P26  
 PO8334013849 OLD

P26: PO8334013849 OLD LOCATION FOR REMOVAL

S	1			POLE,WOOD,45F,3,CCA	PLWDCCA45C3 KU
	1			CROSSARM,WOOD,3.75IX4.75IX8F	XARM8 KU
	3			INSULATOR,PIN,15KV,PORC	INSPINPOR KU
	2			PIN,XARM,5/8INX6IN,NYLON	PININXA5/8X6N KU
	1			PIN,POLETOP,15I,STEEL,RM ONLY	PININSPTP15 KU
	3			BRACKET,INSULATOR/ARRESTER,1P,18I,FG	BKTMIF18FG KU
	3			ARRESTER,DIST,OH,9KV,POLYMER,NO MAP	ARR9KPOLYNOMAP KU

# Construction Order - Design

Requested Completion: 01/08/2019  
 Design Revision: 1  
 Designer: LAUX, JACOB  
 Local District: LEXOC

WR Name: BRIGHTON BRIDGE TRAIL PRIMARY  
 RELOCATION JOB  
 Job Address: 3099 HELMSDALE PL  
 LEXINGTON KY 40509

WR#: 6113416  
 Project #: CPBWK315  
 Task #: 6113416R02  
 WR Type: ENPBWKN

Description: QUALIFY PUBLIC WORK OVERHEAD

POINT/SPAN	ACTION	QTY	UOM	DESCRIPTION	CJ CODE / IIN#
Point: P26 PO8334013849 OLD	S	3		CUTOUT,FUSED,LDBK,15KV,200A,POLY,MAP	COMAP200ALDBK15KV KU
		3		TERMINATOR,UG,OUTDR,1/0,15KV,200A,1PIECE	TERMOD1/0A KU
		3		BRACKET,CONDUIT,STANDOFF,12IX16I	BKTSTOFF12X16 KU
		20		CONDUIT,PVC,4I,SCH40	CT104S40 KU
		10		CONDUIT,PVC,4I,SCH80	CT104S80 KU
		1		ROD,GROUND,STD,5/8IX8F	GNDROD KU
		1		RACK,WIRE,1W	RACK1W KU

Span: P26 to P27  
 LENGTH: 8

	S	1		WIRE,MESSENGER,486I,7#6STRAND	PRIAL7/6MESS KU
		3		WIRE,2/0,ACSR/BARE,6/1,QUAIL	PRIAL2/0BARE KU
		3		CABLE,SPACER,15KV,795A POLY,19STRAND	PRIAL795SPCBL KU
		1		WIRE,2,ACSR/BARE,6/1,SPARROW	PRIAL2BARE KU

Span: P26 to P19 -  
 ELEC PULL BOX  
 LENGTH: 190

	S	1		CABLE,UG,15KV,#2/0A,3/C TPX,TR XLPE,RM	PRIAL2/0UG3C KU
--	---	---	--	--	-----------------

Point: P27  
 PO8333013849 OLD

P27: PO8333013849 - OLD LOCATION FOR REMOVAL					
	S	1		POLE,WOOD,55F,2,CCA	PLWDCCA55C2 KU
		2		XARM,DEADEND ASMBLY,FBRGLS,8FT,HVY DUTY	XARMDEASMBLYFB8FTHD KU
		1		CROSSARM,WOOD,3.75IX4.75IX8F	XARM8 KU
		8		INSULATOR,SUSP,UNITARY,POLYMER	INSSUSPPOLY KU
		4		INSULATOR,PIN,15KV,PORC	INSPINPOR KU
		2		BAND,POLE,4WAY,MEDIUM,GALV ST	POLEBANDMED KU

# Construction Order - Design

Requested Completion: 01/08/2019  
 Design Revision: 1  
 Designer: LAUX, JACOB  
 Local District: LEXOC

WR Name: BRIGHTON BRIDGE TRAIL PRIMARY  
 RELOCATION JOB  
 Job Address: 3099 HELMSDALE PL  
 LEXINGTON KY 40509

WR#: 6113416  
 Project #: CPBWK315  
 Task #: 6113416R02  
 WR Type: ENPBWKN

Description: QUALIFY PUBLIC WORK OVERHEAD

POINT/SPAN	ACTION	QTY	UOM	DESCRIPTION	CU CODE / IIN#
Point: P27 PO8333013849 OLD	S	4		ANCHOR,EXP,10I,8W,20K,STL,7/16EHS,6IPOR	ANC716EHSDG/10I/20K6I KU
		1		ROD,GROUND,STD,5/8IX8F	GNDROD KU
		6		LINK,EXTENSION,12I,FG,EYE/CLEVIS	INSEXTLINKFG KU
		1		RACK,WIRE,1W	RACK1W KU
Span: P6 to P27 LENGTH: 10				FROM P6 TO P27 REMOVE 10FT OF 3 #795 ACSR PRIMARY AND 1 #397 ACSR NEUTRAL - CKT 150	
	S	3		WIRE,795,ACSR/BARE,26/7,DRAKE	PRIAL795DBARE KU
		1		WIRE,397,ACSR/BARE,18/1,CHICKADEE	PRIAL397BARE KU
Span: P27 to P28 LENGTH: 14				FROM P27 TO P28 REMOVE 14FT OF 3 #2/0AL PRIMARY AND 1 #2AL NEUTRAL - CKT 149	
	S	3		WIRE,2/0,ACSR/BARE,6/1,QUAIL	PRIAL2/0BARE KU
		1		WIRE,2,ACSR/BARE,6/1,SPARROW	PRIAL2BARE KU
Point: P28 PO8336513847 OLD				PO8336513847 - OLD POLE LOCATION FOR REMOVAL	
	S	1		POLE,WOOD,45F,2,CCA	PLWDCCA45C2 KU
		1		ASSEMBLY,DE,WOOD,BRACES,8F,HEAVY	XARMDE8HBR KU
		1		CROSSARM,WOOD,3.75IX4.75IX8F	XARM8 KU
		3		INSULATOR,SUSP,UNITARY,POLYMER	INSSUSPPOLY KU
		3		ARRESTER,DIST,OH,9KV,POLYMER,NO MAP	ARR9KPOLYNOMAP KU
		3		CUTOUT,FUSED,LDBK,15KV,200A,POLY,MAP	COMAP200ALDBK15KV KU
		3		TERMINATOR,UG,OUTDR,2/0,15KV,200A,1PIECE	TERMOD2/0A KU
		4		BRACKET,CONDUIT,STANDOFF,12IX16I	BKTSTOFF12X16 KU
		1		RACK,WIRE,1W	RACK1W KU
		20		CONDUIT,PVC,3I,SCH40	CT103S40 KU
		10		CONDUIT,PVC,3I,SCH80	CT103S80 KU

# Construction Order - Design

Requested Completion: 01/08/2019

WR Name: BRIGHTON BRIDGE TRAIL PRIMARY  
RELOCATION JOB

WR#: 6113416

Design Revision: 1

Job Address: 3099 HELMSDALE PL  
LEXINGTON KY 40509

Project #: CPBWK315

Designer: LAUX, JACOB

Local District: LEXOC

Task #: 6113416R02

WR Type: ENPBWKN

Description: QUALIFY PUBLIC WORK OVERHEAD

POINT/SPAN	ACTION	QTY	UOM	DESCRIPTION	CJ CODE / IIN#
Point: P28	S	1		ROD,GROUND,STD,5/8IX8F	GNDROD KU
Span: P28 to P20 - ELEC PULL BOX LENGTH: 170				FROM P28 TO P20 KU 3PH UG ELEC PULL BOX REMOVE 170FT OF 3 #2/0AL 12KV UG PRIMARY AND CONDUIT	
Span: P9 to P18 LENGTH: 252	S	1		CABLE,UG,15KV,#2/0A,3/C TPX,TR XLPE,RM	PRIAL2/0UG3C KU
				FROM P9 TO P18 REMOVE 252FT OF 3 #795 SPACER CABLE AND 1 7#6 MESSENGER	
	S	1		WIRE,MESSENGER,486I,7#6STRAND	PRIAL7/6MESS KU
				CABLE,SPACER,15KV,795A POLY,19STRAND	PRIAL795SPCBL KU
Span: P18 to P17 - NEW POLE LENGTH: 62	S	1		FROM P18 TO P17 REMOVE 62FT OF 3 #795 SPACER CABLE AND 1 7#6 MESSENGER	
				WIRE,MESSENGER,486I,7#6STRAND	PRIAL7/6MESS KU
				CABLE,SPACER,15KV,795A POLY,19STRAND	PRIAL795SPCBL KU
Span: P18 to P22 - KU UG TFMR PAD LENGTH: 150	S	1		FROM P18 TO P22 KU UG ELEC. TFMR PAD TLM: 5662032 REMOVE 150FT OF 3 #2AL TRIPLEX UG PRIMARY CABLE,UG,15KV,#2A,3/C,TRXLPE,C/N,JKT	
					PRIAL2UG3C KU