

INVITATION TO BID

Bid Invitation Number: #43-2012

Date of Issue: 03/20/2012

Sealed bids will be received in the office of the Division of Central Purchasing, 200 East Main Street, Lexington, Kentucky, until **2:00 PM**, prevailing local time on **03/27/2012**. Bids must be received by the above-mentioned date and time. Mailed bids should be sent to:

Division of Central Purchasing
200 East Main Street, Rm 338
Lexington, KY 40507, (859) 258-3320

The Lexington-Fayette Urban County Government assumes no responsibility for bids that are not addressed and delivered as indicated above. Bids that are not delivered to the Division of Central Purchasing by the stated time and date will be rejected.

All bids must have the company name and address, bid invitation number, and the commodity/service on the outside of the envelope.

Bids are to include all shipping costs to the point of delivery located at: see specifications

Bid Security Required: Yes No Performance Bond Required: Yes No
Cashier Check, Certified Check, Bid Bond (Personal checks and company checks will not be acceptable).

QTY	Commodity/Service
PCT	Fabricated Stainless Steel Slide Gates
See specifications	

<p style="text-align: center;">Check One:</p> <p><input checked="" type="checkbox"/> Bid Specifications Met</p> <p><input type="checkbox"/> Exceptions to Bid Specifications. <i>Exceptions shall be itemized and attached to bid proposal submitted.</i></p>	<p style="text-align: center;">Proposed Delivery:</p> <p>_____ days after acceptance of bid.</p>
<p>Procurement Card Usage</p> <p><input type="checkbox"/> Yes The Lexington-Fayette Urban County Government will be using Procurement Cards to purchase goods and services and also to make payments. Will you accept Procurement Cards?</p> <p><input checked="" type="checkbox"/> No</p>	

Submitted by:

Hydro Controls, Inc.

Firm
473 Cincinnati-Batavia Pike, Suite 2

Address

Cincinnati, OH 45244

City, State & Zip

**Bid must be signed:
(original signature)**



Signature of Authorized Company Representative – Title
Jim Rheude

Representative's Name (Typed or printed)

513-474-7400 x16 513-474-7401

Area Code - Phone – Extension

Fax #

jrheude@hydrocontrols.net

E-Mail Address

The Affidavit in this bid must be completed before your firm can be considered for award of this contract.

AFFIDAVIT

Comes the Affiant, James Rheude, and after being first duly sworn under penalty of perjury as follows:

1. His/her name is James Rheude and he/she is the individual submitting the bid or is the authorized representative of Hydro Controls, Inc, the entity submitting the bid (hereinafter referred to as "Bidder").

2. Bidder will pay all taxes and fees, which are owed to the Lexington-Fayette Urban County Government at the time the bid is submitted, prior to award of the contract and will maintain a "current" status in regard to those taxes and fees during the life of the contract.

3. Bidder will obtain a Lexington-Fayette Urban County Government business license, if applicable, prior to award of the contract.

4. Bidder has authorized the Division of Central Purchasing to verify the above-mentioned information with the Division of Revenue and to disclose to the Urban County Council that taxes and/or fees are delinquent or that a business license has not been obtained.

5. Bidder has not knowingly violated any provision of the campaign finance laws of the Commonwealth of Kentucky within the past five (5) years and the award of a contract to the Bidder will not violate any provision of the campaign finance laws of the Commonwealth.

6. Bidder has not knowingly violated any provision of Chapter 25 of the Lexington-Fayette Urban County Government Code of Ordinances, known as "Ethics Act."

7. Bidder acknowledges that "knowingly" for purposes of this Affidavit means, with respect to conduct or to circumstances described by a statute or ordinance defining an offense, that a person is aware or should have been aware that his conduct is of that nature or that the circumstance exists.

Further, Affiant sayeth naught.

James M. Rheude

STATE OF Kentucky

COUNTY OF Fayette

The foregoing instrument was subscribed, sworn to and acknowledged before me by James Rheude on this the 26th day of March, 2012.

My Commission expires: March 9, 2013

RACHEL S. EAST
Notary Public, State of Kentucky
Commission Expires March 9, 2013

Rachel S. East
NOTARY PUBLIC, STATE AT LARGE

Please refer to Section II. Bid Conditions, Item "U" prior to completing this form.

I. GREEN PROCUREMENT

A. ENERGY

The Lexington-Fayette Urban County Government is committed to protecting our environment and being fiscally responsible to our citizens.

The Lexington-Fayette Urban County Government mandates the use of Energy Star compliant products if they are available in the marketplace (go to www.Energystar.gov). If these products are available, but not submitted in your pricing, your bid will be rejected as non-compliant.

ENERGY STAR is a government program that offers businesses and consumers energy-efficient solutions, making it easy to save money while protecting the environment for future generations.

Key Benefits

These products use 25 to 50% less energy
Reduced energy costs without compromising quality or performance
Reduced air pollution because fewer fossil fuels are burned
Significant return on investment
Extended product life and decreased maintenance

B. GREEN SEAL CERTIFIED PRODUCTS

The Lexington-Fayette Urban County Government is also committed to using other environmentally friendly products that do not negatively impact our environment. Green Seal is a non-profit organization devoted to environmental standard setting, product certification, and public education.

Go to www.GreenSeal.org to find available certified products. These products will have a reduced impact on the environment and on human health. The products to be used must be pre-approved by the LFUCG prior to commencement of any work in any LFUCG facility. If a Green Seal product is not available, the LFUCG must provide a signed waiver to use an alternate product. Please provide information on the Green Seal products being used with your bid response.

C. GREEN COMMUNITY

The Lexington-Fayette Urban County Government (LFUCG) serves as a principal, along with the University of Kentucky and Fayette County Public Schools, in the Bluegrass Partnership for a Green Community. The Purchasing Team component of the Partnership collaborates on economy of scale purchasing that promotes and enhances environmental initiatives. Specifically, when applicable, each principal is interested in obtaining best value products and/or services which promote environment initiatives via solicitations and awards from the other principals.

If your company is the successful bidder on this Invitation For Bid, do you agree to extend the same product/service pricing to the other principals of the Bluegrass Partnership for a Green Community (i.e. University of Kentucky and Fayette County Schools) if requested?

Yes No

II. Bid Conditions

- A. No bid may be withdrawn for a period of sixty (60) days after the date and time set for opening.
- B. No bid may be altered after the date and time set for opening. In the case of obvious errors, the Division of Central Purchasing may permit the withdrawal of a bid. The decision as to whether a bid may be withdrawn shall be that of the Division of Central Purchasing.
- C. Acceptance of this proposal shall be enactment of an Ordinance by the Urban County Council.
- D. The bidder agrees that the Urban County Government reserves the right to reject any and all bids for either fiscal or technical reasons, and to award each part of the bid separately or all parts to one vendor.
- E. Minor exceptions may not eliminate the bidder. The decision as to whether any exception is minor shall be entirely that of the head of the requisitioning Department or Division and the Director of the Division of Central Purchasing. The Urban County Government may waive technicalities and informalities where such waiver would best serve the interests of the Urban County Government.
- F. Manufacturer's catalogue numbers, trade names, etc., where shown herein are for descriptive purposes and are to guide the bidder in interpreting the standard of quality, design, and performance desired, and shall not be construed to exclude proposals based on furnishing other types of materials and/or services. However, any substitution or departure proposed by the bidder must be clearly noted and described; otherwise, it will be assumed that the bidder intends to supply items specifically mentioned in this Invitation for Bids.
- G. The Urban County Government may require demonstrations of the materials proposed herein prior to acceptance of this proposal.
- H. Bids must be submitted on this form and must be signed by the bidder or his authorized representative. Unsigned bids will not be considered.
- I. Bids must be submitted prior to the date and time indicated for opening. Bids submitted after this time will not be considered.
- J. All bids mailed must be marked on the face of the envelope:

"Bid on #43-2012 Fabricated Stainless Steel Slide Gates"

and addressed to: Division of Central Purchasing
 200 East Main Street, Room 338
 Lexington, Kentucky 40507

The Lexington-Fayette Urban County Government assumes no responsibility for bids that are not addressed and delivered as indicated above. Bids that are not delivered to the Division of Central Purchasing by the stated time and date will be rejected.

- K. Bidder is requested to show both unit prices and lot prices. In the event of error, the unit price shall prevail.
- L. A certified check or Bid Bond in the amount of XX percent of the bid price must be attached hereto. This check must be made payable to the Lexington-Fayette Urban County Government, and will be returned when the material and/or services specified herein have been delivered in accordance with specifications. In the event of failure to perform within the time period set forth

in this bid, it is agreed the certified check may be cashed and the funds retained by the Lexington-Fayette Urban County Government as liquidated damages. Checks of unsuccessful bidders will be returned when the bid has been awarded.

- M. The delivery dates specified by bidder may be a factor in the determination of the successful bidder.
- N. Tabulations of bids received may be mailed to bidders. Bidders requesting tabulations must enclose a stamped, self-addressed envelope with the bid.
- O. The Lexington-Fayette Urban County Government is exempt from Kentucky Sales Tax and Federal Excise Tax on materials purchased from this bid invitation. Materials purchased by the bidder for construction projects are not tax exempt and are the sole responsibility of the bidder.
- P. All material furnished hereunder must be in full compliance with OSHA regulations.
- Q. If more than one bid is offered by one party, or by any person or persons representing a party, all such bids shall be rejected.
- R. Signature on the face of this bid by the Bidder or his authorized representative shall be construed as acceptance of and compliance with all terms and conditions contained herein.
- S. The Entity (regardless of whether construction contractor, non-construction contractor or supplier) agrees to provide equal opportunity in employment for all qualified persons, to prohibit discrimination in employment because of race, color, creed, national origin, sex or age, and to promote equal employment through a positive, continuing program from itself and each of its sub-contracting agents. This program of equal employment opportunity shall apply to every aspect of its employment policies and practices.
- T. The Kentucky Equal Employment Opportunity Act of 1978 (KRS 45.560-45.640) requires that any county, city, town, school district, water district, hospital district, or other political subdivision of the state shall include in directly or indirectly publicly funded contracts for supplies, materials, services, or equipment hereinafter entered into the following provisions:

During the performance of this contract, the contractor agrees as follows:

- (1) The contractor will not discriminate against any employee or applicant for employment because of race, color, religion, sex, age or national origin;*
- (2) The contractor will state in all solicitations or advertisements for employees placed by or on behalf of the contractors that all qualified applicants will receive consideration for employment without regard to race, color, religion, sex, age or national origin;*
- (3) The contractor will post notices in conspicuous places, available to employees and applicants for employment, setting forth the provisions of the non-discrimination clauses required by this section; and*
- (4) The contractor will send a notice to each labor union or representative of workers with which he has a collective bargaining agreement or other contract or understanding advising the labor union or workers' representative of the contractor's commitments under the nondiscrimination clauses.*

The Act further provides:

KRS 45.610. Hiring minorities - Information required

- (1) For the length of the contract, each contractor shall hire minorities from other sources*

within the drawing area, should the union with which he has collective bargaining agreements be unwilling to supply sufficient minorities to satisfy the agreed upon goals and timetable.

- (2) *Each contractor shall, for the length of the contract, furnish such information as required by KRS 45.560 to KRS 45.640 and by such rules, regulations and orders issued pursuant thereto and will permit access to all books and records pertaining to his employment practices and work sites by the contracting agency and the department for purposes of investigation to ascertain compliance with KRS 45.560 to 45.640 and such rules, regulations and orders issued pursuant thereto.*

KRS 45.620. Action against contractor - Hiring of minority contractor or subcontractor

- (1) *If any contractor is found by the department to have engaged in an unlawful practice under this chapter during the course of performing under a contract or subcontract covered under KRS 45.560 to 45.640, the department shall so certify to the contracting agency and such certification shall be binding upon the contracting agency unless it is reversed in the course of judicial review.*
- (2) *If the contractor is found to have committed an unlawful practice under KRS 45.560 to 45.640, the contracting agency may cancel or terminate the contract, conditioned upon a program for future compliance approved by the contracting agency and the department. The contracting agency may declare such a contractor ineligible to bid on further contracts with that agency until such time as the contractor complies in full with the requirements of KRS 45.560 to 45.640.*
- (3) *The equal employment provisions of KRS 45.560 to 45.640 may be met in part by a contractor by subcontracting to a minority contractor or subcontractor. For the provisions of KRS 45.560 to 45.640, a minority contractor or subcontractor shall mean a business that is owned and controlled by one or more persons disadvantaged by racial or ethnic circumstances.*

KRS 45.630 Termination of existing employee not required, when

Any provision of KRS 45.560 to 45.640 notwithstanding, no contractor shall be required to terminate an existing employee upon proof that that employee was employed prior to the date of the contract.

KRS 45.640 Minimum skills

Nothing in KRS 45.560 to 45.640 shall require a contractor to hire anyone who fails to demonstrate the minimum skills required to perform a particular job.

It is recommended that all of the provisions above quoted to be included as special conditions in each contract. In the case of a contract exceeding \$250,000, the contractor is required to furnish evidence that his work-force in Kentucky is representative of the available work-force in the area from which he draws employees, or to supply an Affirmative Action plan which will achieve such representation during the life of the contract.

- U. Any party, firm or individual submitting a proposal pursuant to this invitation must be in compliance with the requirements of the Lexington-Fayette Urban County Government regarding taxes and fees before they can be considered for award of this invitation and must maintain a "current" status with regard to those taxes and fees throughout the term of the contract. The contractor must be in compliance with Chapter 13 from the Code of Ordinances

of the Lexington-Fayette Urban County Government. The contractor must be in compliance with Ordinance 35-2000 pursuant to contractor registration with the Division of Building Inspection. If applicable, said business must have a Fayette County business license.

Pursuant to KRS 45A.343 and KRS 45A.345, the contractor shall

- (1) *Reveal any final determination of a violation by the contractor within the previous five year period pursuant to KRS Chapters 136 (corporation and utility taxes), 139 (sales and use taxes), 141 (income taxes), 337 (wages and hours), 338 (occupational safety and health of employees), 341 (unemployment and compensation) and 342 (labor and human rights) that apply to the contractor; and*
- (2) *Be in continuous compliance with the above-mentioned KRS provisions that apply to the contractor for the duration of the contract.*

A contractor's failure to reveal the above or to comply with such provisions for the duration of the contract shall be grounds for cancellation of the contract and disqualification of the contractor from eligibility for future contracts for a period of two (2) years.

- V. Vendors who respond to this invitation have the right to file a notice of contention associated with the bid process or to file a notice of appeal of the recommendation made by the Director of Central Purchasing resulting from this invitation.

Notice of contention with the bid process must be filed within 3 business days of the bid/proposal opening by (1) sending a written notice, including sufficient documentation to support contention, to the Director of the Division of Central Purchasing or (2) submitting a written request for a meeting with the Director of Central Purchasing to explain his/her contention with the bid process. After consulting with the Commissioner of Finance the Chief Administrative Officer and reviewing the documentation and/or hearing the vendor, the Director of Central Purchasing shall promptly respond in writing findings as to the compliance with bid processes. If, based on this review, a bid process irregularity is deemed to have occurred the Director of Central Purchasing will consult with the Commissioner of Finance, the Chief Administrative Officer and the Department of Law as to the appropriate remedy.

Notice of appeal of a bid recommendation must be filed within 3 business days of the bid recommendation by (1) sending a written notice, including sufficient documentation to support appeal, to the Director, Division of Central Purchasing or (2) submitting a written request for a meeting with the Director of Central Purchasing to explain his appeal. After reviewing the documentation and/or hearing the vendor and consulting with the Commissioner of Finance and the Chief Administrative Officer, the Director of Central Purchasing shall in writing, affirm or withdraw the recommendation.

III. Procurement Contract Bid Conditions

- A. The terms of this agreement shall be for 1 year from the date of acceptance of this contract by the Lexington-Fayette Urban County Government. This agreement may be extended for an additional 2-(1) year renewals upon the written agreement of the bidder and the Lexington-Fayette Urban County Government. Said agreement must be in writing and must be executed prior to the expiration of the current agreement.

- B. Price Changes (Space Checked Applies)
 - (XXX) 1. Prices quoted in response to the Invitation shall be firm prices for the first 90 days of the Procurement Contract. After 90 days, prices may be subject to revision and such changes shall be based on general industry changes. Revision may be either increases or decreases and may be requested by either party. There will be no more than one (1) price adjustment per quarter. Requests for price changes shall be received in writing at least twenty (20) days prior to the effective date and are subject to written acceptance before becoming effective. Proof of the validity of a request for revision shall be responsibility of the requesting party. The Lexington-Fayette Urban County Government shall receive the benefit of any decline that the seller shall offer his other accounts.

 - 2. No provision for price change is made herein. Prices are to be firm for the term of this contract.

 - 3. Procurement Level Contract

- C. If any contract item is not available from the vendor, the Lexington-Fayette Urban County Government, at its option, may permit the item to be back-ordered or may procure the item on the open market.

- D. All invoices must bear reference to the Lexington-Fayette Urban County Government Purchasing document numbers which are being billed.

- E. This contract may be canceled by either party thirty (30) days after delivery by canceling party of written notice of intent to cancel to the other contracting party.

- F. This contract may be canceled by the Lexington-Fayette Urban County Government if it is determined that the Bidder has failed to perform under the terms of this agreement, such cancellation to be effective upon receipt of written notice of cancellation by the Bidder.

- G. No substitutions for articles specified herein may be made without prior approval of the Division of Central Purchasing.

UNIT PRICE CONTRACT
FOR
Fabricated Stainless Steel Slide Gate

GENERAL

1. The successful bidder will be supplying the following specified **equipment only** on a unit price basis.
2. There is no guarantee on the quantity that will be purchased during the duration of the Unit Price Contract. However, at Town Branch WWTP there are eight (8) individual slide gate units that are in need of replacement with four (4) of the units to be replaced before the end of this current fiscal year that will end June 30th, 2012.
3. Installation shall be by Division of Water Quality (DWQ) personnel.
4. A copy of this specification with each paragraph check marked to show specification compliance or marked to show deviations. All exceptions must be clearly noted and detailed. The LFUCG reserves the right to disallow any bid due to exception.
5. *The terms of this contract shall be for one (1) years from the date of acceptance by the Lexington-Fayette Urban County Government. This contract may be extended for two (2) additional one (1) year term(s) based upon the written agreement of the bidder and the LFUCG.*

SCOPE OF SUPPLY

1. Furnish new fabricated stainless steel slide gate(s), gate slides, frame(s), seal(s) and all assembly hardware.
2. Equipment will be used to replace existing slide gate(s).

GENERAL REQUIREMENTS

1. The equipment furnished shall be built by an established manufacturer of slide gates and/or valve equipment with at least ten (10) years of successful experience building/fabricating high quality equipment with proof of similar projects which may be inspected by the Owner (DWQ).

Specification Compliant	
Yes	No
X	

2. The slide gate(s) specified shall be the **7600 Series Fabricated Gate** as manufactured by **Fresno Valves and Castings Inc** or engineer approved equal.

Specification Compliant	
Yes	No
X	

3. The gate(s) shall be self contained with a maximum design of 30' seating head and 20' unseating.

Specification Compliant	
Yes	No
X	

4. The gate(s) shall be flat back for mounting to a standard 125 # flange.

Specification Compliant	
Yes	No
X	

5. The Equipment Manufacturer shall warrant that the products and parts manufactured will be free from defects in material and workmanship for a minimum period of one (1) year from shipment to jobsite.

Specification Compliant	
Yes	No
X	

DETAILED REQUIREMENTS

1. Gate Slides:

A. Shall be welded together using type 304 stainless steel plate and angles

Specification Compliant	
Yes	No
X	

B. The slide shall be designed to fit into the gate frame slots a minimum of 2/3 the slot depth.

Specification Compliant	
Yes	No
X	

C. The slide shall have ribbing welded to the face plate to provide strength for the required head pressure

Specification Compliant	
Yes	No
X	

2. Gate Frame:

A. Gate frame shall be welded together using extrusions or angles.

Specification Compliant	
Yes	No
X	

B. The frame shall be one unit consisting of side rails, welded to a tapered seating ring.

Specification Compliant	
Yes	No
X	

C. The tapered seating ring will be designed so that when the slide is fully closed it will be in full contact against the "J" seal seat. This will allow the gate to seal tighter as the gate is closed more.

Specification Compliant	
Yes	No
X	

D. The frame shall have polyethylene (UHMW) lined guides to accept the gate slide and reduce friction.

Specification Compliant	
Yes	No
X	

E. The self contained gate frame will have a head bar that is bolted or welded to the side rails.

Specification Compliant	
Yes	No
X	

3. Gate:

A. The gate shall have a "J" seal acting as a seat for a water tight seal. Corded back or self adjusting poly bars will not be acceptable.

Specification Compliant	
Yes	No
X	

B. The "J" seal shall be one continuous piece.

Specification Compliant	
Yes	No
X	

C. The "J" seal shall be adjustable and be held down using a stainless steel retainer clip. The retainer clip will have a slight taper which will apply pressure to the "J" seal bulb when tightened.

Specification Compliant	
Yes	No
X	

D. All assembly hardware shall be type 304 stainless steel.

Specification Compliant	
Yes	No
X	

E. The operating stem shall be type 304 stainless steel and be adapted to the existing pipe extension.

Specification Compliant	
Yes	No
X	

F. Coordination with the gate manufacturer will be required so that proper adaption can be made.

Specification Compliant	
Yes	No
X	

G. The gate shall be able to adapt to the existing MX 20 electric operator.

Specification Compliant	
Yes	No
X	

SUBMITTALS

1. Copy of the manufacturer's equipment warranty detailing the duration of the warranty and all limitations of the warranty.

Specification Compliant	
Yes	No
X	

2. A copy of this specification with each paragraph check marked to show specification compliance or marked to show deviations. All exceptions must be clearly noted and detailed. The LFUCG reserves the right to disallow any bid due to exception

Specification Compliant	
Yes	No
X	

3. All equipment and materials shall be new and shall be specially designed or selected for the function and service specified.

Specification Compliant	
Yes	No
X	

4. Operation and Maintenance Manuals: Prior to delivery of equipment and up-dated as required during the installation of the equipment, the Manufacturer shall furnish complete and detailed installation, operation, and maintenance manuals, minimum of one (1) hard copy.

Specification Compliant	
Yes	No
X	

Please write in the unit price per item below:

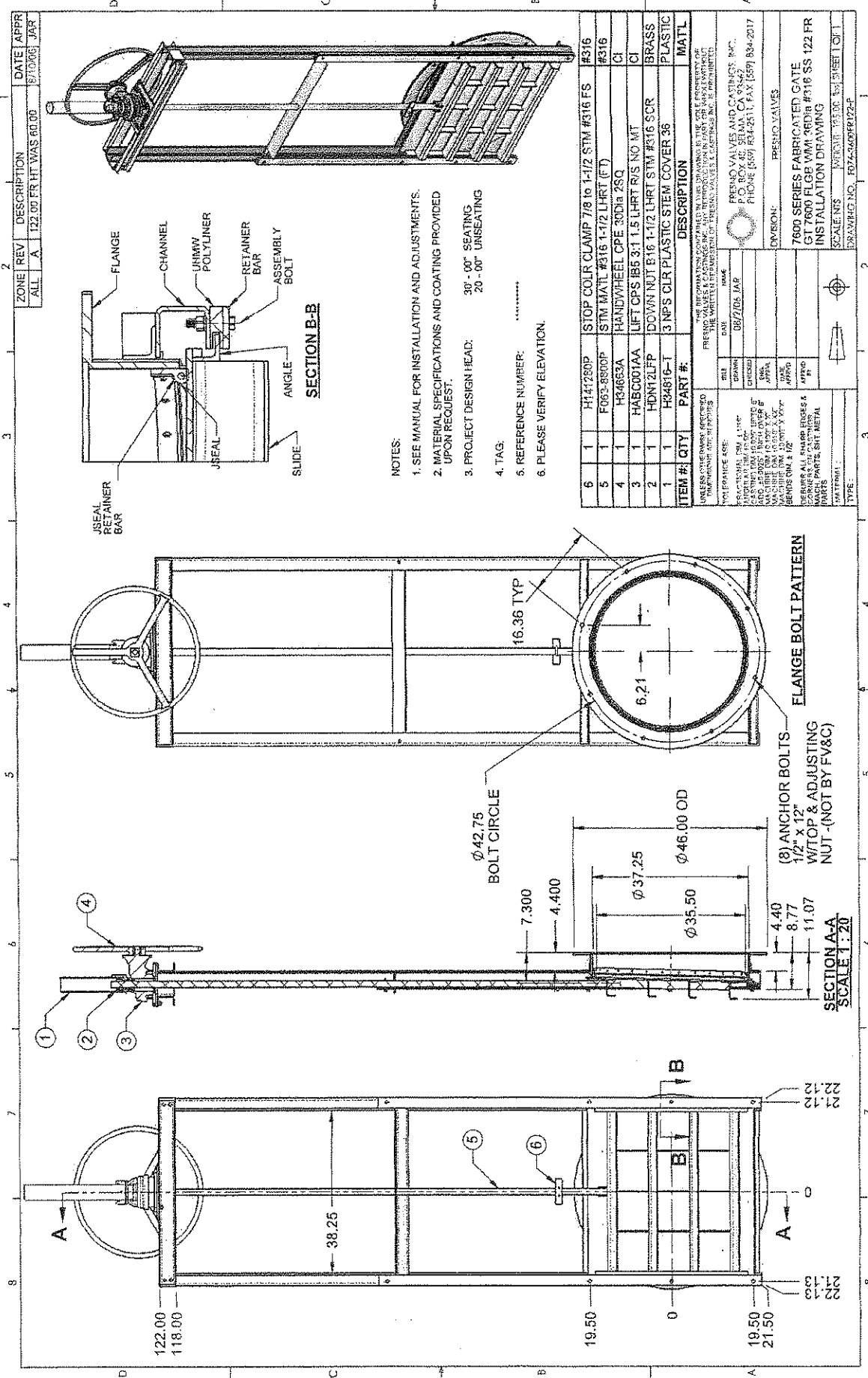
Fresno Valves and Castings Inc Part Number(s)	Description	Unit Price
7600 Series Fabricated Gate	Complete stainless steel slide gate unit complete with: gate slides, gate frame, gate and assembly hardware as specified in document	\$ 7,493.00

Blank Table

Manufacturer(list) Part Number(s)	Description	Unit Price

SPECIAL INSTRUCTIONS TO BIDDER:

- For specification questions contact Tiffany Rank, Division of Water Quality, @ 859-425-2406.
- For bidding questions contact Betty Landrum, Division of Central Purchasing, @ 859-258-3329.



- NOTES:**
1. SEE MANUAL FOR INSTALLATION AND ADJUSTMENTS.
 2. MATERIAL SPECIFICATIONS AND COATING PROVIDED UPON REQUEST.
 3. PROJECT DESIGN HEAD: 30" - 00" SEATING 20" - 00" UNSEATING
 4. TAG.
 5. REFERENCE NUMBER: *****
 6. PLEASE VERIFY ELEVATION.

ITEM #	QTY	PART #	DESCRIPTION	MATL
6	1	H141280P	STOP COLL CLAMP 7/8 TO 1-1/2 STM #316 FS	#316
5	1	F062-8680P	STM MATL #316 1-1/2 LHRT (FT)	#316
4	1	H34663A	HANDWHEEL CPE 30DIA 2SQ	CI
3	1	HAB001AA	LIFT CPS IBS 3/1 L5 LHRT R/S NO MT	CI
2	1	HDM12LFP	DOWN NUT E16 1-1/2 LHRT STM #316 SCR	BRASS
1	1	H3481G-T	3 INPS CLR PLASTIC STEM COVER 36	PLASTIC

FILE	DATE	BY	CHKD	APPV	DATE
08/27/05	JAP				

UNLESS OTHERWISE SPECIFIED, DIMENSIONS ARE IN INCHES AND DECIMALS THEREOF. DIMENSIONS IN PARENTHESES ARE FOR REFERENCE ONLY. DIMENSIONS IN PARENTHESES ARE FOR REFERENCE ONLY. DIMENSIONS IN PARENTHESES ARE FOR REFERENCE ONLY. DIMENSIONS IN PARENTHESES ARE FOR REFERENCE ONLY.

FOR INFORMATION ONLY: THIS DRAWING IS THE PROPERTY OF FRESNO VALVES AND CASTINGS, INC. IT IS TO BE USED ONLY FOR THE PROJECT AND NOT FOR REUSE OR REPRODUCTION IN ANY FORM WITHOUT THE WRITTEN PERMISSION OF FRESNO VALVES AND CASTINGS, INC. IT IS NOT TO BE REPRODUCED OR TRANSMITTED IN ANY FORM OR BY ANY MEANS, ELECTRONIC OR MECHANICAL, INCLUDING PHOTOCOPYING, RECORDING, OR BY ANY INFORMATION STORAGE AND RETRIEVAL SYSTEM.

FRESNO VALVES AND CASTINGS, INC.
P.O. BOX 40, SELMA, CA 95447
PHONE (559) 834-2511, FAX (559) 834-2317

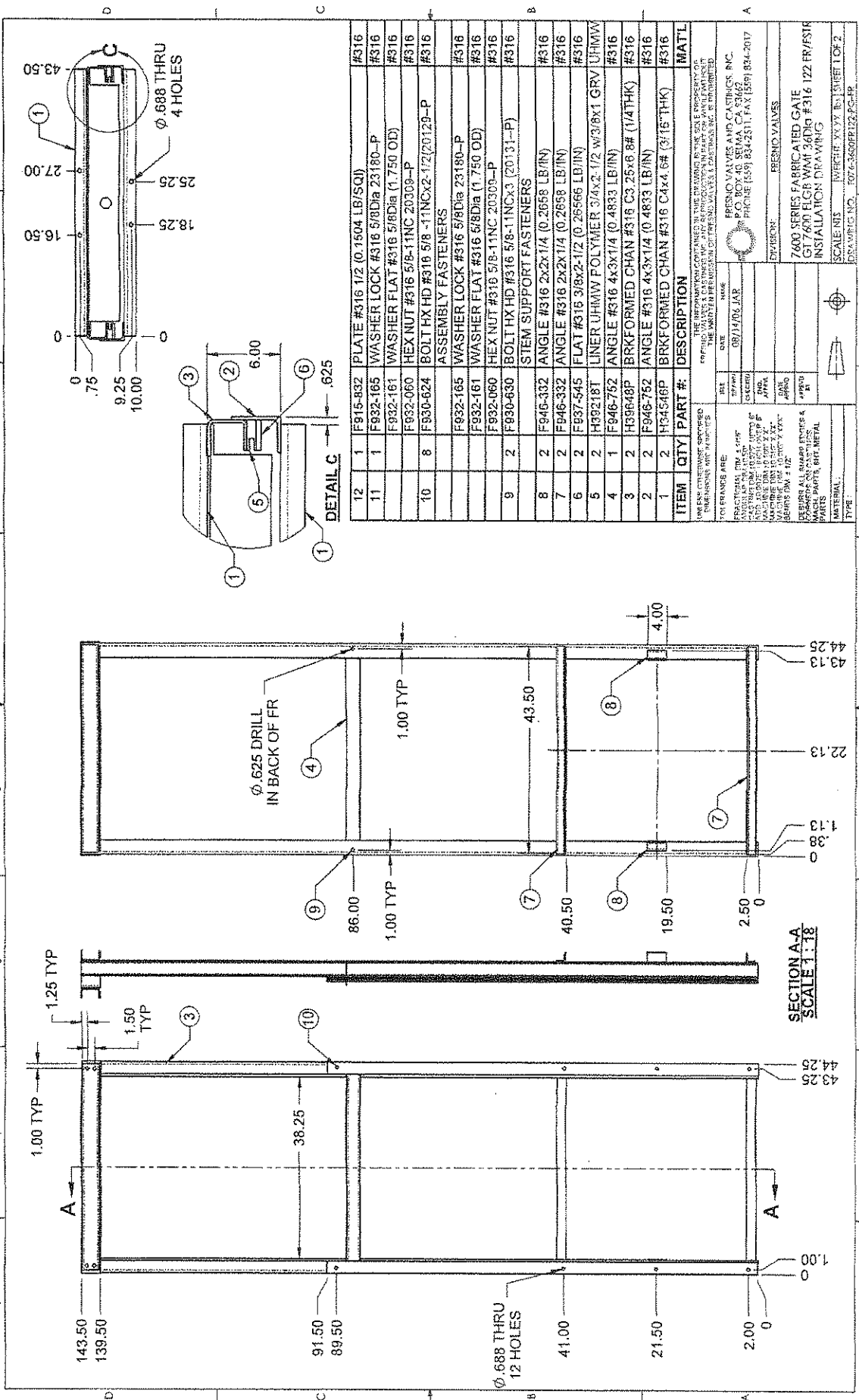
CONVISION: FRESNO VALVES

7600 SERIES FABRICATED GATE
GT 7600 FLGB VMM 36DIB #316 SS 122 PR
INSTALLATION DRAWING

SCALE: NTS

DRAWING NO. FD74-340PR122-P

SHEET 1 OF 1



ITEM	QTY	PART #	DESCRIPTION	MATL
12	1	F915-832	PLATE #316 1/2 (0.1504 LB/SQ)	#316
11	1	F932-165	WASHER LOCK #316 5/8Dia 23180-P	#316
		F932-161	WASHER FLAT #316 5/8Dia (1.750 OD)	#316
		F932-060	HEX NUT #316 5/8-11NC 20309-P	#316
10	8	F930-624	BOLT HX HD #316 5/8-11NCx2-1/2(20129-P)	#316
			ASSEMBLY FASTENERS	
		F932-165	WASHER LOCK #316 5/8Dia 23180-P	#316
		F932-161	WASHER FLAT #316 5/8Dia (1.750 OD)	#316
		F932-060	HEX NUT #316 5/8-11NC 20309-P	#316
9	2	F930-630	BOLT HX HD #316 5/8-11NCx3 (20131-P)	#316
			STEM SUPPORT FASTENERS	
8	2	F946-332	ANGLE #316 2x2x1/4 (0.2658 LB/IN)	#316
7	2	F946-332	ANGLE #316 2x2x1/4 (0.2658 LB/IN)	#316
6	2	F937-545	FLAT #316 3/8x2-1/2 (0.26566 LB/IN)	#316
5	2	H39218T	LINER UHMW POLYMER 3/4x2-1/2 W/3/8x1 GRV UHMW	#316
4	1	F946-752	ANGLE #316 4x3x1/4 (0.4833 LB/IN)	#316
3	2	F946-752	ANGLE #316 4x3x1/4 (0.4833 LB/IN)	#316
2	2	H34546P	BRKFORMED CHAN #316 C4x4 6# (3/16" THK)	#316
1	2	H34546P	BRKFORMED CHAN #316 C4x4 6# (3/16" THK)	#316

USE SEE OTHER SHEETS SPECIFIED FOR THIS DRAWING FOR MATERIALS AND FINISHES UNLESS OTHERWISE SPECIFIED.

FOR FRANCE ARE:
 PRACTICAL DIM 4.114"
 EXTERNAL DIM 4.527" UNITS 8"
 AND 10.000" UNITS 10.000"
 MATERIALS ARE TO BE 316 SS
 MATERIALS ARE TO BE 316 SS
 SECURITY DIM = 1/2"
 SECURITY DIM = 1/2"

FOR FRANCE ARE:
 DATE 08/14/06 JAR
 DRAWN BY JAR
 CHECKED BY JAR
 APPROVED BY JAR

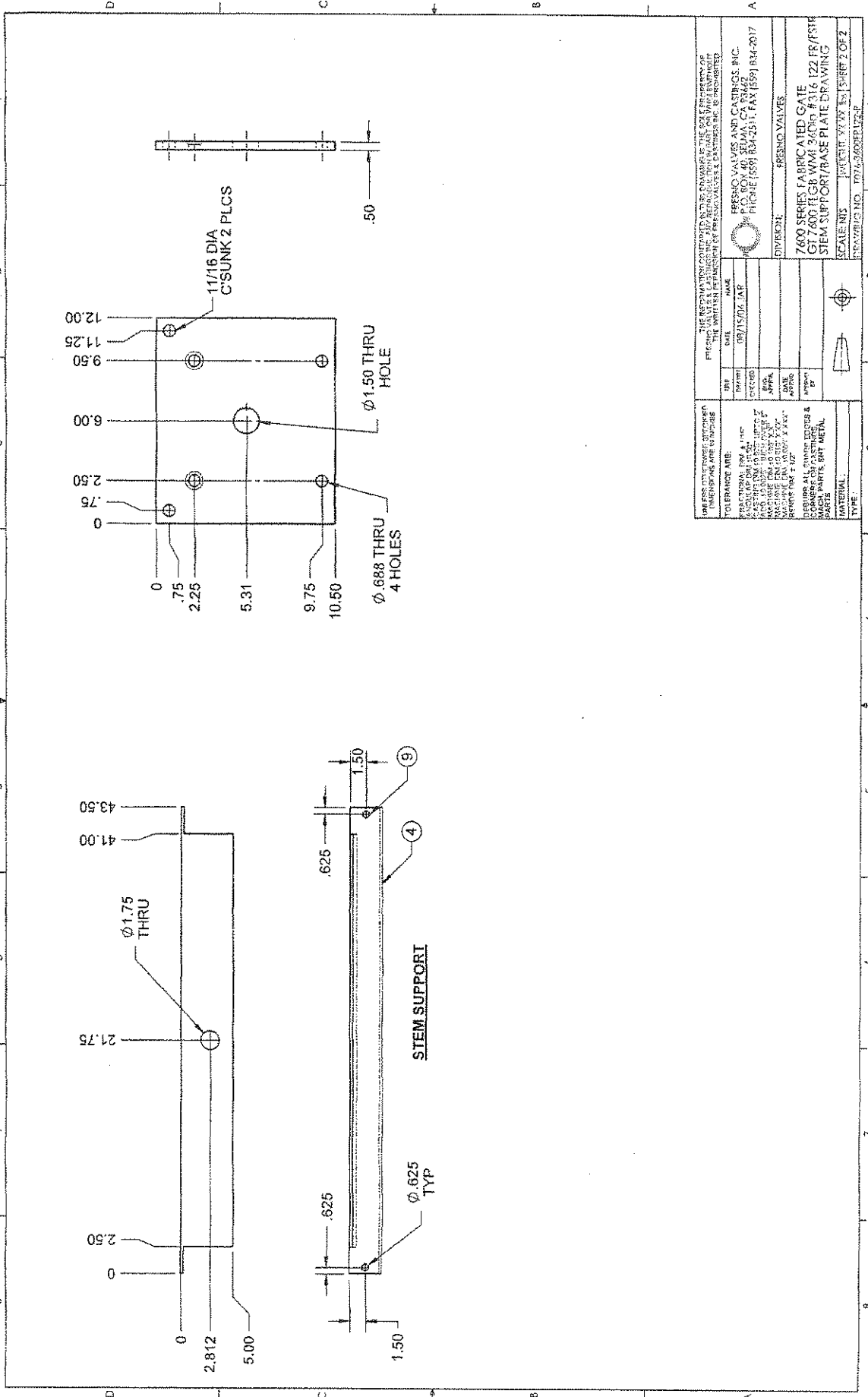
FRESNO VALVES AND CASTINGS, INC.
 P.O. BOX 40, SEMA, CA 93662
 PHONE (559) 834-2511, FAX (559) 834-2017

7600 SERIES FABRICATED GATE
 GT17600 BCLR WMT 360IG #316 122 FR/FSTR
 INSTALLATION DRAWING

SCALE: NIS (MERGLE XX VV B) 1:18 SHEET 1 OF 2
 DRAWING NO. 7676-3600FR122-PC-FR

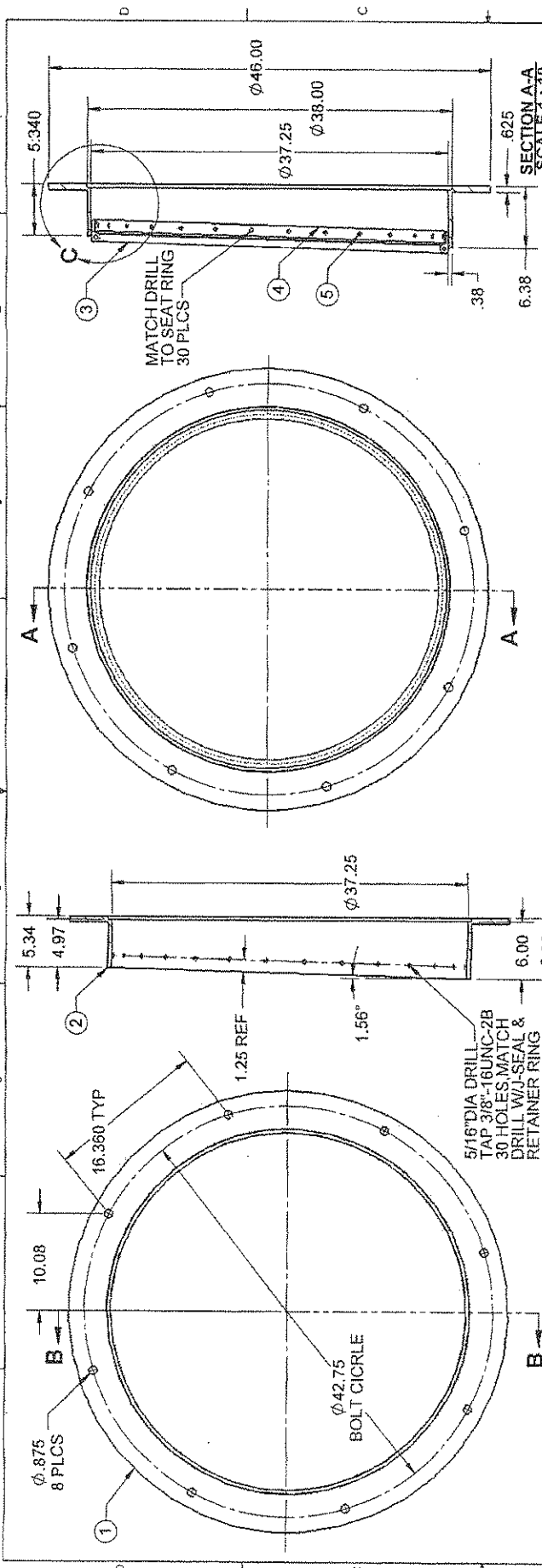
SECTION A-A
 SCALE 1:18

R:\Solidworks\7600 Series, Fabricated Slide Gates\SS #316 MATERIAL\7676-3600FR122-P-FR122-P-FR



UNLESS OTHERWISE SPECIFIED DIMENSIONS ARE IN INCHES		DATE		NAME	
DESIGNED	09/15/06	JAP	PROJ. NO. 0763600FR122-P-FR		
APP'D			DESIGNED BY: JAP		
CHECKED			DRAWN BY: JAP		
DATE			SCALE: 1:1		
DRAWN			MATERIAL: 304 SS		
DATE			FINISH: 20		
APP'D			TOLERANCE ARE:		
DATE			FRACTIONS: 1/16 & 1/32		
APP'D			DECIMALS: 0.0005, 0.001, 0.002, 0.005, 0.010, 0.020, 0.050, 0.100, 0.200, 0.500, 1.000		
DATE			HOLE POSITION: ±0.005		
APP'D			HOLE SIZE: ±0.001		
DATE			HOLE DIA: ±0.001		
APP'D			HOLE DRILL: 1.500		
DATE			HOLE TAP: 1.500		
APP'D			HOLE REAM: 1.500		
DATE			HOLE POLISH: 1.500		
APP'D			HOLE DEBURR: 1.500		
DATE			HOLE CLEAN: 1.500		
APP'D			HOLE OIL: 1.500		
DATE			HOLE INSPECTION: 1.500		
APP'D			HOLE RECORD: 1.500		
DATE			HOLE APPROVAL: 1.500		
APP'D			HOLE SIGNATURE: 1.500		
DATE			HOLE RELEASE: 1.500		
APP'D			HOLE PARTS: 1.500		
DATE			HOLE METAL: 1.500		
APP'D			HOLE TYPE: 1.500		

R:\Solidworks\7600 Series, Fabricated Slide Gates\SS #316 MATERIAL\F076-3600FR122-P-FR



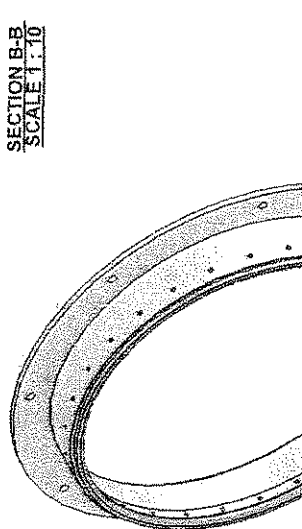
ITEM #	QTY	PART #	DESCRIPTION	MATL
5	30	F922-131	WASHER FLAT SS 3/8Dia (LARGE)	SS
		F930-312	BOLT HX HD #316 3/8-16NCx1.25	#316
			J-SEAL FASTENERS	
4	1	F915-808	MATCH DRILL W/ J-SEAL AND SEAT RING	SS
			SHEET SS 103a (0.1350" THK) D 0394 LB/SQ	
3	1	F919-304	MATCH DRILL W/ RETAINER RING	EPDM
			J-SEAL EPDM RUBBER 75SDx2.25	
2	1	F937-642	ROLL PLATE @ .37-1/4" OD & CUT FRONT SLOPE	#316
			PLATE #316 3/8x6 (0.6375 LB/IN)	
1	1	F915-940	PLATE #316 5/8 (0.1863 LB/SD)	#316
			MATL	

DATE	BY	CHKD	APP'D	REVISION
08/14/06	JAR			

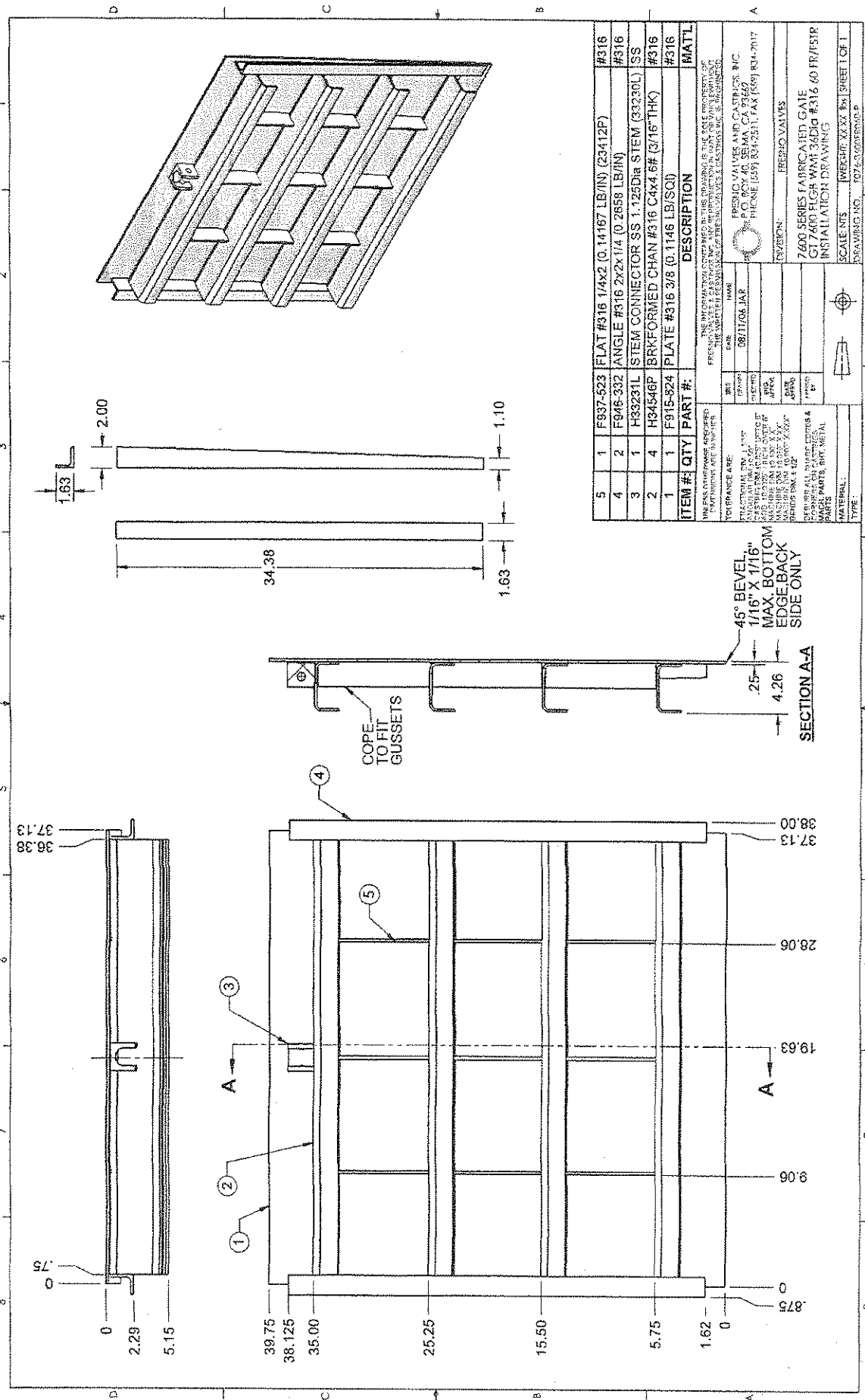
PERNO VALVES AND SERVICES, INC.
 P.O. BOX 103, SEASIDE, CA 94132
 PHONE (415) 834-2511 FAX (415) 834-2919
 DIVISION: SEEDS/VALVES

7600 SERIES FABRICATED GATE
 GT 7600 FLGB WMI 34Dtg #316 122 FR/ST
 INSTALLATION DRAWING

SCALE: NTS 1/8" = 1" (SEE DRAWING)
 DRAWING NO. 07243600FR122-FR1



R:\Softworks\7600 Series, Fabricated Slide Gates\SS #316 MATERIAL\076-3600FR122-P\RETAINER RING



R:\Solidworks\7600 Series, Fabricated Slide Gates\SS #316 MATERIAL\F076-3600FR122-PLSLIDE SS 36