



Lexington-Fayette Urban County Government
DEPARTMENT OF GENERAL SERVICES

TRANSMITTAL

Date: May 13, 2016

Contract Number: 013-2016

Purchase Order Number: LF00134877

Bid Package Number: 161-2015

Capital Project Number: TBD

Work Order Number: N/A

Building: Senior Citizen Center

Project Description: Fire Station #2 Replacement

To: Victor Kunitsa, Olympic Construction, LLC

RE: Change Order #2 fully executed

CC: Eric Chambers, Brandstetter Carroll
Sharon Jones, Deputy Council Clerk
Chief Harold Hoskins, Lexington Fire

From: Joyce Thomas, General Services *JT*

We Are Sending You:

- | | |
|--|--|
| <input type="checkbox"/> Contract | <input type="checkbox"/> Operation and Maintenance Manuals |
| <input type="checkbox"/> Warranties | <input checked="" type="checkbox"/> Change Order |
| <input type="checkbox"/> Payment Application | <input type="checkbox"/> Plans |

Item	Copies	Description	Pages	Date
1.	1	Change Order #2 fully executed	10	5/13/2016

THESE ARE TRANSMITTED AS INDICATED BELOW:

- | | |
|--|--|
| <input type="checkbox"/> FOR APPROVAL | <input checked="" type="checkbox"/> FOR ACTION (Chief Hoskins) |
| <input type="checkbox"/> FOR YOUR USE | <input checked="" type="checkbox"/> FOR FILE |
| <input type="checkbox"/> FOR YOUR REVIEW AND COMMENT | <input type="checkbox"/> FOR SIGNATURE |
| <input type="checkbox"/> OTHER: | |

REPLY BY _____ TO AVOID DELAY IN CONSTRUCTION

Remarks:

Project Transmittal

LEXINGTON-FAYETTE URBAN COUNTY GOVERNMENT CONTRACT CHANGE ORDER Page 1 of 2		Date:	May 10, 2016
		Project:	Fire Station #2 Replacement
		Location:	Lexington
To (Contractor): Olympic Construction, LLC 216 Bromme Drive Nicholasville, KY 40356		Contract No.	013-2016
		Original Contract Amt.	\$4,618,900.00
		Cumulative Amount of Previous Change Orders	-\$292.50
		Percent Change - Previous Change Orders	-0.01%
		Total Contract Amount Prior to this Change Order	\$4,618,607.50
		Change Order No.	2
You are hereby requested to comply with the following changes from the contract plans and specification;			
Current Change Order			
Item No.	Description of changes-quantities, unit prices, change in completion date, etc.	Decrease in contract price	Increase in contract price
1	Add floor drain in Kitchen 106 per PR 2		\$1,808.15
2	Credit to delete dedication plaque from the scope per PR 3	\$790.00	
	Total decrease	\$790.00	
	Total increase		\$1,808.15
	Net Amount of this Change Order	\$1,018.15	
	New Contract Amount Including this Change Order	\$4,619,625.65	
	Percent Change - This Change Order		0.02%
	Percent Change - All Change Orders		0.02%
The time provided for the completion in the contract and all provisions of the contract will apply hereto.			
Recommended by	<i>Jayna</i>	(Project Manager)	Date 5/10/16
Accepted by	<i>[Signature]</i>	(Contractor)	Date 5/13/16
Approved by	<i>[Signature]</i>	(Director)	Date 5-13-16
Approved by	<i>[Signature]</i>	(Commissioner)	Date 5-13-16
Approved by	<i>[Signature]</i>	(Mayor or CAO)	Date 5-13-16

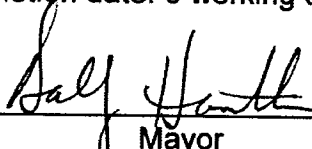
JUSTIFICATION FOR CHANGE

PROJECT: Fire Station #2 Replacement

CONTRACT NO. 013-2016

CHANGE ORDER NO. 2

1. Necessity for change: Chief Hoskins requested that a floor drain be added to the kitchen for cleaning purposes. It was determined that a dedication plaque was not needed for the new fire station.
2. Is proposed change an alternate bid? ___ Yes X No
3. Will proposed change alter the physical size of the project? ___ Yes X No
If "Yes", explain.
4. Effect of this change on other prime contractors: N/A
5. Has consent of surety been obtained? ___ Yes X Not Necessary
6. Will this change affect expiration or extent of insurance coverage? ___ Yes X No
If "Yes", will the policies be extended? ___ Yes ___ No
7. Effect on operation and maintenance costs:
8. Effect on contract completion date: 0 working days



Mayor

5-13-16
Date



**BRANDSTETTER
CARROLL INC**
ARCHITECTS ENGINEERS PLANNERS

2360 Chauvin Dr
LEXINGTON
KY 40517
859.268.1933
FX: 859.268.3341

308 East 8th St
CINCINNATI
OH 45202
513.651.4224
FX: 513.651.0147

1220 West 6th St
Suite 300
CLEVELAND
OH 44113
216.241.4480
FX: 216.736.7155

17300 Preston Rd
Suite 310
DALLAS
TX 75252
469.941.4926
FX: 469.941.4112

Work Changes Proposal Request No. 2

Project: 13117 Lexington Replacement Fire Station No. 2
City Job No. 161-2015/038-2016

To: Olympic Construction
216 Brome Dr.
Nicholasville, KY 40356

From: Brandstetter Carroll Inc.
2360 Chauvin Drive
Lexington, KY 40517

Date of Original Issuance: April 28, 2016

Response Due: May 10, 2016

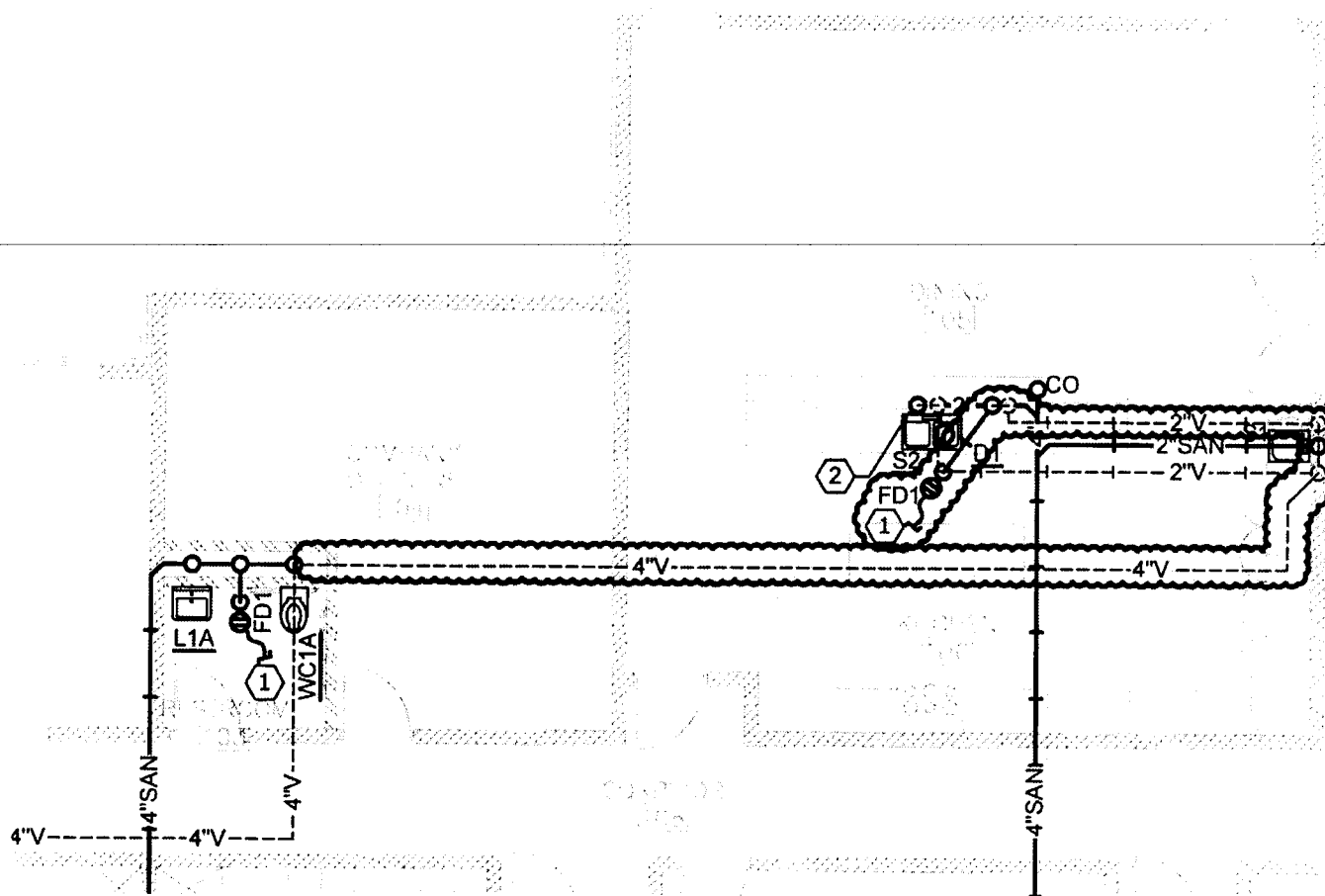
**THIS IS NOT A CHANGE ORDER, CONSTRUCTION CHANGE DIRECTIVE, OR A
DIRECTION TO PROCEED WITH THE WORK DESCRIBED IN THE PROPOSED
MODIFICATION.**

- I. Per the Fire Department request, provide itemized pricing to add a floor drain to Kitchen 106 as shown in the attached PR 2.1-PR 2.4.

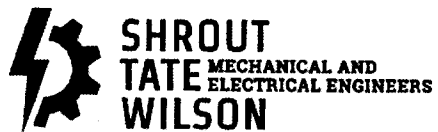
Attachments: PR 2.1-PR 2.4

Submitted by:

Eric M. Chambers, AIA, CID, CDT, LEED GA
Associate



PARTIAL FLOOR PLAN - PLUMBING SANITARY



Lexington - Louisville
 628 Winchester Road Lexington, KY 40505
 t: 859.277.8177 www.stweng.com

LEXINGTON REPLACEMENT FIRE STATION No. 2
 1276 EASTLAND DRIVE
 LEXINGTON, KY

ISSUED FOR:

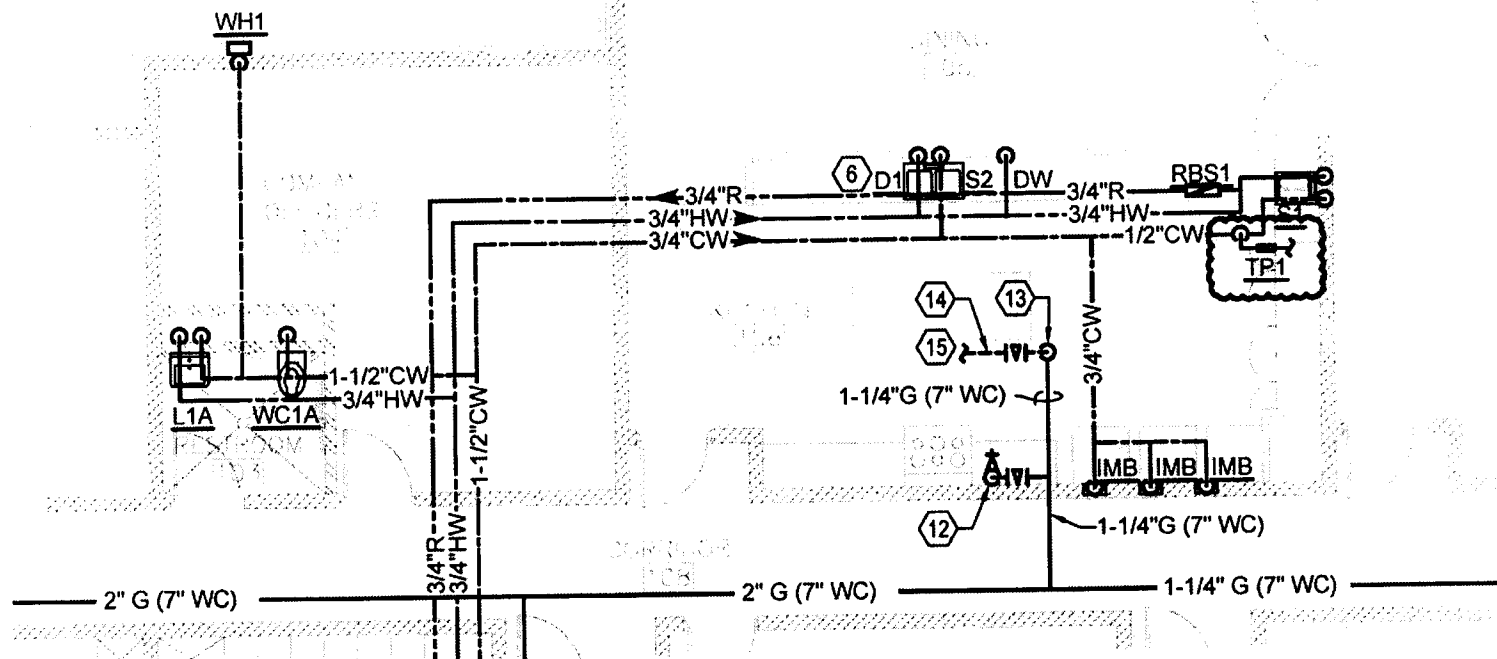
DRAWN BY:
 BG

CHECKED BY:
 NM

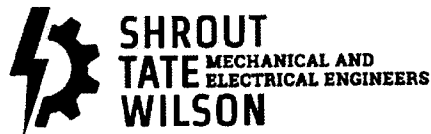
SCALE:
 1/8" = 1'-0"

DATE:
 4/28/2016

SHEET:
 P-101A



PARTIAL FLOOR PLAN - PLUMBING DOMESTIC WATER



Lexington - Louisville
 628 Winchester Road Lexington, KY 40505
 t: 859.277.8177 www.stweng.com

LEXINGTON REPLACEMENT FIRE STATION No. 2
 1276 EASTLAND DRIVE
 LEXINGTON, KY

ISSUED FOR:

DRAWN BY:
 BG

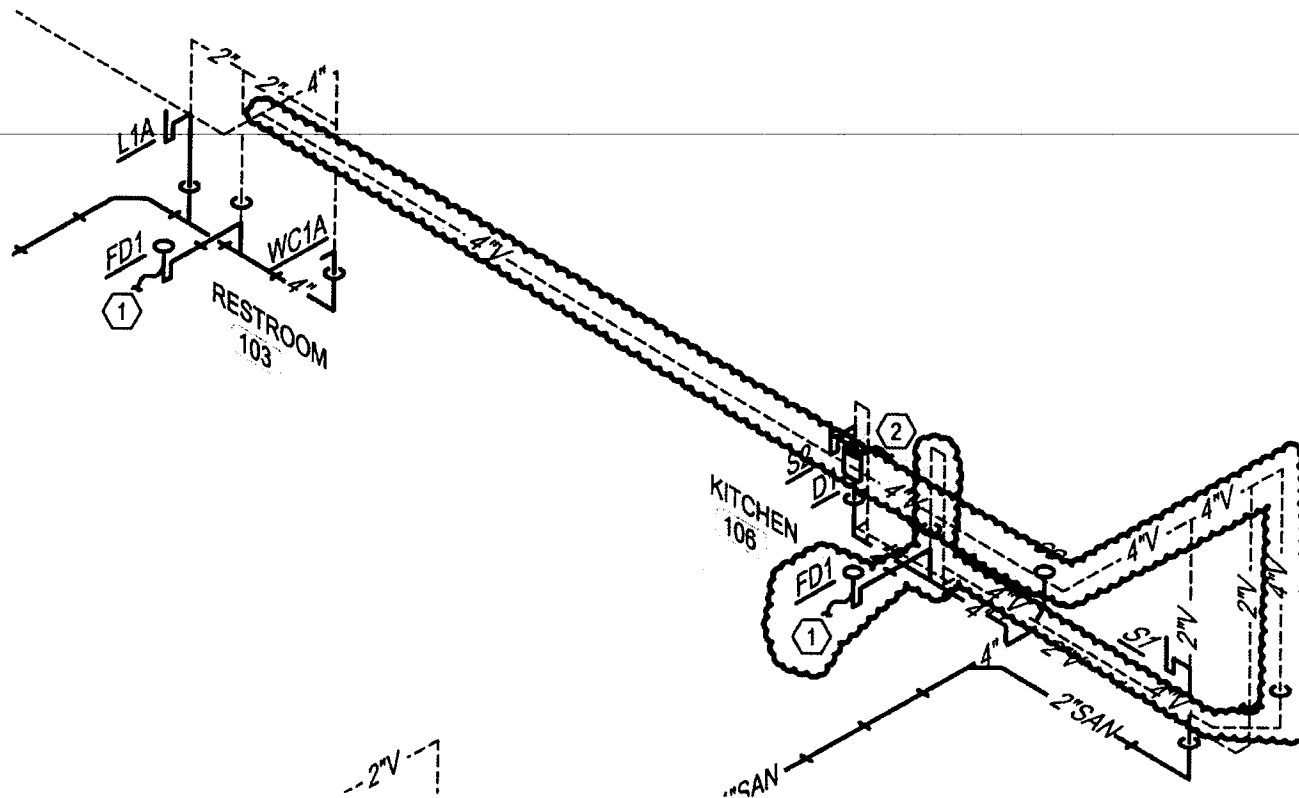
CHECKED BY:
 NM

SCALE:
 1/8" = 1'-0"

DATE:
 4/28/2016

SHEET:
 P-201A

PR 2.2



PARTIAL SANITARY SEWER RISERS - PLUMBING

**SHROUT
TATE
WILSON**
MECHANICAL AND
ELECTRICAL ENGINEERS

Lexington - Louisville
628 Winchester Road Lexington, KY 40505
t: 859.277.8177 www.stweng.com

LEXINGTON REPLACEMENT FIRE STATION No. 2
1276 EASTLAND DRIVE
LEXINGTON, KY

ISSUED FOR:

DRAWN BY:

BG

CHECKED BY:

NM

SCALE:

1/8" = 1'-0"

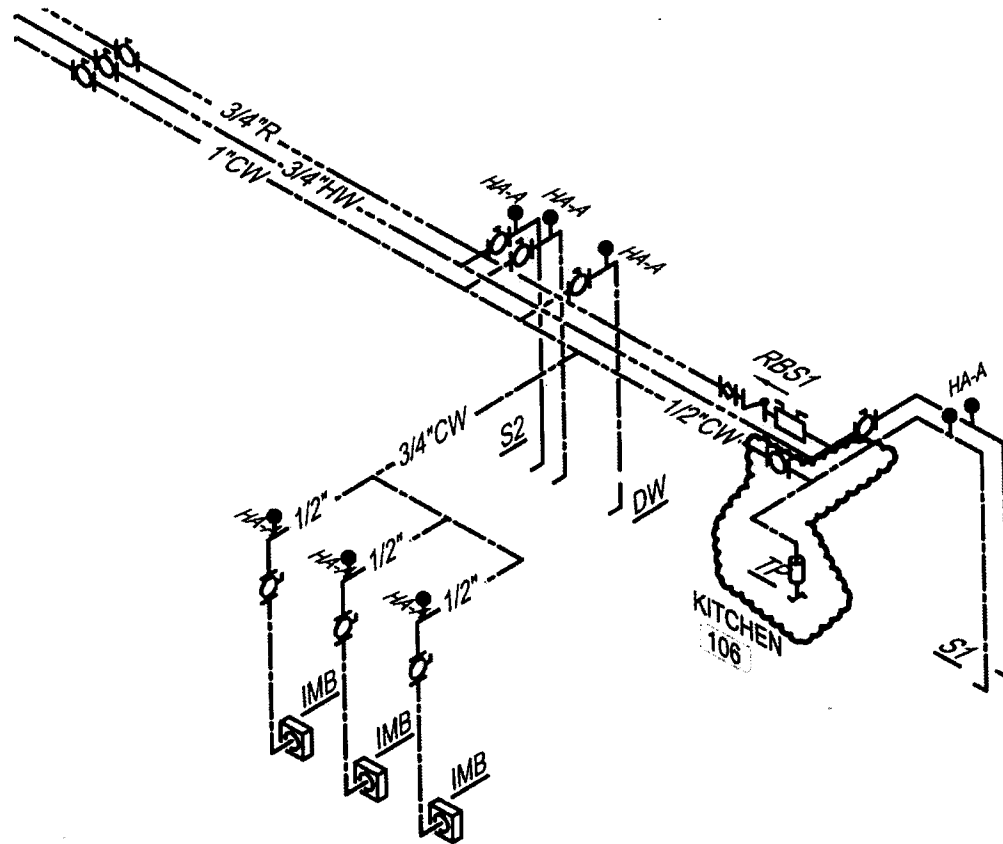
DATE:

4/28/2016

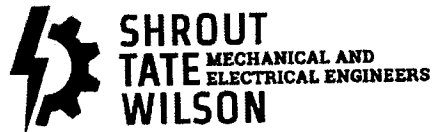
SHEET:

P-301A

PR 2.3



PARTIAL DOMESTIC WATER RISER - PLUMBING



Lexington - Louisville
 628 Winchester Road Lexington, KY 40505
 t: 859.277.8177 www.stweng.com

LEXINGTON REPLACEMENT FIRE STATION No. 2
 1276 EASTLAND DRIVE
 LEXINGTON, KY

ISSUED FOR:	DRAWN BY:	CHECKED BY:	SCALE:	DATE:	SHEET:
	BG	NM	1/8" = 1'-0"	4/28/2016	P-302A

PR 2.4



OLYMPIC CONSTRUCTION, LLC

120 MacArthur Court
Nicholasville, KY 40356

Office 859-533-5723 Fax 859-881-1295
victor@olympiconstruction.com

Change Order #4

Per the Fire Department request, pricing to add a floor drain to Kitchen 106 as shown in PR 2.1 – PR 2.4 dated April 28, 2016.

1) Materials	\$387.00
Labor 18hrs (2 Plumbers @ 9hrs each) X \$65.85	\$1,185.30
Overhead and Profit	\$235.85

Grand Total \$1,808.15

Contractor: Olympic Construction Representative: Victor Kunitsa

Signature: Victor Kunitsa Date: 04/29/2016



**BRANDSTETTER
CARROLL INC**

ARCHITECTS ENGINEERS PLANNERS

2360 Chauvin Dr
LEXINGTON
KY 40517
859.268.1933
FX: 859.268.3341

308 East 8th St
CINCINNATI
OH 45202
513.651.4224
FX: 513.651.0147

1220 West 6th St
Suite 300
CLEVELAND
OH 44113
216.241.4480
FX: 216.736.7155

17300 Preston Rd
Suite 310
DALLAS
TX 75252
469.941.4926
FX: 469.941.4112

Work Changes Proposal Request No. 3

Project: 13117 Lexington Replacement Fire Station No. 2
City Job No. 161-2015/038-2016

To: Olympic Construction
216 Brome Dr.
Nicholasville, KY 40356

From: Brandstetter Carroll Inc.
2360 Chauvin Drive
Lexington, KY 40517

Date of Original Issuance: April 29, 2016

Response Due: May 11, 2016

**THIS IS NOT A CHANGE ORDER, CONSTRUCTION CHANGE DIRECTIVE, OR A
DIRECTION TO PROCEED WITH THE WORK DESCRIBED IN THE PROPOSED
MODIFICATION.**

1. Per the Fire Department request, provide credit pricing to remove the Dedication cast bronze plaque from the project.

Attachments: NONE

Submitted by:

Eric M. Chambers, AIA, CID, CDT, LEED GA
Associate



OLYMPIC CONSTRUCTION, LLC

120 MacArthur Court
Nicholasville, KY 40356

Office 859-533-5723 Fax 859-881-1295
victor@olympiconstruction.com

Change Order #5

- | | |
|--|------------|
| 1) Credit for removing the Dedication cast bronze plaque from the project. | |
| Materials Credit | (\$740.00) |
| Labor Credit 1hr X \$50 | (\$50.00) |

Grand Total \$-790.00

Contractor: Olympic Construction Representative: Victor Kunitsa

Signature: Victor Kunitsa Date: 04/29/2016