



Lexington-Fayette Urban County Government

Lexington, Kentucky
Horse Capital of the World

Division of Central Purchasing

Date of Issue: July, 7, 2014

INVITATION TO BID #116-2014 SCBA Maintenance

Bid Opening Date: July 21, 2014

Bid Opening Time: 2:00 PM

Address: 200 East Main Street, 3rd Floor, Room 338, Lexington, Kentucky 40507

Type of Bid: Price Contract

Pre Bid Meeting: N/A

Pre Bid Time: N/A

Address: N/A

Sealed bids will be received in the office of the Division of Central Purchasing, 200 East Main Street, Lexington, Kentucky, until 2:00 PM, prevailing local time on 07/17/2014. Bids must be received by the above-mentioned date and time. Mailed bids should be sent to:

Division of Central Purchasing
200 East Main Street, Room 338
Lexington, KY 40507, (859) 258-3320

The Lexington-Fayette Urban County Government assumes no responsibility for bids that are not addressed and delivered as indicated above. **Bids that are not delivered to the Division of Central Purchasing by the stated time and date will be rejected.** All bids must be signed and have the company name and address, bid invitation number, and the name of the bid on the outside of the envelope.

Bids are to include all shipping costs to the point of delivery located at: 219 E. Third Street, Lexington KY

Bid Security Required: ___ Yes X No *Cashier Check, Certified Check, Bid Bond (Personal checks and company checks will not be acceptable).*

Performance Bond Required: ___ Yes X No

<input checked="" type="checkbox"/> Bid Specifications Met	Check One: ___ Exceptions to Bid Specifications. <i>Exceptions shall be itemized and attached to bid proposal submitted.</i>	Proposed Delivery: <u>7-10</u> days after acceptance of bid.
Procurement Card Usage —The Lexington-Fayette Urban County Government may be using Procurement Cards to purchase goods and services and also to make payments. Will you accept Procurement Cards? <u>X</u> Yes ___ No		

Submitted by: Bluegrass Uniforms + Equipment

Firm Name

961 S. Second St.

Address

Louisville, KY 40203

City, State & Zip

Bid must be signed:
(original signature)

Mike Holland - Director

Signature of Authorized Company Representative - Title

Mike Holland

Representative's Name (Typed or printed)

270-842-7700 ext. 224 270-843-6661

Area Code - Phone - Extension

Fax #

Mike.Holland@bluegrassuniforms.com

E-Mail Address

The Affidavit in this bid must be completed before your firm can be considered for award of this contract.

AFFIDAVIT

Comes the Affiant, Mike Holland, and after being first duly sworn under penalty of perjury as follows:

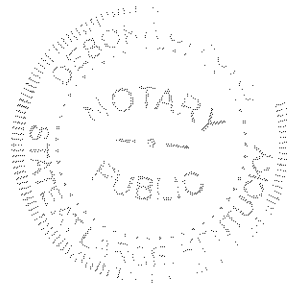
1. His/her name is Mike Holland and he/she is the individual submitting the bid or is the authorized representative of Bluegrass Uniforms + Equipment the entity submitting the bid (hereinafter referred to as "Bidder")
2. Bidder will pay all taxes and fees, which are owed to the Lexington-Fayette Urban County Government at the time the bid is submitted, prior to award of the contract and will maintain a "current" status in regard to those taxes and fees during the life of the contract.
3. Bidder will obtain a Lexington-Fayette Urban County Government business license, if applicable, prior to award of the contract.
4. Bidder has authorized the Division of Central Purchasing to verify the above-mentioned information with the Division of Revenue and to disclose to the Urban County Council that taxes and/or fees are delinquent or that a business license has not been obtained.
5. Bidder has not knowingly violated any provision of the campaign finance laws of the Commonwealth of Kentucky within the past five (5) years and the award of a contract to the Bidder will not violate any provision of the campaign finance laws of the Commonwealth.
6. Bidder has not knowingly violated any provision of Chapter 25 of the Lexington-Fayette Urban County Government Code of Ordinances, known as "Ethics Act."
7. Bidder acknowledges that "knowingly" for purposes of this Affidavit means, with respect to conduct or to circumstances described by a statute or ordinance defining an offense, that a person is aware or should have been aware that his conduct is of that nature or that the circumstance exists.

Further, Affiant sayeth naught. RM Holland

STATE OF Kentucky

COUNTY OF Warren

The foregoing instrument was subscribed, sworn to and acknowledged before me by Mike Holland on this the 16th day of July, 2014.



My Commission expires: 10-31-2017

Deborah D. Ford
NOTARY PUBLIC, STATE AT LARGE

Please refer to Section II. Bid Conditions, Item "U" prior to completing this form.

I. GREEN PROCUREMENT

A. ENERGY

The Lexington-Fayette Urban County Government is committed to protecting our environment and being fiscally responsible to our citizens.

The Lexington-Fayette Urban County Government mandates the use of Energy Star compliant products if they are available in the marketplace (go to www.Energystar.gov). If these products are available, but not submitted in your pricing, your bid will be rejected as non-compliant.

ENERGY STAR is a government program that offers businesses and consumers energy-efficient solutions, making it easy to save money while protecting the environment for future generations.

Key Benefits

These products use 25 to 50% less energy
Reduced energy costs without compromising quality or performance
Reduced air pollution because fewer fossil fuels are burned
Significant return on investment
Extended product life and decreased maintenance

B. GREEN SEAL CERTIFIED PRODUCTS

The Lexington-Fayette Urban County Government is also committed to using other environmentally friendly products that do not negatively impact our environment. Green Seal is a non-profit organization devoted to environmental standard setting, product certification, and public education.

Go to www.Greenseal.org to find available certified products. These products will have a reduced impact on the environment and on human health. The products to be used must be pre-approved by the LFUCG prior to commencement of any work in any LFUCG facility. If a Green Seal product is not available, the LFUCG must provide a signed waiver to use an alternate product. Please provide information on the Green Seal products being used with your bid response.

C. GREEN COMMUNITY

The Lexington-Fayette Urban County Government (LFUCG) serves as a principal, along with the University of Kentucky and Fayette County Public Schools, in the Bluegrass Partnership for a Green Community. The Purchasing Team component of the Partnership collaborates on economy of scale purchasing that promotes and enhances environmental initiatives. Specifically, when applicable, each principal is interested in obtaining best value products and/or services which promote environment initiatives via solicitations and awards from the other principals.

If your company is the successful bidder on this Invitation For Bid, do you agree to extend the same product/service pricing to the other principals of the Bluegrass Partnership for a Green Community (i.e. University of Kentucky and Fayette County Schools) if requested?

Yes X No

II. Bid Conditions

- A. No bid may be withdrawn for a period of sixty (60) days after the date and time set for opening.
- B. No bid may be altered after the date and time set for opening. In the case of obvious errors, the Division of Central Purchasing may permit the withdrawal of a bid. The decision as to whether a bid may be withdrawn shall be that of the Division of Central Purchasing.
- C. Acceptance of this proposal shall be enactment of an Ordinance by the Urban County Council.
- D. The bidder agrees that the Urban County Government reserves the right to reject any and all bids for either fiscal or technical reasons, and to award each part of the bid separately or all parts to one vendor.
- E. Minor exceptions may not eliminate the bidder. The decision as to whether any exception is minor shall be entirely that of the head of the requisitioning Department or Division and the Director of the Division of Central Purchasing. The Urban County Government may waive technicalities and informalities where such waiver would best serve the interests of the Urban County Government.
- F. Manufacturer's catalogue numbers, trade names, etc., where shown herein are for descriptive purposes and are to guide the bidder in interpreting the standard of quality, design, and performance desired, and shall not be construed to exclude proposals based on furnishing other types of materials and/or services. However, any substitution or departure proposed by the bidder must be clearly noted and described; otherwise, it will be assumed that the bidder intends to supply items specifically mentioned in this Invitation for Bids.
- G. The Urban County Government may require demonstrations of the materials proposed herein prior to acceptance of this proposal.
- H. Bids must be submitted on this form and must be signed by the bidder or his authorized representative. Unsigned bids will not be considered.
- I. Bids must be submitted prior to the date and time indicated for opening. Bids submitted after this time will not be considered.
- J. All bids mailed must be marked on the face of the envelope:

"Bid on #116-2014 SCBA Maintenance"

and addressed to: Division of Central Purchasing
 200 East Main Street, Room 338
 Lexington, Kentucky 40507

The Lexington-Fayette Urban County Government assumes no responsibility for bids that are not addressed and delivered as indicated above. Bids that are not delivered to the Division of Central Purchasing by the stated time and date will be rejected.

- K. Bidder is requested to show both unit prices and lot prices. In the event of error, the unit price shall prevail.
- L. A certified check or Bid Bond in the amount of XX percent of the bid price must be attached hereto. This check must be made payable to the Lexington-Fayette Urban County Government, and will be returned when the material and/or services specified herein have been delivered in accordance with specifications. In the event of failure to perform within the time period set forth in this bid, it is agreed the certified check may be cashed and the funds retained by the Lexington-Fayette Urban County Government as liquidated damages. Checks of unsuccessful bidders will be returned when the bid has been awarded.
- M. The delivery dates specified by bidder may be a factor in the determination of the successful bidder.
- N. Tabulations of bids received may be mailed to bidders. Bidders requesting tabulations must enclose a stamped, self-addressed envelope with the bid.
- O. The Lexington-Fayette Urban County Government is exempt from Kentucky Sales Tax and Federal Excise Tax on materials purchased from this bid invitation. Materials purchased by the bidder for construction projects are not tax exempt and are the sole responsibility of the bidder.

- P. All material furnished hereunder must be in full compliance with OSHA regulations.
- Q. If more than one bid is offered by one party, or by any person or persons representing a party, all such bids shall be rejected.
- R. Signature on the face of this bid by the Bidder or his authorized representative shall be construed as acceptance of and compliance with all terms and conditions contained herein.
- S. The Entity (regardless of whether construction contractor, non-construction contractor or supplier) agrees to provide equal opportunity in employment for all qualified persons, to prohibit discrimination in employment because of race, color, creed, national origin, sex or age, and to promote equal employment through a positive, continuing program from itself and each of its sub-contracting agents. This program of equal employment opportunity shall apply to every aspect of its employment policies and practices.
- T. The Kentucky Equal Employment Opportunity Act of 1978 (KRS 45.560-45.640) requires that any county, city, town, school district, water district, hospital district, or other political subdivision of the state shall include in directly or indirectly publicly funded contracts for supplies, materials, services, or equipment hereinafter entered into the following provisions:

During the performance of this contract, the contractor agrees as follows:

- (1) The contractor will not discriminate against any employee or applicant for employment because of race, color, religion, sex, age or national origin;*
- (2) The contractor will state in all solicitations or advertisements for employees placed by or on behalf of the contractors that all qualified applicants will receive consideration for employment without regard to race, color, religion, sex, age or national origin;*
- (3) The contractor will post notices in conspicuous places, available to employees and applicants for employment, setting forth the provisions of the non-discrimination clauses required by this section; and*
- (4) The contractor will send a notice to each labor union or representative of workers with which he has a collective bargaining agreement or other contract or understanding advising the labor union or workers' representative of the contractor's commitments under the nondiscrimination clauses.*

The Act further provides:

KRS 45.610. Hiring minorities - Information required

- (1) For the length of the contract, each contractor shall hire minorities from other sources within the drawing area, should the union with which he has collective bargaining agreements be unwilling to supply sufficient minorities to satisfy the agreed upon goals and timetable.*
- (2) Each contractor shall, for the length of the contract, furnish such information as required by KRS 45.560 to KRS 45.640 and by such rules, regulations and orders issued pursuant thereto and will permit access to all books and records pertaining to his employment practices and work sites by the contracting agency and the department for purposes of investigation to ascertain compliance with KRS 45.560 to 45.640 and such rules, regulations and orders issued pursuant thereto.*

KRS 45.620. Action against contractor - Hiring of minority contractor or subcontractor

- (1) If any contractor is found by the department to have engaged in an unlawful practice under this chapter during the course of performing under a contract or subcontract covered under KRS 45.560 to 45.640, the department shall so certify to the contracting agency and such certification shall be binding upon the contracting agency unless it is reversed in the course of judicial review.*
- (2) If the contractor is found to have committed an unlawful practice under KRS 45.560 to 45.640, the contracting agency may cancel or terminate the contract, conditioned upon a program for future compliance approved by the contracting agency and the department. The contracting agency may declare such a contractor ineligible to bid on further contracts with that agency until such time as the contractor complies in full with the requirements of KRS 45.560 to 45.640.*

- (3) *The equal employment provisions of KRS 45.560 to 45.640 may be met in part by a contractor by subcontracting to a minority contractor or subcontractor. For the provisions of KRS 45.560 to 45.640, a minority contractor or subcontractor shall mean a business that is owned and controlled by one or more persons disadvantaged by racial or ethnic circumstances.*

KRS 45.630 Termination of existing employee not required, when

Any provision of KRS 45.560 to 45.640 notwithstanding, no contractor shall be required to terminate an existing employee upon proof that that employee was employed prior to the date of the contract.

KRS 45.640 Minimum skills

Nothing in KRS 45.560 to 45.640 shall require a contractor to hire anyone who fails to demonstrate the minimum skills required to perform a particular job.

It is recommended that all of the provisions above quoted to be included as special conditions in each contract. In the case of a contract exceeding \$250,000, the contractor is required to furnish evidence that his work-force in Kentucky is representative of the available work-force in the area from which he draws employees, or to supply an Affirmative Action plan which will achieve such representation during the life of the contract.

- U. Any party, firm or individual submitting a proposal pursuant to this invitation must be in compliance with the requirements of the Lexington-Fayette Urban County Government regarding taxes and fees before they can be considered for award of this invitation and must maintain a "current" status with regard to those taxes and fees throughout the term of the contract. The contractor must be in compliance with Chapter 13 from the Code of Ordinances of the Lexington-Fayette Urban County Government. The contractor must be in compliance with Ordinance 35-2000 pursuant to contractor registration with the Division of Building Inspection. If applicable, said business must have a Fayette County business license.

Pursuant to KRS 45A.343 and KRS 45A.345, the contractor shall

- (1) *Reveal any final determination of a violation by the contractor within the previous five year period pursuant to KRS Chapters 136 (corporation and utility taxes), 139 (sales and use taxes), 141 (income taxes), 337 (wages and hours), 338 (occupational safety and health of employees), 341 (unemployment and compensation) and 342 (labor and human rights) that apply to the contractor; and*
- (2) *Be in continuous compliance with the above-mentioned KRS provisions that apply to the contractor for the duration of the contract.*

A contractor's failure to reveal the above or to comply with such provisions for the duration of the contract shall be grounds for cancellation of the contract and disqualification of the contractor from eligibility for future contracts for a period of two (2) years.

- V. Vendors who respond to this invitation have the right to file a notice of contention associated with the bid process or to file a notice of appeal of the recommendation made by the Director of Central Purchasing resulting from this invitation.

Notice of contention with the bid process must be filed within 3 business days of the bid/proposal opening by (1) sending a written notice, including sufficient documentation to support contention, to the Director of the Division of Central Purchasing or (2) submitting a written request for a meeting with the Director of Central Purchasing to explain his/her contention with the bid process. After consulting with the Commissioner of Finance the Chief Administrative Officer and reviewing the documentation and/or hearing the vendor, the Director of Central Purchasing shall promptly respond in writing findings as to the compliance with bid processes. If, based on this review, a bid process irregularity is deemed to have occurred the Director of Central Purchasing will consult with the Commissioner of Finance, the Chief Administrative Officer and the Department of Law as to the appropriate remedy.

Notice of appeal of a bid recommendation must be filed within 3 business days of the bid recommendation by (1) sending a written notice, including sufficient documentation to support appeal, to the Director, Division of Central Purchasing or (2) submitting a written request for a meeting with the Director of Central Purchasing to explain his appeal. After reviewing the documentation and/or hearing the vendor and consulting with the Commissioner of Finance and the Chief Administrative Officer, the Director of Central Purchasing shall in writing, affirm or withdraw the recommendation.

III. Procurement Contract Bid Conditions

- A. The terms of this agreement shall be for 1 year(s) from the date of acceptance of this contract by the Lexington-Fayette Urban County Government. This agreement may be automatically extended for an additional 1 year(s) renewal. This contract may be canceled by either party thirty (30) days after delivery by canceling party of written notice of intent to cancel to the other contracting party.
- B. Price Changes **(Space Checked Applies)**
 - (XXX) 1. Prices quoted in response to the Invitation shall be firm prices for the first 90 days of the Procurement Contract. After 90 days, prices may be subject to revision and such changes shall be based on general industry changes. Revision may be either increases or decreases and may be requested by either party. There will be no more than one (1) price adjustment per quarter. Requests for price changes shall be received in writing at least twenty (20) days prior to the effective date and are subject to written acceptance before becoming effective. Proof of the validity of a request for revision shall be responsibility of the requesting party. The Lexington-Fayette Urban County Government shall receive the benefit of any decline that the seller shall offer his other accounts.
 - () 2. No provision for price change is made herein. Prices are to be firm for the term of this contract.
 - () 3. Procurement Level Contract
- C. If any contract item is not available from the vendor, the Lexington-Fayette Urban County Government, at its option, may permit the item to be back-ordered or may procure the item on the open market.
- D. All invoices must bear reference to the Lexington-Fayette Urban County Government Purchasing document numbers which are being billed.
- F. This contract may be canceled by the Lexington-Fayette Urban County Government if it is determined that the Bidder has failed to perform under the terms of this agreement, such cancellation to be effective upon receipt of written notice of cancellation by the Bidder.
- G. No substitutions for articles specified herein may be made without prior approval of the Division of Central Purchasing.

LFUCG Non-Appropriation Clause

Contractor acknowledges that the LFUCG is a governmental entity, and the contract validity is based upon the availability of public funding under the authority of its statutory mandate.

In the event that public funds are unavailable and not appropriated for the performance of the LFUCG's obligations under this contract, then this contract shall automatically expire without penalty to the LFUCG thirty (30) days after written notice to Contractor of the unavailability and non-appropriation of public funds. It is expressly agreed that the LFUCG shall not activate this non-appropriation provision for its convenience or to circumvent the requirements of this contract, but only as an emergency fiscal measure during a substantial fiscal crisis, which affects generally its governmental operations.

In the event of a change in the LFUCG's statutory authority, mandate and mandated functions, by state and federal legislative or regulatory action, which adversely affects the LFUCG's authority to continue its obligations under this contract, then this contract shall automatically terminate without penalty to the LFUCG upon written notice to Contractor of such limitation or change in the LFUCG's legal authority.

EQUAL OPPORTUNITY AGREEMENT

The Law

- Title VII of the Civil Rights Act of 1964 (amended 1972) states that it is unlawful for an employer to discriminate in employment because of race, color, religion, sex, age (40-70 years) or national origin.
- Executive Order No. 11246 on Nondiscrimination under Federal contract prohibits employment discrimination by contractor and sub-contractor doing business with the Federal Government or recipients of Federal funds. This order was later amended by Executive Order No. 11375 to prohibit discrimination on the basis of sex.
- Section 503 of the Rehabilitation Act of 1973 states:
The Contractor will not discriminate against any employee or applicant for employment because of physical or mental handicap.
- Section 2012 of the Vietnam Era Veterans Readjustment Act of 1973 requires Affirmative Action on behalf of disabled veterans and veterans of the Vietnam Era by contractors having Federal contracts.
- Section 206(A) of Executive Order 12086, Consolidation of Contract Compliance Functions for Equal Employment Opportunity, states:
The Secretary of Labor may investigate the employment practices of any Government contractor or sub-contractor to determine whether or not the contractual provisions specified in Section 202 of this order have been violated.

The Lexington-Fayette Urban County Government practices Equal Opportunity in recruiting, hiring and promoting. It is the Government's intent to affirmatively provide employment opportunities for those individuals who have previously not been allowed to enter into the mainstream of society. Because of its importance to the local Government, this policy carries the full endorsement of the Mayor, Commissioners, Directors and all supervisory personnel. In following this commitment to Equal Employment Opportunity and because the Government is the benefactor of the Federal funds, it is both against the Urban County Government policy and illegal for the Government to let contracts to companies which knowingly or unknowingly practice discrimination in their employment practices. Violation of the above mentioned ordinances may cause a contract to be canceled and the contractors may be declared ineligible for future consideration.

Please sign this statement in the appropriate space acknowledging that you have read and understand the provisions contained herein. Return this document as part of your application packet.

Bidders

I/We agree to comply with the Civil Rights Laws listed above that govern employment rights of minorities, women, Vietnam veterans, handicapped and aged persons.

R. Mitchell - d
Signature

Bluegrass Uniforms + Equipment
Name of Business

GENERAL PROVISIONS OF BID CONTRACT

By signing the below, bidder acknowledges that it understands and agrees with the following provisions related to its bid response and the provision of any goods or services to LFUCG upon selection by LFUCG pursuant to the bid request:

1. Bidder shall comply with all Federal, State & Local regulations concerning this type of service or good.
2. Failure to submit ALL forms and information required by LFUCG may be grounds for disqualification.
3. Addenda: All addenda, if any, must be considered by the bidder in making its response, and such addenda shall be made a part of the requirements of the bid contract. Before submitting a bid response, it is incumbent upon bidder to be informed as to whether any addenda have been issued, and the failure of the bidder to cover any such addenda may result in disqualification of that response.
4. Bid Reservations: LFUCG reserves the right to reject any or all bid responses, to award in whole or part, and to waive minor immaterial defects in proposals. LFUCG may consider any alternative proposal that meets its basic needs.
5. Liability: LFUCG is not responsible for any cost incurred by bidder in the preparation of its response.
6. Changes/Alterations: Bidder may change or withdraw a proposal at any time prior to the opening; however, no oral modifications will be allowed. Only letters, or other formal written requests for modifications or corrections of a previously submitted proposal which is addressed in the same manner as the bid response, and received by LFUCG prior to the scheduled closing time for receipt of bids, will be accepted. The bid response when opened, will then be corrected in accordance with such written request(s), provided that the written request is contained in a sealed envelope which is plainly marked "modifications of bid response".
7. Clarification of Submittal: LFUCG reserves the right to obtain clarification of any point in a bid or to obtain additional information from any bidder.
8. Bribery Clause: By his/her signature on its response, bidder certifies that no employee of his/hers, any affiliate or subcontractor, has bribed or attempted to bribe an officer or employee of the LFUCG.
9. Additional Information: While not necessary, the bidder may include any product brochures, software documentation, sample reports, or other documentation that may assist LFUCG in better understanding and evaluating the bid response. Additional documentation shall not serve as a substitute for other documentation which is required by the LFUCG to be submitted with the bid response.
10. Ambiguity, Conflict or other Errors: If a bidder discovers any ambiguity, conflict, discrepancy, omission or other error in the bid request of LFUCG, it shall immediately notify LFUCG of such error in writing and request modification or clarification of the document if allowable by the LFUCG.
11. Agreement to Bid Terms: In submitting its bid response, the bidder agrees that it has carefully examined the specifications and all provisions relating to LFUCG's bid request, including but not limited to the bid contract. By submission of its bid response, bidder states that it understands the meaning, intent and requirements of LFUCG's bid request and agrees to the same. The successful bidder shall warrant that it is familiar with and understands all provisions herein and shall warrant that it can comply with them. No additional compensation to bidder shall be authorized for services, expenses, or goods reasonably covered under these provisions that the bidder omits from its bid response.
12. Cancellation: LFUCG may unilaterally terminate the bid contract with the selected bidder(s) at any time, with or without cause, by providing at least thirty (30) days advance written notice unless a different advance written notice period is negotiated prior to contract approval. Payment for services or goods received prior to termination shall be made by the LFUCG provided these goods or services were provided in a manner acceptable to the LFUCG. Payment for those goods and services shall not be unreasonably withheld.

13. Assignment of Contract: The selected bidder(s) shall not assign or subcontract any portion of the bid contract with LFUCG without the express written consent of LFUCG. Any purported assignment or subcontract in violation hereof shall be void. It is expressly acknowledged that LFUCG shall never be required or obligated to consent to any request for assignment or subcontract; and further that such refusal to consent can be for any or no reason, fully within the sole discretion of LFUCG.
14. No Waiver: No failure or delay by LFUCG in exercising any right, remedy, power or privilege hereunder, nor any single or partial exercise thereof, nor the exercise of any other right, remedy, power or privilege shall operate as a waiver hereof or thereof. No failure or delay by LFUCG in exercising any right, remedy, power or privilege under or in respect of this bid proposal or bid contract shall affect the rights, remedies, powers or privileges of LFUCG hereunder or shall operate as a waiver thereof.
15. Authority to do Business: Each bidder must be authorized to do business under the laws of the Commonwealth of Kentucky and must be in good standing and have full legal capacity to provide the goods or services specified in the bid proposal. Each bidder must have all necessary right and lawful authority to submit the bid response and enter into the bid contract for the full term hereof including any necessary corporate or other action authorizing the bidder to submit the bid response and enter into this bid contract. If requested, the bidder will provide LFUCG with a copy of a corporate resolution authorizing this action and/or a letter from an attorney confirming that the proposer is authorized to do business in the Commonwealth of Kentucky. All bid responses must be signed by a duly authorized officer, agent or employee of the bidder.
16. Governing Law: This bid request and bid contract shall be governed by and construed in accordance with the laws of the Commonwealth of Kentucky. In the event of any proceedings regarding this matter, the bidder agrees that the venue shall be the Fayette County Circuit Court or the U.S. District Court for the Eastern District of Kentucky, Lexington Division and that the bidder expressly consents to personal jurisdiction and venue in such Court for the limited and sole purpose of proceedings relating to these matters or any rights or obligations arising thereunder.
17. Ability to Meet Obligations: Bidder affirmatively states that there are no actions, suits or proceedings of any kind pending against bidder or, to the knowledge of the bidder, threatened against the bidder before or by any court, governmental body or agency or other tribunal or authority which would, if adversely determined, have a materially adverse effect on the authority or ability of bidder to perform its obligations under this bid response or bid contract, or which question the legality, validity or enforceability hereof or thereof.
18. Bidder understands and agrees that its employees, agents, or subcontractors are not employees of LFUCG for any purpose whatsoever. Bidder is an independent contractor at all times related to the bid response or bid contract.
19. If any term or provision of this bid contract shall be found to be illegal or unenforceable, the remainder of the contract shall remain in full force and such term or provision shall be deemed stricken.

R. Holtzel
Signature

7/16/2014
Date

COMPLY
YES/NO

1.0 SCOPE OF BID

- ✓
- 1.1 These specifications describe the majority of the parts and supplies necessary to repair and maintain scba's and related equipment operated by the Lexington-Fayette Urban County Government.
- ✓
- 1.2 The Lexington-Fayette Urban County Government has a inventory of over 250 packs and over 500 cylinders as well as 3 cascade systems. This equipment is maintained by the Fire Department Cascade Room at their facility located at 219 East 3rd St. Lexington, Ky.
- ✓
- 1.3 The primary objective of this contract is to provide the Lexington-Fayette Urban County Government with the highest quality repair parts at the best available price. The LFUCG retains the right to determine the usability, suitability, overall quality, and value of all parts and supplies purchased under this contract.

2.0 REQUIREMENTS

- ✓
- 2.1 Delivery: Vendor shall provide timely delivery of parts, during normal working hours, on an as-needed basis. **Normal delivery hours are Monday through Friday, 8 am to 4:30 pm however times could change depending on the operation hours of the facility. Bids which stipulate a minimum order amount for delivery will be rejected. There shall also be no delivery charge or fuel delivery surcharge for the term of this contract.** In the interest of reducing overall handling costs, the LFUCG will endeavor to minimize and consolidate deliveries whenever possible. A complete and accurate invoice shall accompany each delivery. If an invoice reflects a price increase which has not been approved under the terms stated in paragraph 2.2 then the invoice will not be processed for payment and LFUCG will request that a revised invoice be submitted reflecting the applicable and agreed upon price.
- ✓
- 2.1.1 Vendor shall be within 150 miles of Lexington, Ky.
- ✓
- 2.1.2 Parts that have to be ordered by the vendor should be delivered in 90 days or less. Any part or product that is over 90 days will be discounted 2% off the agreed upon price for ever 10 days over the original 90 days.
- ✓
- 2.2 Prices: Bid price levels shall remain in effect throughout the term of this contract unless price increases occur and are approved per the terms stated within this paragraph. Only acceptable format

for bid pricing shall be Bidder's List Price minus a percentage, "Bidder's List minus %", no other format will be accepted. "Bidder's List Pricing minus %" submitted shall be the same throughout the brand bid. All sublines and movement codes shall have the same % discount. For example Brand "A" manufactures diaphragms, waist belts, HUD hoses, temple straps, etc. the % discount shall be the same throughout Brand "A" manufactured products. "Bidder's List Pricing" shall be submitted in hard copy, on a CD, or access electronically no exceptions. "Bidder's List Pricing" may change due to Bidder's supplier of parts passing on a price increase for said parts. Bidder is allowed to request that price increase pass onto LFUCG, however there are no guarantees that LFUCG will accept a price increase. All price increase requests by Bidder must be submitted in writing and the Bidder is required to provide suitable and reasonable documentation to justify and verify said price increase, such as, written notification from Bidder's supplier that a price increase has occurred. If and when a price increase request is approved by LFUCG in written notification to bidder, then the price increase becomes effective no less than 30 days from date of request but always on the first day of a month. For example price increase request received by LFUCG on November 2nd, if approved, then the price increase becomes effective January 1st.

✓
2.3 Parts warranty: Bidder shall supply manufacturer's warranty information for brand/parts bid which states amount of time parts are covered from the time parts are installed. LFUCG reserves the right to submit labor claims for parts that are deemed to be defective and replaced under manufacturer's warranty.

✓
2.4 Literature: Vendor shall supply manufacturer's catalogs, electronic formats, on-line sites which pertains to items/brands bid. Vendor shall be responsible for providing updated pricing as it becomes available throughout the contract period per the terms within paragraph 2.2. All pricing shall be from the "Bidder's List Price", which will be submitted in hard copy, on CD or access electronically.

✓
2.5 Emergency Purchases: The Lexington-Fayette Urban County Government reserves the right to purchase parts and supplies from any available source in an emergency. The following conditions may be considered an emergency:

✓
2.5.1 Contract vendor does not have the needed parts or supplies in stock.

✓
2.5.2 Contract vendor is not open for business when parts or supplies

are needed.

2.5.3 Contract vendor cannot deliver in required time

2.6 Open-Market Purchases: The Lexington-Fayette Urban County Government reserves the right to purchase parts and supplies from contract vendors or from other sources whereby parts and/or supplies are offered at special, promotional, or "one-time-only" prices provided that such are discounted below the price established in the Price Contract.

3.0 INSTRUCTIONS

3.1 Below list items for which your company can provide, input the discount % you are bidding of the brand product off of the Bidder's Price List" which you will provide in hard copy and CD format. Example: under REGULATOR --- regulator, low pressure hoses ,pigtail replacement.10% is input under the heading "Price Level---- "Bidder's List" minus a percentage---input only the discount %---List price is to be submitted in hard copy, CD or electronic access". **All prices and price levels shall be verifiable through the terms set forth in paragraph 2.2.**

3.2 For each brand name indicated on your bid, it will be assumed that the full line of that brand is offered at the bid price level.

3.3 Exceptions to bid specifications shall be listed on exception page only and referenced by paragraph number, and list exception taken.

July 14, 2014

Lexington Division of Fire & Emergency Services
Lt William Cox
219 East 3rd Street
Lexington, KY 40507

RE: Bid 116-2014: SCBA Maintenance

Lt. Cox,

Thank you for the opportunity to bid on the Self Contained Breathing Apparatus (SCBA) maintenance for Lexington Fire. Please see the enclosed bid for SCBA parts from Scott Safety.

It is the intention of this bid to meet and/or exceed all department specifications with no exceptions.

All items bid are manufactured in the United States.

All items bid meet NFPA 1981: Standard on Open-Circuit Self-Contained Breathing Apparatus (SCBA) for Emergency Services Current Edition: 2007.

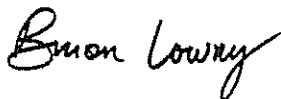
Bluegrass Uniforms & Equipment is an authorized sales and service center for Scott Safety.

Enclosed within the bid, you will see the current Scott Safety parts inventory level as well as the current stocking order placed with Scott Safety after the first of the fiscal year. This should reassure the Division of Bluegrass Uniforms & Equipment's commitment to providing top quality parts quickly.

Bid prices are firm for ninety (90) days from bid/rfp opening date.

Thank you for your consideration.

Respectfully,



Brian Lowry, Sales Representative
Bluegrass Uniforms & Equipment
961 S. 2nd Street
Louisville, KY 40203
502-594-2022



Lexington Division of Fire and Emergency Services

Scott Safety Discount off List Price

Firefighting Self-Contained Breathing Apparatus	Discount off List	Price List Page Number
Air-Pak® 75™ & Air-Pak® NxG7™ SCBA	34%	3
Air-Pak® 75™ / NxG7™ SCBA Parts & Assemblies	26%	See Parts List
EZ-Scape Integrated Self Rescue Belts	26%	5
SCBA Accessories		
Cylinders and Valves	34%	16
Supplied Airline Respirators		
ska-Pak® respirator AT Assemblies	22%	19-22
Ska-Pak Plus respirator Assemblies	22%	23-26
Ska-Pak respirator Assemblies	22%	27-29
e-Z Airline™ respirator Assemblies & Hoses	22%	30-33
Portable Air sources		
RIT-Pak® 3 emergency Air supply	26%	33
Carri-Air™ Portable Air source	26%	34
Mobile Air Cart	26%	35
TRC-1 Air Cart	26%	35
Escape Respirators		
ELSA® Emergency Escape Breathing Device	26%	36
Thermal Imaging Cameras		
Eagle Attack & Eagle 320 Camera & Accessories	21%	39-43
Communications		
All Communications Systems – Voice Amplifiers	26%	44
Facepiece Communications Brackets	26%	45
Air Purifying Respirators		
AV-3000HT Facepiece	34%	48
AV-3000 Facepiece	34%	51
AV-2000 Facepiece	30%	55
Weld-O-Vista Facepiece	30%	57
Promask 25 Facepiece	30%	60
Half Mask Respirator		
Xcel Halfmask	22%	65-65
Power Air Purifying Respirators		
Proflow 3 PAPR & Accessories	30%	68
Proflow 2 PAPR & Accessories	30%	69
C420 PAPR Parts & Accessories	30%	70-71



Lexington Division of Fire and Emergency Services

Scott Safety Discount off List Price

Cartridges, Canisters and Filters		
742 Cartridges	22%	72
40MM Cartridges	22%	73
Facepiece Adapters	22%	74
Fit Testing Kits & Accessories	22%	75
Escape Respirators		
Speed-Evac Respirator Assemblies, Parts & Accessories	26%	76
Compressors		
Charge Stations	9%	77
Guardian & Revolvair Charge Stations		
Compressors Simple Air & Hush Air Compressors	9%	78
Mobile Compressor System	9%	79
Liberty I, Liberty II, & Liberty Slip-in Mobile Compressor		
Storage & Racks Horizontal & Vertical	9%	80
Parts & Accessories for Compressors	9%	See Parts List
Portable Gas Detection Instruments		
Multiple Gas Instruments		
Protégé Multi Gas Monitor	22%	80-81
Single Gas Instruments		
Proton ZM	30%	87

2014 PRICE LIST

SCOTT SAFETY

Effective February 1st 2014
Prices are subject to change without notice.



AIR SUPPLIED RESPIRATORS

- **Firefighting Self-Contained Breathing Apparatus**
 - Air-Pak 75 & AIR-PAK X3 SCBA Configurator.....3
 - EZ-Scape Integrated Self Rescue Belts.....5
- **Non-Fire SCBA**
 - Air-Pak 75i SCBA.....7
 - ISCBA SCBA..... 8 - 10
 - ACSi SCBA.....11 - 13
 - Swat-Pak SCBA.....14
- **SCBA Accessories**
 - Cylinders and Valves.....16
 - SCBA Accessories.....17
- **Supplied Airline Respirators**
 - Ska-Pak AT Respirator Assemblies..... 18 - 20
 - Ska-Pak Plus Respirator Assemblies..... 22 - 24
 - Ska-Pak Respirator Assemblies..... 26 - 28
 - E-Z Airline Respirator Assemblies & Hoses..... 29 - 32
- **Portable Air Sources**
 - Rit-Pak III Emergency Air Supply..... 33
 - Carri-Air Portable Air Source..... 34
 - Mobile Air Cart..... 35
 - TRC-1 Air Cart..... 35
- **Escape Respirators**
 - ELSA Emergency Escape Breathing Device..... 36

ACCOUNTABILITY

- **Pass Devices**
 - Pak-Tracker Firefighter Locator.....37
 - SEMS II System..... 38
- **Thermal Imaging Cameras**
 - Eagle Imager 320 Camera and Accessories 39 - 41
 - Eagle Attack Camera and Accessories 42 - 43
- **Communications**
 - All communications systems.....44
 - E-Z Radiocom II Communications Device
 - E-Z Radiocom I Communications Device
 - Talk-Around Communications Device
 - Hazmat Radiocom Communications Device
 - Con-Space Link Communications Device
 - EPIC Voice Amplifier
 - EPIC RI Wireless Communications System
 - Communications Accessories.....45
 - Facepiece Brackets & Ordering Matrix46

AIR PURIFYING RESPIRATORS

- **Full Facepiece Respirators**
 - AV-3000 HT Facepiece 48
 - AV-3000 Facepiece with SureSeal..... 51 - 51
 - AV-2000 Facepiece..... 55 - 54
 - Weld-O-Vista Facepiece.....58 - 57
 - Promask 25 Facepiece.....61 - 60
 - M110 CBRN Dual Facepiece64
 - M120 CBRN Facepiece 65
- **Half-Mask Respirators**
 - Xcel Halfmask 66 - 67
- **Powered Air Purifying Respirators**
 - Proflow 3 PAPR & Accessories..... 68
 - Proflow 2 PAPR & Accessories..... 69
 - C420 PAPR Parts & Accessories..... 70 - 71
- **Cartridges, Canisters and Filters**
 - 742 Cartridges.....72
 - 40MM Cartridges & Canisters.....73
 - Facepiece Adapters.....74
 - Fit Testing Kits and Accessories.....75
- **Escape Respirators**
 - Speed-Evac Respirator Assemblies, Part & Accessories..... 76

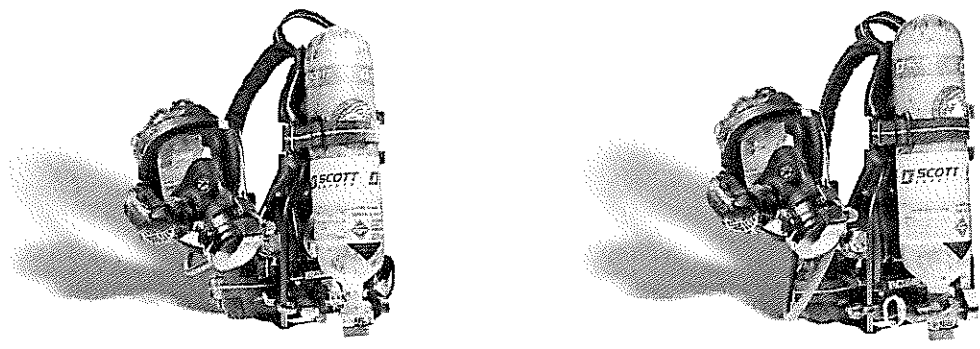
COMPRESSORS

- **Charge Stations**
 - Guardian and Revolvair Charge Stations77
- **Compressors**
 - Simple Air & Hush Air Compressors..... 78
- **Mobile Compressor System**
 - Liberty I, Liberty II, & Liberty Slip-in Mobile Compressors..... 79
- **Storage & Racks**
 - Horizontal & Vertical.....80

PORTABLE GAS DETECTION

- **Multiple Gas Instruments**
 - Protégé Configurator..... 82
 - Protégé Multi-Gas Monitor84 - 86
 - Protégé ZM Single-Gas Monitor..... 87
 - Protégé ZM Configurator 88

This price list is intended for use only by Scott Safety Authorized Distributors and their personnel and supersedes all previous price lists. Prices are subject to change without notice. Scott Safety Terms of Conditions are applicable to this document. Should a copy of the Terms and Conditions be needed, they can be obtained by contacting Scott Safety directly. © 2011 Scott Safety. SCOTT, the SCOTT SAFETY Logo, Scott Health and Safety, Air-Pak, NxG7, EZ-Scape, Air-Pak 50i, ISCBA, ACS, SWAT-PAK, E-Z Airline, Rit-Pak, Carri-Air, ELSA, Ska-Pak, Pak-Tracker, SEMS, Eagle Imager, Eagle Attack, E-Z Radiocom, Talk-Around, EPIC, AV-3000, AV-2000, Weld-O-Vista, Speed-Evac, Revolvair, and Protégé are registered and/or unregistered marks of Scott Technologies, Inc. or its affiliates.



AIR-PAK 75 & AIR-PAK X3 SCBA

BUILT-TO SPECIFICATION CONFIGURATOR
NFPA 1981 & 1982 APPROVED

SCBA Model	List Price	Air-Pak 75 SCBA			Air-Pak X3 SCBA			Wireframe & Air-Pak 75 SCBA		Applicable options for all Air-Pak SCBA models											
		Harness	List Price	Pressure (psig)	List Price	Belt Type	List Price	Escape Rope / Anchorage Connector / Descender	List Price	Regulator	List Price	EBSS	List Price	Airline Options	List Price	Console	List Price	Case	List Price	Packaging	List Price
Wireframe	\$3,465	Standard	N/C	2215	\$365	Standard	N/C	None (No FRP)	N/C	Standard Hose	N/C	None	N/C	None	N/C	Gauge & H/B Only	\$1,360	None	N/C	1 SCBA per box	N/C
Air-Pak 75	\$3,465	Spring clip	N/C	4560	\$290	EZ-Scape I Rescue Belt	\$470	50 webbing / Crosby hook / Fire AL2 descender	\$340	Quick Connect Hose	\$310	Dual	\$605	Hansen	\$315	PASS	\$2,250	Hard Plastic	\$145	2 SCBA per box	\$215
Air-Pak X3 with LGA	\$3,680			5500	\$650	EZ-Scape II, small	\$705	75 webbing / Crosby hook / Fire AL2 descender	\$440				Schraeder	\$315	Pak Tracker Locator	\$2,445	Soft Canvas	\$145			
Air-Pak X3 with Snow Charge	\$3,680					EZ-Scape II, medium	\$705	50 T-Safe rope / Crosby hook / F4 descender	\$925				Hansen HX	\$315	SEMS II System	\$2,850					
						EZ-Scape II, large	\$705	75 T-Safe rope / Crosby hook / F4 descender	\$705				Fester	\$315							
						EZ-Scape III, small	\$760														
						EZ-Scape III, medium	\$760														
						EZ-Scape III, large	\$760														
						EZ-Scape IV, small	\$1,045														
						EZ-Scape IV, medium	\$1,045														
						EZ-Scape IV, large	\$1,045														

1. Part Number:

Select a one or two digit number per box from the chart above that corresponds to your choice

X3	X	X	X	X	X	X	X	X	X	0	X	X	X
----	---	---	---	---	---	---	---	---	---	---	---	---	---

- ① Wireframe requires the use of the spring clip harness
- ② EZ-Scape available on AP75 and Wireframe SCBA only
- ③ Airline option not available on Air-Pak X3 SCBA or when dual EBSS is installed on Air-Pak 75 and Wireframe SCBA
- ④ When ordering a case (soft or hard plastic) with any Air-Pak SCBA, you must choose one per box

2. Price:

Select the price that corresponds to the number selected above

X3	\$X	\$X	\$X	\$X	\$X	\$X	\$X	\$X	\$X	\$0	\$X	\$X	\$X
----	-----	-----	-----	-----	-----	-----	-----	-----	-----	-----	-----	-----	-----

Example

Air-Pak X3 SCBA Model:
with standard harness;
for 5500 psig cylinder;
with E-Z Flo+ regulator
with QC;
with dual EBSS;
including Integrated PASS
with Pak Tracker;
shipped one per box

X3	3	1	5	0	2	2	2	0	0	3	0	1	
	\$3,680	\$0	\$650	\$0	\$0	\$310	\$605	\$0		\$2,445	\$0	\$0	

Total: Add up all costs
\$7,690

This price configurator is a guide to Scott's Air-Pak SCBA part numbers.

NOTES

EZ-SCAPE

INTEGRATED SELF-RESCUE BELTS

EZ-Scape I Integrated Self-Rescue Belt*Air-Pak SCBA Backframe**Aluminum Wireframe*

<i>Part number</i>	<i>Part number</i>	<i>Description</i>	<i>List Price</i>
200861-101	200861-201	EZ-Scape I, One Size Fits All, 50' Kevlar Webbing, Crosby Hook, AL Descent Device	\$1,190.00
200861-102	200861-202	EZ-Scape I, One Size Fits All, 75' Kevlar Webbing, Crosby Hook, AL Descent Device	\$1,280.00

EZ-Scape II Integrated Self-Rescue Belt*Air-Pak SCBA Backframe**Aluminum Wireframe*

<i>Part number</i>	<i>Part number</i>	<i>Description</i>	<i>List Price</i>
200918-111	200918-211	EZ-Scape II, Small, 50' T-Safe Rope, Crosby Hook, F4 Descender	\$1,560.00
200918-112	200918-212	EZ-Scape II, Small, 75' T-Safe Rope, Crosby Hook, F4 Descender	\$1,640.00
200918-121	200918-221	EZ-Scape II, Medium, 50' T-Safe Rope, Crosby Hook, F4 Descender	\$1,560.00
200918-122	200918-222	EZ-Scape II, Medium, 75' T-Safe Rope, Crosby Hook, F4 Descender	\$1,640.00
200918-131	200918-231	EZ-Scape II, Large, 50' T-Safe Rope, Crosby Hook, F4 Descender	\$1,560.00
200918-132	200918-232	EZ-Scape II, Large, 75' T-Safe Rope, Crosby Hook, F4 Descender	\$1,640.00

EZ-Scape III Integrated Self-Rescue Belt*Air-Pak SCBA Backframe**Aluminum Wireframe*

<i>Part number</i>	<i>Part number</i>	<i>Description</i>	<i>List Price</i>
200918-141	200918-241	EZ-Scape III, with Axe Loop, Positioning Ring, Small, 50' T-Safe Rope, Crosby Hook, F4 Descender	\$1,620.00
200918-142	200918-242	EZ-Scape III, with Axe Loop, Positioning Ring, Small, 75' T-Safe Rope, Crosby Hook, F4 Descender	\$1,700.00
200918-151	200918-251	EZ-Scape III, with Axe Loop, Positioning Ring, Medium, 50' T-Safe Rope, Crosby Hook, F4 Descender	\$1,620.00
200918-152	200918-252	EZ-Scape III, with Axe Loop, Positioning Ring, Medium, 75' T-Safe Rope, Crosby Hook, F4 Descender	\$1,700.00
200918-161	200918-261	EZ-Scape III, with Axe Loop, Positioning Ring, Large, 50' T-Safe Rope, Crosby Hook, F4 Descender	\$1,620.00
200918-162	200918-262	EZ-Scape III, with Axe Loop, Positioning Ring, Large, 75' T-Safe Rope, Crosby Hook, F4 Descender	\$1,700.00

EZ-Scape IV Integrated Self-Rescue Belt*Air-Pak SCBA Backframe**Aluminum Wireframe*

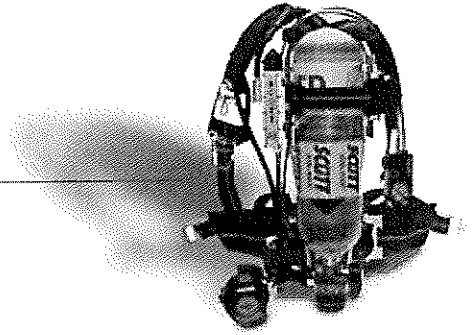
<i>Part number</i>	<i>Part number</i>	<i>Description</i>	<i>List Price</i>
200918-171	200918-271	EZ-Scape IV, with Axe Loop, Positioning Ring, Multi-Use Strap and Double Pouch, Small, 50' T-Safe Rope, Crosby Hook, F4 Descender	\$1,910.00
200918-172	200918-272	EZ-Scape IV, with Axe Loop, Positioning Ring, Multi-Use Strap and Double Pouch, Small, 75' T-Safe Rope, Crosby Hook, F4 Descender	\$1,990.00
200918-181	200918-281	EZ-Scape IV, with Axe Loop, Positioning Ring, Multi-Use Strap and Double Pouch, Medium, 50' T-Safe Rope, Crosby Hook, F4 Descender	\$1,910.00
200918-182	200918-282	EZ-Scape IV, with Axe Loop, Positioning Ring, Multi-Use Strap and Double Pouch, Medium, 75' T-Safe Rope, Crosby Hook, F4 Descender	\$1,990.00
200918-191	200918-291	EZ-Scape IV, with Axe Loop, Positioning Ring, Multi-Use Strap and Double Pouch, Large, 50' T-Safe Rope, Crosby Hook, F4 Descender	\$1,910.00
200918-192	200918-292	EZ-Scape IV, with Axe Loop, Positioning Ring, Multi-Use Strap and Double Pouch, Large, 75' T-Safe Rope, Crosby Hook, F4 Descender	\$1,990.00

Re-packing Jig for E-Z Scape II, III, and IV (a single jig can be used re-pack many EZ-Scape Belts)

200904-01	Re-packing Jig for for 50' rope	\$40.00
200904-02	Re-packing Jig for for 75' rope	\$40.00

AIR-PAK 2.2/3.0/4.5 SCBA

(NIOSH 42 CFR CERTIFIED)



Air-Pak 4.5 (NFPA 1981, 2007 approved)

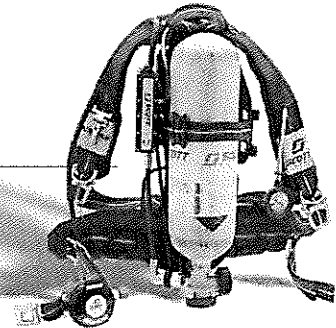
Padded Harness • Voice Amplifier • AV-3000 Facepiece • E-Z Flo + Regulator (includes cylinder)

Part Number	Duration	Price
804861-3707	30 Minute	\$7,340.00
804861-3807	45 Minute	\$7,720.00
804861-3710	30 Minute	\$7,490.00
804861-3810	45 Minute	\$7,730.00

Note: Refer to page 16 for Cylinder ordering information. Refer to pages 51 - 65 for facepieces ordering information.

AIR-PAK 75i SCBA

BUILT-TO SPECIFICATION CONFIGURATOR
NIOSH 42 CFR CERTIFIED



SCBA Model	List Price	Harness	List Price	Pressure (psig)	List Price	Cylinder	List Price	Regulator	List Price	EBSS	List Price	Airline Options	List Price	Facepiece	List Price	Console	List Price	Case	List Price	Packaging	List Price					
4	Air-Pak 75i SCBA	\$2190	5	Kevlar®/Parachute Buckle	N/C	2	2216	N/C	1	None	N/C	0	None	N/C	0	None	N/C	1	Gauge	N/C	0	None	N/C	1	One Per Box	N/C
							4	4500	\$290			2	Dual	\$605	1	Hansen	\$315	1	AV-2000, Kevlar® (CS)	\$314			1	Hard Case	\$145	
							2	2216 with RIC/UAC	\$280						2	Schrader	\$315						2	Soft Case	\$145	
							7	4500 with RIC/UAC	\$580						4	Hansen HK Plug	\$315									
							8	5500	\$650						5	Hansen HK Socket	\$315									
							9	5500 with RIC/UAC	\$950																	

1. Part Number:
Select a one or two digit number per box from the chart above that corresponds to your choice

APi	4	5	X	00	X	X	X	X	1	X	1
-----	---	---	---	----	---	---	---	---	---	---	---

⓪ Order cylinders separately
Ⓛ Airline options not available when dual EBSS is installed on Air-Pak 75i SCBA

2. Price:
Select the price that corresponds to the number selected above

APi	\$X	\$X	\$X	\$0	\$X	\$X	\$X	\$X	\$X	\$X	\$X
-----	-----	-----	-----	-----	-----	-----	-----	-----	-----	-----	-----

Example
Air-Pak 75i SCBA Model;
Kevlar®/Parachute Buckle;
for 2216 psig cylinder; (no cylinder)
with E-Z Flo with Vibralert regulator
no EBSS
with Hansen Airline
No Facepiece
standard gauge
with hard plastic case
shipped one per box

APi	4	5	2	00	1	0	1	0	1	1	1
	\$2,190	\$0	\$0		\$0	\$0	\$315	\$0	\$0	\$145	\$0

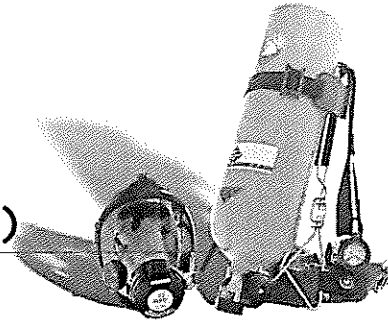
Total: Add up all costs

\$2,650

This price configurator is a guide to Scott's Air-Pak 75i SCBA part numbers.

INDUSTRIAL SCBA (ISCBA)

ASSEMBLIES & ACCESSORIES
(NIOSH 42 CFR CERTIFIED)



Select part numbers from this product line are part of the Scott Fast Trax Program. Contact your Regional Manager or Scott Customer Service for more details.

SCBA Model	List Price	Harness	List Price	Pressure (psig)	List Price	Cylinder	List Price	Regulator	List Price	Manifold ①	List Price	Airline Options	List Price	Facepiece ②	List Price	Console	List Price	Case	List Price	Packaging	List Price
ISCBA SCBA	\$1,205	1 Nylon/Polymer Buckle	N/C	2 2216	N/C	00 None	N/C	3 EZ-Flo standard	N/C	1 Single	N/C	0 None	N/C	0 None	\$-	1 Gauge	N/C	0 None	N/C	One Per Box	N/C
		1 Kevlar®/Metal Buckle	\$135	4 4500	\$290	01 2216psi Aluminum, 30 min.	\$630	4 EZ-Flo Modular	\$60	2 Dual	\$115	1 Hansen	\$315	1 AV-2000, Kevlar® (CS)	\$314			1 Hard Case	\$145		
						02 2216psi Carbon, 30 min.	\$1,120					2 Schrader	\$315	2 AV-3000, Kevlar® (M)	\$317			2 Soft Case	\$145		
						04 4500psi Carbon, 30 min.	\$1,000					3 Cejns	\$315	3 AV-3000 SureSeal, Kevlar® (M)	\$311						
						05 4500psi Carbon, 45 min.	\$1,370					4 Hansen HK Plug	\$315	4 AV-2000 (CS) Poly	\$235						
						06 4500psi Carbon, 60 min.	\$1,530					5 Hansen HK Socket	\$315	5 AV-3000 (M) Poly	\$238						
						Drained							6 AV-3000 SureSeal (M) Poly	\$233							
						AA 2216psi Aluminum, 30 min.	\$630						7 AV-2000 (CS) Rubber	\$235							
						BB 2216psi Carbon, 30 min.	\$1,120						8 AV-3000 (M) Rubber	\$249							
						DD 4500psi Carbon, 30 min.	\$1,000						9 AV-3000 SureSeal (M) Rubber	\$233							
						EE 4500psi Carbon, 45 min.	\$1,370														
						FF 4500psi Carbon, 60 min.	\$1,530														

1. Part Number:

Select a one or two digit number per box from the chart above that corresponds to your choice

IND	1	X	X	XX	X	X	X	X	1	X	1
-----	---	---	---	----	---	---	---	---	---	---	---

① Airline options require a Dual Manifold

② If you prefer an alternate Facepiece style, headharness, or size, choose "none" and order an approved Facepiece as a separate line item (see pages 51 - 65 for selection)

2. Price:

Select the price that corresponds to the number selected above

IND	\$X	\$X	\$X	\$X	\$X	\$X	\$X	\$X	\$X	\$X	\$X
-----	-----	-----	-----	-----	-----	-----	-----	-----	-----	-----	-----

Example

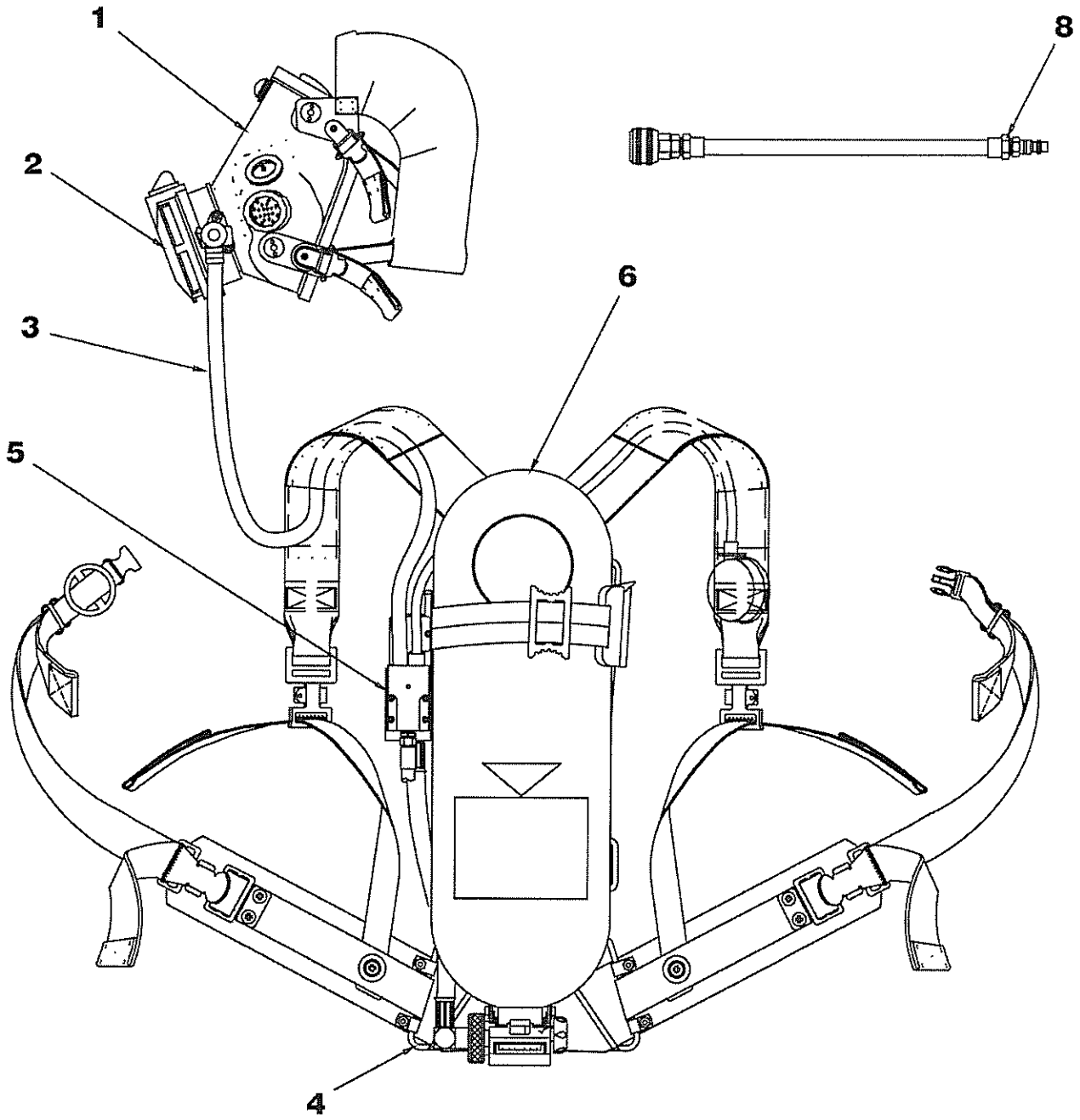
ISCBA SCBA Model;
Nylon/Polymer Buckle;
for 2216 psig cylinder;
2216psi 30min AL
cylinder;
with E-Z Flo regulator;
Dual Manifold;
Hansen Airline;
"AV2000 Kevlar™" (CS)
standard gauge
No case;
shipped one per box

IND	1	1	2	01	3	2	1	1	1	0	1
	\$1,205	\$0	\$0	\$630	\$0	\$115	\$315	\$314	\$0	\$0	\$0

Total: Add up all costs

\$2,579

This price configurator is a guide to Scott's ISCBA SCBA part numbers.



Industrial SCBA Parts & Accessories

Item Number	Description	Pieces Per Pkg	Part Number	Price
1	FACEPIECES			
1a	AV-3000 Facepiece	See Page 51		
1b	AV-2000 Facepiece	See Page 55		
2	REGULATOR			
2a	E-Z Flo	1	804441-04	\$499.20
2b	E-Z Flo with Modulair Quick Connect	1	804441-05	\$514.80
3	Quick Connect Low Pressure Hose Assembly	1	804678-01	\$160.00
4	BACKFRAME AND HARNESSSES			
4a	Kevlar with Metal Buckles	1	804621-02	\$740.00
4b	Nylon with Plastic Buckles	1	804621-03	\$620.00
5	PRESSURE REDUCERS			
5a	2216 psig, Single Port	1	804619-01	\$970.00
5b	2216 psig, Dual Port	1	804619-02	\$1,070.00
5e	4500 psig, Single Port	1	804642-01	\$1,050.00
5f	4500 psig, Dual Port	1	804642-02	\$1,160.00
6	CYLINDER AND VALVE ASSEMBLIES			
6a	Aluminum, 30-Minute, 2216 psig	1	804101-01	\$630.00
6b	Carbon, 30-Minute, 2216 psig	1	804840-01	\$1,120.00
6c	Carbon, 30-Minute, 4500 psig	1	804721-01	\$1,000.00
6d	Carbon, 45-Minute, 4500 psig	1	804722-01	\$1,370.00
6e	Carbon, 60-Minute, 4500 psig	1	804723-01	\$1,530.00
7	AIRLINE HOSE AND FITTINGS (Not shown)			
7a	Airline Accessory Hose, Hansen Fitting	1	27537-01	\$320.00
7b	Airline Accessory Hose, Schrader Fitting	1	27537-02	\$320.00
7c	Airline Accessory Hose, Hansen HK Fitting	1	27537-03	\$320.00
8	SUPPLY HOSES	See Page 31		
Not shown	Hard Carrying Case, Air-Pak Fifty / Swat-Pak / ISCBA	1	804497-01	\$322.40
Not shown	Soft Carrying Case, Air-Pak Fifty / Swat-Pak / ISCBA	1	10009324	\$152.90

ACSi SCBA

BUILT-TO SPECIFICATION CONFIGURATOR
NIOSH 42 CFR CERTIFIED



SCBA Model	List Price	Harness	List Price	Pressure (psig)	List Price	Cylinder	List Price	Regulator	List Price	Manifold	List Price	Extended Duration Airline	List Price	Facepiece	List Price	Console	List Price	Case	List Price	Packaging	List Price
ACSi SCBA	\$910	ACSi Standard	\$-	2216	\$-	None	\$-	E-Z Flo standard	\$-	Standard	\$-	None	\$-	None	\$-	Gauge	\$-	None	\$-	One Per Box	\$-
				4500	\$290	2216psi Aluminum, 30 min.	\$630	E-Z Flo Modulair	\$60			Hansen	\$315	AV-2000, Kevlar® (CS)	\$314			Hard Case	\$145		
						2216psi Carbon, 30 min.	\$1,120					Schrader	\$315	AV-3000, Kevlar® (M)	\$317			Soft Case	\$145		
						4500psi Carbon, 30 min.	\$1,000					Hansen HK Plug	\$315	AV-3000 SureSeal Kevlar® (M)	\$311						
						4500psi Carbon, 45 min.	\$1,370					Cejn	\$315	AV-2000 (CS) Poly	\$235						
						4500psi Carbon, 60 min.	\$1,530					Hansen HK Socket	\$315	AV-3000 (M) Poly	\$238						
						Draimed								AV-3000 SureSeal (M) Poly	\$233						
						AA 2216psi Aluminum, 30 min.	\$630							AV-2000 (CS) Rubber	\$235						
						EE 2216psi Carbon, 30 min.	\$1,120							AV-3000 (M) Rubber	\$249						
						DD 4500psi Carbon, 30 min.	\$1,000							AV-3000 (M) Rubber	\$233						
						EE 4500psi Carbon, 45 min.	\$1,370							AV-3000 SureSeal (M) Rubber	\$233						
						FF 4500psi Carbon, 60 min.	\$1,530														
						* NOTE selecting a cylinder with ACSI SCBA will ship a cylinder with the unique ACS designated valve assembly															

1. Part Number:
Select a one or two digit number per box from the chart above that corresponds to your choice

ACS	3	A	X	XX	X	0	X	X	1	X	1
-----	---	---	---	----	---	---	---	---	---	---	---

2. Price:
Select the price that corresponds to the number selected above

ACS	\$X	\$X	\$X	\$X	\$X	\$X	\$X	\$X	\$X	\$X	\$X
-----	-----	-----	-----	-----	-----	-----	-----	-----	-----	-----	-----

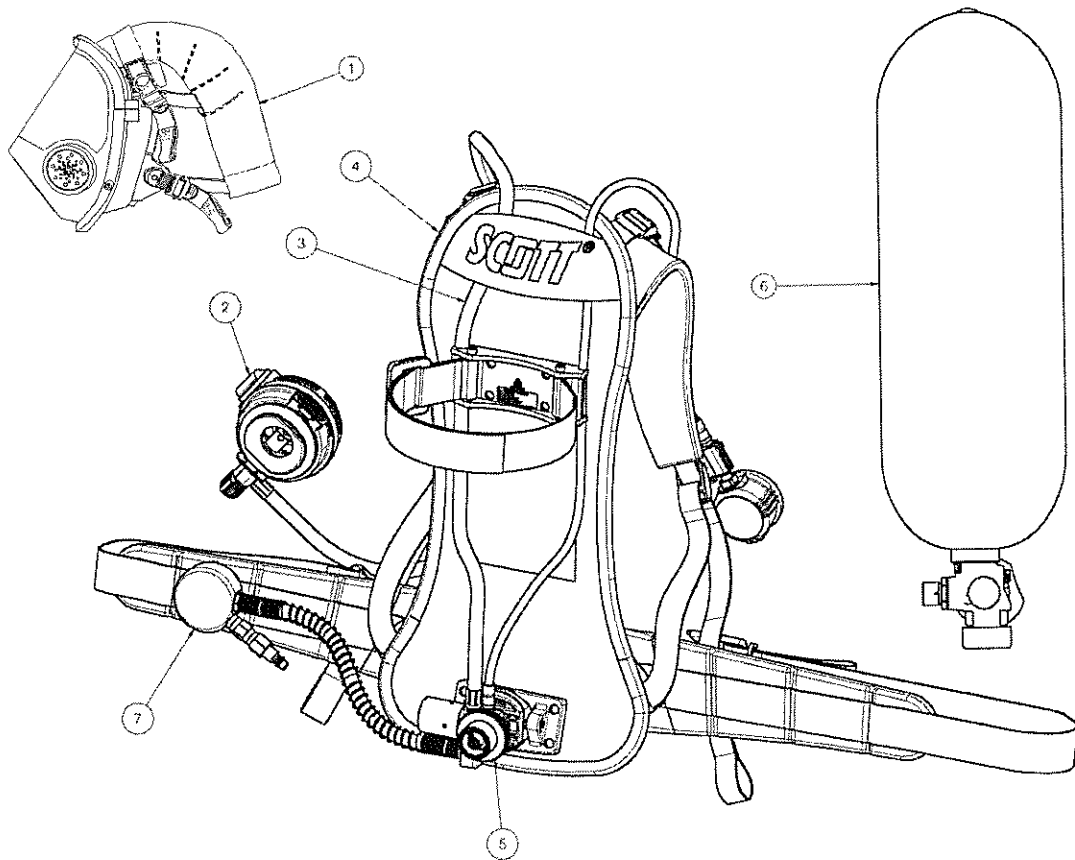
Example
ACSi SCBA Model;
Standard Harness, 2.2,
with 2216psi Aluminum
cylinder,
E-Z Flo Regulator,
No Airline,
AV-2000 Facepiece with
Rubber Head Harness,
standard gauge,
No Case,
shipped one per box

ACS	3	A	2	01	3	0	0	7	1	0	1
	\$910	\$0	\$0	\$630	\$0	\$0	\$0	\$235	\$0	\$0	\$0

Total: Add up all costs

\$1,775

This price configurator is a guide to Scott's ACSI SCBA part numbers.

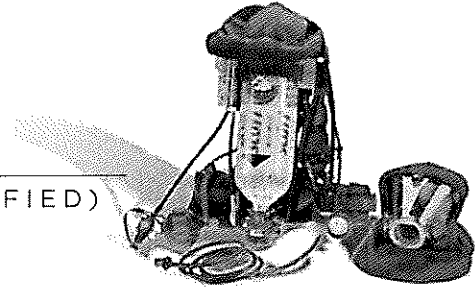


ACSi SCBA Parts & Accessories

Item Number	Description	Pieces Per Pkg	Part Number	Price
1	FACEPIECES			
1a	AV-3000 Facepiece	See Page 51		
1b	AV-2000 Facepiece	See Page 55		
2	REGULATOR			
2a	E-Z Flo Regulator	1	804441-06	\$500.00
2b	E-Z Flo with Modulair Quick Connect	1	804441-05	\$514.80
3	Quick Connect Low Pressure Hose Assembly	1	200867-01	\$160.00
4	BACKFRAME AND HARNESSSES			
4a	ACS (Advanced Carrying System) Standard Backframe/ Harness Assembly	1	200877-01	\$380.00
5	PRESSURE REDUCERS			
5a	2.2 Pressure Reducer Assembly	1	2019231	\$500.00
5b	4.5 Pressure Reducer Assembly	1	2019232	\$590.00
6	ACS CYLINDER AND VALVE ASSEMBLIES (with ACS valve)			
6a	Aluminum, 30-Minute, 2216 psig	1	200874-01	\$630.00
6b	Carbon, 30-Minute, 2216 psig	1	200873-01	\$1,120.00
6c	Carbon, 30-Minute, 4500 psig	1	200870-01	\$1,000.00
6d	Carbon, 45-Minute, 4500 psig	1	200871-01	\$1,370.00
6e	Carbon, 60-Minute, 4500 psig	1	200872-01	\$1,530.00
7	Extended Duration Airline Assembly (Not shown)			
7a	Airline Accessory Hose, Hansen Fitting	1	200879-01	\$425.00
7b	Airline Accessory Hose, Schrader Fitting	1	200879-02	\$425.00
7c	Airline Accessory Hose, Hansen HK Fitting	1	200879-03	\$425.00
7d	Airline Accessory Hose, CEJN Fitting	1	200879-05	\$425.00
8	SUPPLY HOSES	See Page 31		

SWAT-PAK

TACTICAL SCBA (NIOSH 42 CFR CERTIFIED)



4.5 SWAT-Pak SCBA, featuring the E-Z Flo Regulator with Vibralert includes: Black Kevlar Harness, Comfort Seal AV-2000 Facepiece with Kevlar Head Harness, and QD on regulator

Part Number	EBSS w/ 6'Hose	Quick Charge	Soft Case	Price
805454-60			☉	\$3,820.00

2.2 SWAT-Pak SCBA First Responder Edition*, Black Kevlar Harness, AV-2000 Facepiece with Kevlar Head Harness (Comfort Seal), Quick Connect E-Z Flo Plus CBRN Regulator, Heads-Up Display, and RIC/UAC. NIOSH CBRN SCBA performance compliant.

Part Number	EBSS w/ 6'Hose	Dual EBSS	Soft Case	Price
805454-413			☉	\$4,680.00

4.5 SWAT-Pak SCBA First Responder Edition*, Black Kevlar Harness, AV-2000 Facepiece with Kevlar Head Harness (Comfort Seal), Quick Connect E-Z Flo Plus CBRN Regulator, Heads-Up Display, and RIC/UAC. NIOSH CBRN SCBA performance compliant.

Part Number	EBSS w/ 6'Hose	Dual EBSS	Soft Case	Price
805454-416			☉	\$4,940.00
805454-417	☉		☉	\$5,570.00
805454-418		☉	☉	\$5,570.00

*Note: First Responder Edition includes the HUD but does not include the Vibralert for stealth operations.
 Note: For cylinder ordering information refer to page 16.

NOTES

CYLINDER & VALVE

30, 45, 60 & 75 MINUTE ASSEMBLIES

2216 psig 30 Minute Cylinder & Valve Assemblies

Part Number	Aluminum	Carbon	Cylinder Valve	Price
804101-01	●		●	\$630.00
804840-01		●	●	\$1,120.00
200131-01*		z ●	●	\$1,120.00
10010063**		●		\$910.00

4500 psig, 30 Minute Cylinder & Valve Assemblies

Part Number	Carbon	ST7	Cylinder Valve	Price
804721-01	●		●	\$1,000.00
200128-01*	●		●	\$1,000.00
804721-11	●	●	●	\$1,100.00
200128-11*	●	●	●	\$1,100.00
10009671**	●			\$840.00

4500 psig, 45 Minute Cylinder & Valve Assemblies

Part Number	Carbon	ST7	Cylinder Valve	Price
804722-01	●		●	\$1,370.00
200129-01*	●		●	\$1,370.00
804722-11	●	●	●	\$1,450.00
200129-11*	●	●	●	\$1,370.00
10009672**	●			\$1,380.00

4500 psig, 60 Minute Cylinder & Valve Assemblies

Part Number	Carbon	ST7	Cylinder Valve	Price
804723-01	●		●	\$1,530.00
200130-01*	●		●	\$1,530.00
804723-11	●	●	●	\$1,610.00
200130-11*	●	●	●	\$1,610.00
10009673**	●			\$1,200.00

5500psig, 30 Minute, Cylinder & Valve Assemblies

Part Number	Carbon	ST7	Cylinder Valve	Price
200930-01	●		●	\$1,110.00
200967-01*	●		●	\$1,110.00
31002299**	●			\$930.00

5500psig, 45 Minute, Cylinder & Valve Assemblies

Part Number	Carbon	ST7	Cylinder Valve	Price
200969-01	●		●	\$1,500.00
200970-01*	●		●	\$1,500.00
31002300**	●			\$1,320.00

5500psig, 60 Minute, Cylinder & Valve Assemblies

Part Number	Carbon	ST7	Cylinder Valve	Price
200972-01	●		●	\$1,680.00
200973-01*	●		●	\$1,680.00
31002301**	●			\$1,510.00

5500psig, 75 Minute, Cylinder & Valve Assemblies

Part Number	Carbon	ST7	Cylinder Valve	Price
200975-01	●		●	\$1,860.00
200976-01*	●		●	\$1,860.00
31002302**	●			\$1,620.00

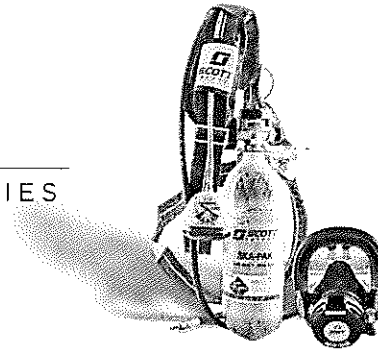
* Cylinder and valve for NxG series or X3 Snap-Change SCBA only

** Cylinder (less valve)

Air-Pak (SCBA) Accessories

Part Number	Description	Price
805511-01	Chest Strap	\$33.30
805511-02	Chest Strap w/ Snap	\$43.70
200112-01	Extended Duration Adapter Assy, Hansen	\$303.70
200112-02	Extended Duration Adapter Assy, Foster	\$303.70
200112-03	Extended Duration Adapter Assy, Hansen HK	\$303.70
200112-04	Extended Duration Adapter Assy, Schrader	\$303.70
200388-01	Tool Adapter, Snap Change	\$474.20

SKA-PAK AT RESPIRATOR ASSEMBLIES



Select part numbers from this product line are part of the Scott Fast Trax Program. Contact your Regional Manager or Scott Customer Service for more details.

SAR Model	List Price	Entry/Egress	List Price	Pressure (psig)	List Price	Cylinder	List Price	Harness	List Price	Regulator	List Price	Airline	List Price	Facepiece (1)	List Price	Case (2)	List Price	Packaging	List Price
4	\$1,270	2	N/C	2216	N/C	00 None	N/C	5 Nylon	\$165	5 E-Z Flo Vibralert	N/C	0 None	N/C	0 None	5	0 None	N/C	0 One Per Box	N/C
				3000	N/C	01 2216/Aluminum/3min	\$410	4 Kevlar*	\$290	4 E-Z Flo Vibralert OD	\$165	3 Hansen	\$110	1 AV-2000, Kevlar* (CS)	\$314	1 Hard Case	\$190		
				4500	N/C	02 3000/Carbon/5min	\$490	5 FBH (Small)	\$530			2 Schrader	\$110	2 AV-3000, Kevlar* (M)	\$317				
						03 3000/Carbon/10min	\$570	6 FBH (Medium)	\$530			3 Cejn	\$190	3 AV-3000 SureSeal, Kevlar* (M)	\$311				
						04 3000/HW/15min	\$500	7 FBH (Large)	\$530			4 Hansen HK Plug	\$200	4 AV-2000 (CS) Poly	\$235				
						05 4500/HW/10min	\$630					5 Hansen HK Socket	\$200	5 AV-3000 (M) Poly	\$238				
						06 4500/Carbon/15min	\$710							6 AV-3000 SureSeal (M) Poly	\$233				
						Drained								7 AV-2000 (CS) Rubber	\$235				
						AA 2216/Aluminum/3min	\$410							8 AV-3000 (M) Rubber	\$249				
						BB 3000/Carbon/5min	\$490							9 AV-3000 SureSeal (M) Rubber	\$233				
						CC 3000/Carbon/10min	\$570												
						DD 3000/HW/15min	\$500												
						EE 4500/HW/10min	\$630												
						FF 4500/Carbon/15min	\$710												

1. Part Number:
Select a one or two digit number per box from the chart above that corresponds to your choice

SAR	4	2	X	XX	0	X	X	X	X	X	1
-----	---	---	---	----	---	---	---	---	---	---	---

① If you prefer an alternate Facepiece style, headharness, or size, choose "none" and order an approved Facepiece as a separate line item (see pages 51 - 65 for selection)
② Cases are not compatible with select FBH styles, if selecting a FBH, please choose "none" for case option.

2. Price:
Select the price that corresponds to the number selected above

SAR	\$X	\$X	\$X	\$X		\$X	\$X	\$X	\$X	\$X	\$X
-----	-----	-----	-----	-----	--	-----	-----	-----	-----	-----	-----

Example
Ska-Pak AT SAR Model;
for Entry/Egress
for 4500 psig cylinder;
4500psig 15min Carbon
cylinder;
Kevlar* Harness
with E-Z Flo Vibralert
regulator;
Hansen Airline;
"AV2000 Kevlar" (CS)
No case;
shipped one per box

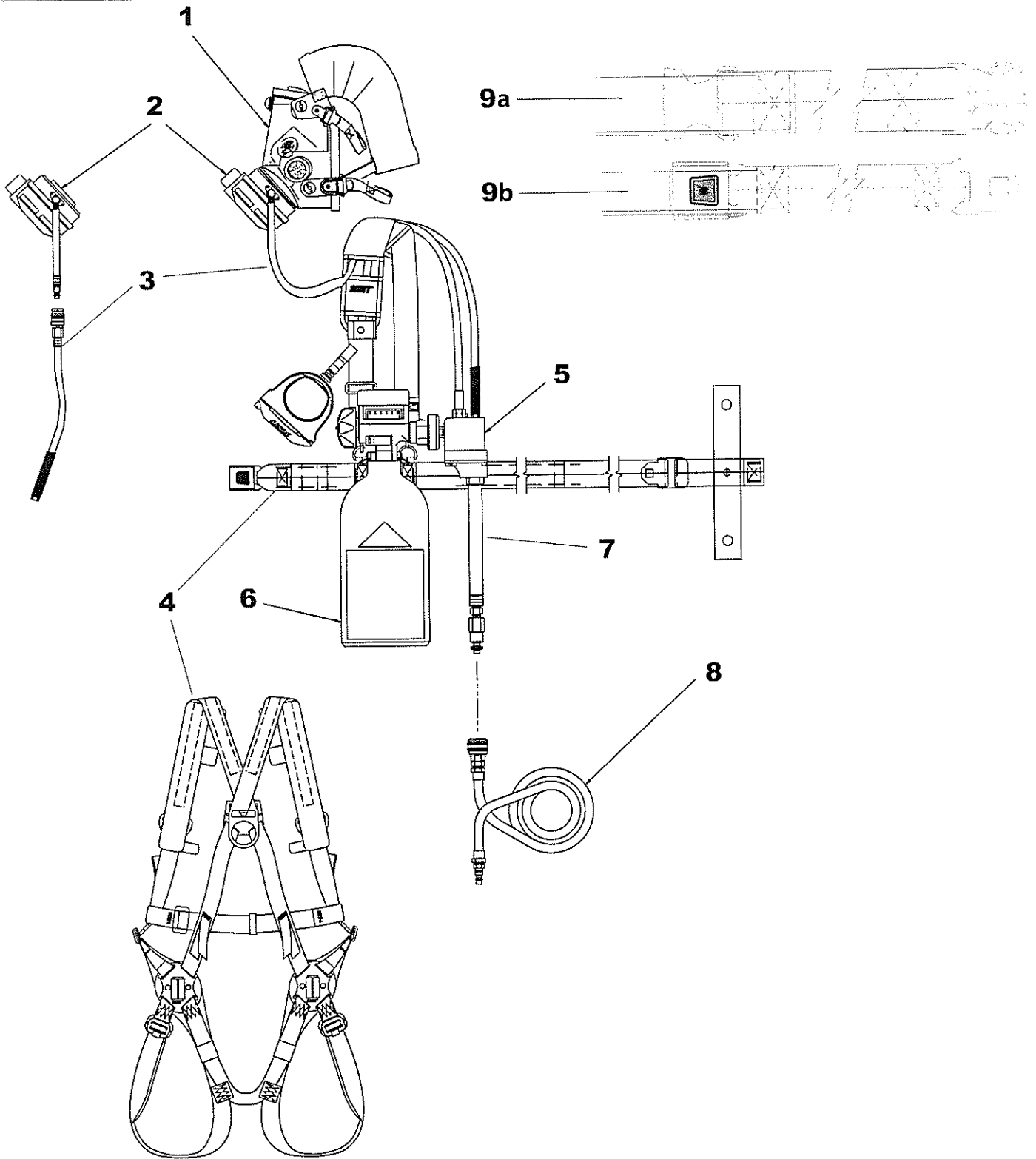
SAR	4	2	4	06	0	4	3	1	1	0	1
	\$1,270	\$0	\$0	\$710		\$290	\$0	\$110	\$314	\$0	\$0

Total: Add up all costs

\$2,694

This price configurator is a guide to Scott's Ska-Pak AT Supplied Air Respirator part numbers.

Ska-Pak AT Respirator



Ska-Pak AT Facepiece Part & Accessories

Item Number	Description	Pieces Per Pkg	Part Number	Price
1	FACEPIECE			
1a	AV-3000 Facepiece	See Page 51		
1b	AV-2000 Facepiece	See Page 55		
2	REGULATOR			
2a	E-Z Flo	1	804370-09	\$890.00
2b	E-Z Flo with Quick Connect	1	804370-02	\$923.50
3	Quick Connect Hose Assembly	1	804694-05	\$190.00
4	HARNESSES			
4a	Nylon	1	804982-01	\$240.00
4b	Kevlar	1	804981-01	\$420.00
4c*	Full Body Harness (Fall Protection)	1	805061-04	\$700.00
5	PRESSURE REDUCERS			
5a	2216/3000, Entry/Egress	1	200031-03	\$560.00
5b	4500 psig, Entry/Egress	1	200031-04	\$560.00
6	CYLINDER AND VALVE ASSEMBLIES			
6a	2216 psi, Aluminum, 3-minute	1	805031-01	\$450.00
6b	3000 psi, Carbon, 5-minute	1	805947-02	\$550.00
6c	3000 psi, Carbon, 10-minute	1	805948-02	\$620.00
6d	3000 psi, Hoop-wrap, 15-minute	1	804961-02	\$520.00
6e	4500 psi, Hoop-wrap, 10-minute	1	805032-01	\$660.00
6f	4500 psi, Carbon, 15-minute	1	200779-01	\$760.00
7	AIRLINE HOSE AND FITTINGS			
7a	Airline Hose with Hansen/Foster Fitting	1	804305-01	\$110.00
7b	Airline Hose with Schrader Fitting	1	804305-02	\$110.00
7c	Airline Hose with Hansen HK Fitting Plug	1	804305-03	\$200.00
8	AIRLINE SUPPLY HOSES	See Page 31		
9	WAIST EXTENSION BELTS			
9a	Kevlar Extension Belt, 1.5 Inches Wide	1	805088-01	\$31.20
9b	Nylon Extension Belt, 2 Inches Wide	1	805088-02	\$29.10
10	ACCESSORIES			
10a*	Ska-Pak Series Hard Case	1	803278-01	\$190.00

NOTE:

* All full body harnesses (FBH) are size medium unless otherwise specified.

* Cases are not compatible with select FBH styles

NOTES

SKA-PAK PLUS

SUPPLIED AIR RESPIRATOR ASSEMBLIES



Select part numbers from this product line are part of the Scott Fast Trax Program. Contact your Regional Manager or Scott Customer Service for more details.

SAR Model	List Price	Entry/Egress ①	List Price	Pressure (psig)	List Price	Cylinder	List Price	Harness	List Price	Regulator	List Price	Airline	List Price	Facepiece ②	List Price	Case ③	List Price	Packaging	List Price
Ska-Pak Plus SAR	\$640	2 Entry/Egress	N/C	2 2216	N/C	00 None	N/C	3 Nylon	\$165	1 E-Z Flo	N/C	0 None	N/C	0 None	\$-	0 None		1 One Per Box	N/C
		3 Egress Only	N/C	3 3000	N/C	01 2216/Aluminum/5min	\$410	4 Kevlar*	\$290	2 E-Z Flo Modular	\$60	1 Hansen	\$110	1 AV-2000, Kevlar® (CS)	\$314	1 Hard Case	\$190		
				4 4500	N/C	02 3000/Carbon/5min	\$490	5 FBH (Small)	\$530			2 Schrader	\$110	2 AV-3000, Kevlar® (M)	\$317				
						03 3000/Carbon/10min	\$570	6 FBH (Medium)	\$530			3 Cejn	\$190	3 AV-3000 SureSeal, Kevlar® (M)	\$311				
						04 3000/HW/15min	\$500	7 FBH (Large)	\$530			4 Hansen HK Plug	\$200	4 AV-2000 (CS) Poly	\$235				
						05 4500/HW/10min	\$630					5 Hansen HK Socket	\$200	5 AV-3000 (M) Poly	\$238				
						06 4500/Carbon/15min	\$710							6 AV-3000 SureSeal (M) Poly	\$233				
						Drained								7 AV-2000 (CS) Rubber	\$235				
						AA 2216/Aluminum/5min	\$410							8 AV-3000 (M) Rubber	\$249				
						BB 3000/Carbon/5min	\$490							9 AV-3000 SureSeal (M) Rubber	\$233				
						CC 3000/Carbon/10min	\$570												
						DD 3000/HW/15min	\$500												
						EE 4500/HW/10min	\$630												
						FF 4500/Carbon/15min	\$710												

1. Part Number:

Select a one or two digit number per box from the chart above that corresponds to your choice

SAR	3	X	X	XX	0	X	X	X	X	X	1
-----	---	---	---	----	---	---	---	---	---	---	---

① Must select Entry/Egress to select an Airline option

② If you prefer an alternate Facepiece style, headharness, or size, choose "none" and order an approved Facepiece as a separate line item (see pages 51 - 65 for selection)

③ Cases are not compatible with select FBH styles, if selecting a FBH, please choose "none" for case option.

2. Price:

Select the price that corresponds to the number selected above

SAR	\$X	\$X	\$X	\$X		\$X	\$X	\$X	\$X	\$X	\$X
-----	-----	-----	-----	-----	--	-----	-----	-----	-----	-----	-----

Example

Ska-Pak Plus SAR Model;
for Entry/Egress for 4500 psig cylinder; 4500psig 10min cylinder;
Nylon Harness with E-Z Flo regulator;
Hansen Airline; "AV2000 Kevlar™" (CS)
No case; shipped one per box

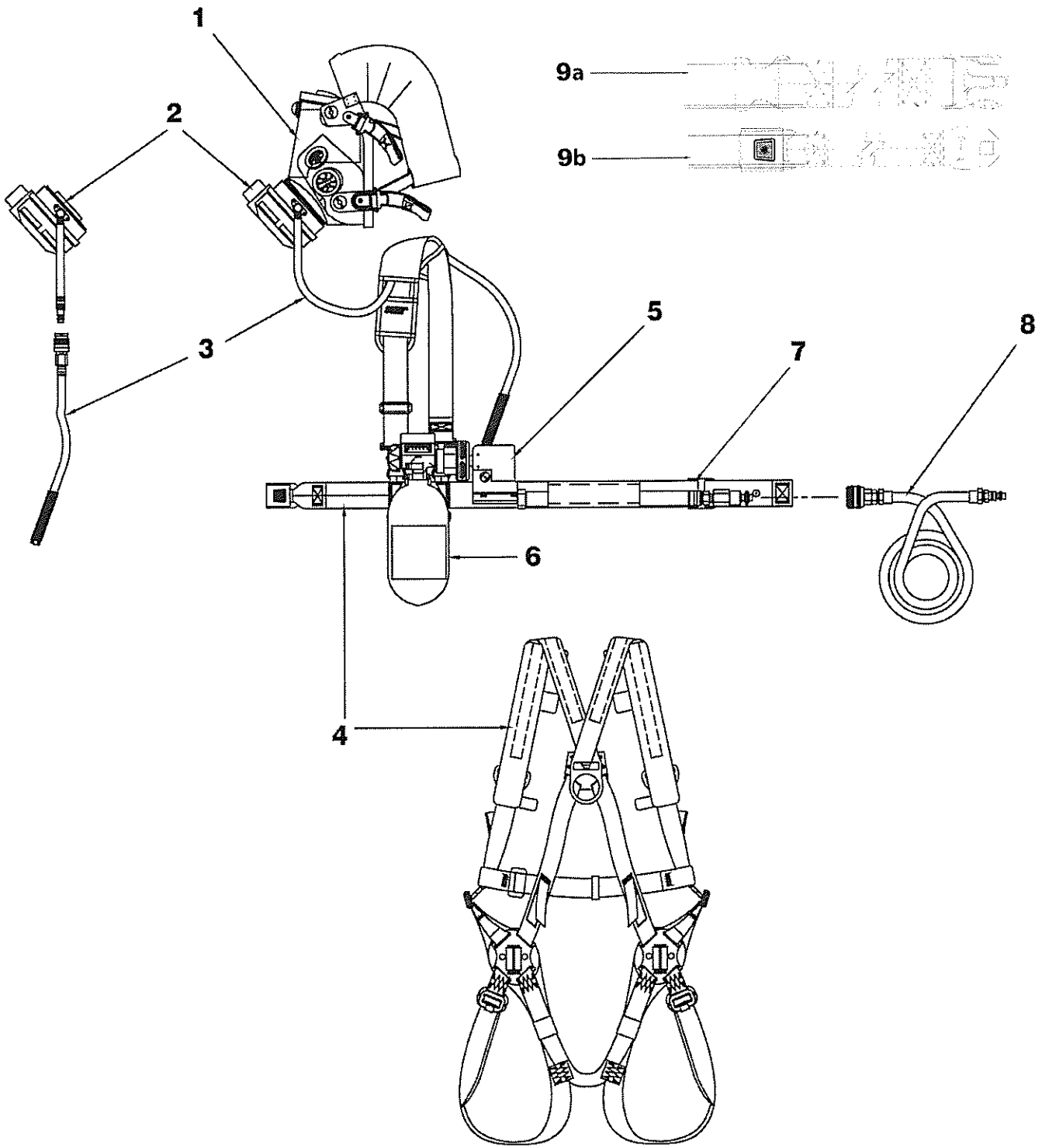
SAR	3	2	4	05	0	3	1	1	1	0	1
	\$640	\$0	\$0	\$630		\$165	\$0	\$110	\$314	\$0	\$0

Total: Add up all costs

\$1,859

This price configurator is a guide to Scott's Ska-Pak Plus Supplied Air Respirator part numbers.

Ska-Pak Plus Respirator



Ska-Pak Plus Respirator Facepiece Part & Accessories

Item Number	Description	Pieces Per Pkg	Part Number	Price
1	FACEPIECE			
1a	AV-3000 Facepiece	See Page 51		
1b	AV-2000 Facepiece	See Page 55		
2	REGULATOR			
2a	E-Z Flo	1	804221-01	\$711.40
2b	E-Z Flo with Modulair	1	804441-05	\$514.80
3	Quick Connect Hose Assembly	1	804694-01	\$200.00
4	HARNESSES			
4a	Kevlar	1	804981-01	\$420.00
4b	Nylon	1	804982-01	\$240.00
4c*	Full Body Harness (Medium)	1	805061-04	\$700.00
5	PRESSURE REDUCERS			
5a	2.2/3.0 Reducer Assembly	1	804304-11	\$404.60
5f	4.5 Reducer Assembly	1	804304-01	\$404.60
5g	4.5 Reducer Assembly (Escape Only)	1	804310-01	\$298.50
6	CYLINDER AND VALVE ASSEMBLIES			
6a	2216 psi, Aluminum, 5-minute	1	805031-01	\$450.00
6b	3000 psi, Carbon, 5-minute	1	805947-02	\$550.00
6c	3000 psi, Carbon, 10-minute	1	805948-02	\$620.00
6d	3000 psi, Hoop-wrap, 15-minute	1	804961-02	\$520.00
6e	4500 psi, Hoop-wrap, 10-minute	1	805032-01	\$660.00
6f	4500 psi, Carbon, 15-minute	1	200779-01	\$760.00
7	AIRLINE HOSE AND FITTINGS			
7a	Airline Hose with Hansen/Foster Fitting	1	804305-01	\$110.00
7b	Airline Hose with Schrader Fitting	1	804305-02	\$110.00
7c	Airline Hose with Hansen HK Fitting Plug	1	804305-03	\$200.00
8	AIRLINE SUPPLY HOSES	See Page 31		
9	WAIST EXTENSION BELTS			
9a	Nylon Extension Belt, 2 Inches Wide	1	805088-02	\$29.10
9b	Kevlar Extension Belt, 1.5 Inches Wide	1	805088-01	\$31.20
10	ACCESSORIES			
10a*	Ska-Pak Series Hard Case	1	803278-01	\$190.00

NOTE:

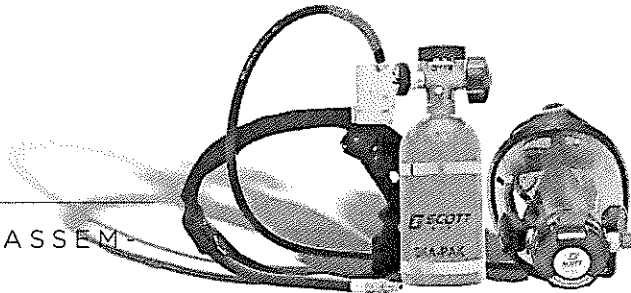
* All full body harnesses (FBH) are size medium unless otherwise specified.

* Cases are not compatible with select FBH styles

NOTES

SKA-PAK

SUPPLIED AIR RESPIRATOR ASSEMBLIES



Select part numbers from this product line are part of the Scott Fast Trax Program. Contact your Regional Manager or Scott Customer Service for more details.

SAR Model	List Price	Entry/Egress ①	List Price	Pressure (psig)	List Price	Cylinder	List Price	Harness	List Price	Regulator	List Price	Airline	List Price	Facepiece ②	List Price	Case	List Price	Packaging	List Price
Ska-Pak SAR	\$580	1 Entry/Egress	N/C	2 2216	N/C	00 None	N/C	2 Polypropylene	\$165	1 E-Z Flo	N/C	0 None	N/C	0 None	\$-	0 None	N/C	1 One Per Box	N/C
		3 Egress Only	N/C	3 3000	N/C	01 2216/Aluminum/5 min	\$480	4 Kevlar*	\$290			1 Hansen	\$110	1 AV-2000, Kevlar® (CS)	\$314	1 Hard Case	\$190		
				4 4500	N/C	04 3000/HW/15min	\$500					2 Schrader	\$110	2 AV-3000, Kevlar® (M)	\$317				
						15 4500/HW/10min	\$630					3 Ceyn	\$190	3 AV-3000 SureSeal, Kevlar® (M)	\$311				
						06 4500/Carbon/15min	\$710					4 Hansen HK Plug	\$200	4 AV-2000 (CS) Poly	\$235				
												5 Hansen HK Socket	\$200	5 AV-3000 (M) Poly	\$238				
						Drained								6 AV-3000 SureSeal (M) Poly	\$233				
						AA 2216/Aluminum/5 min	\$410							7 AV-2000 (CS) Rubber	\$235				
						DD 3000/HW/15min	\$500							8 AV-3000 (M) Rubber	\$249				
						EE 4500/HW/10min	\$630							9 AV-3000 SureSeal (M) Rubber	\$233				
						FF 4500/Carbon/15min	\$710												

1. Part Number:

Select a one or two digit number per box from the chart above that corresponds to your choice

SAR	2	X	X	XX	0	X	1	X	X	X	1
-----	---	---	---	----	---	---	---	---	---	---	---

① Must select Entry/Egress to select an Airline option

② If you prefer an alternate Facepiece style, headharness, or size, choose "none" and order an approved Facepiece as a separate line item (see pages 51 - 65 for selection)

2. Price:

Select the price that corresponds to the number selected above

SAR	\$X	\$X	\$X	\$X		\$X	\$X	\$X	\$X	\$X	\$X
-----	-----	-----	-----	-----	--	-----	-----	-----	-----	-----	-----

Example

Ska-Pak SAR Model;
for Entry/Egress
for 2216 psig cylinder;
2216psi 5min AL
cylinder;
Polypropylene Harness
with E-Z Flo regulator;
Hansen Airline;
"AV2000 Kevlar™" (CS)
No case;
shipped one per box

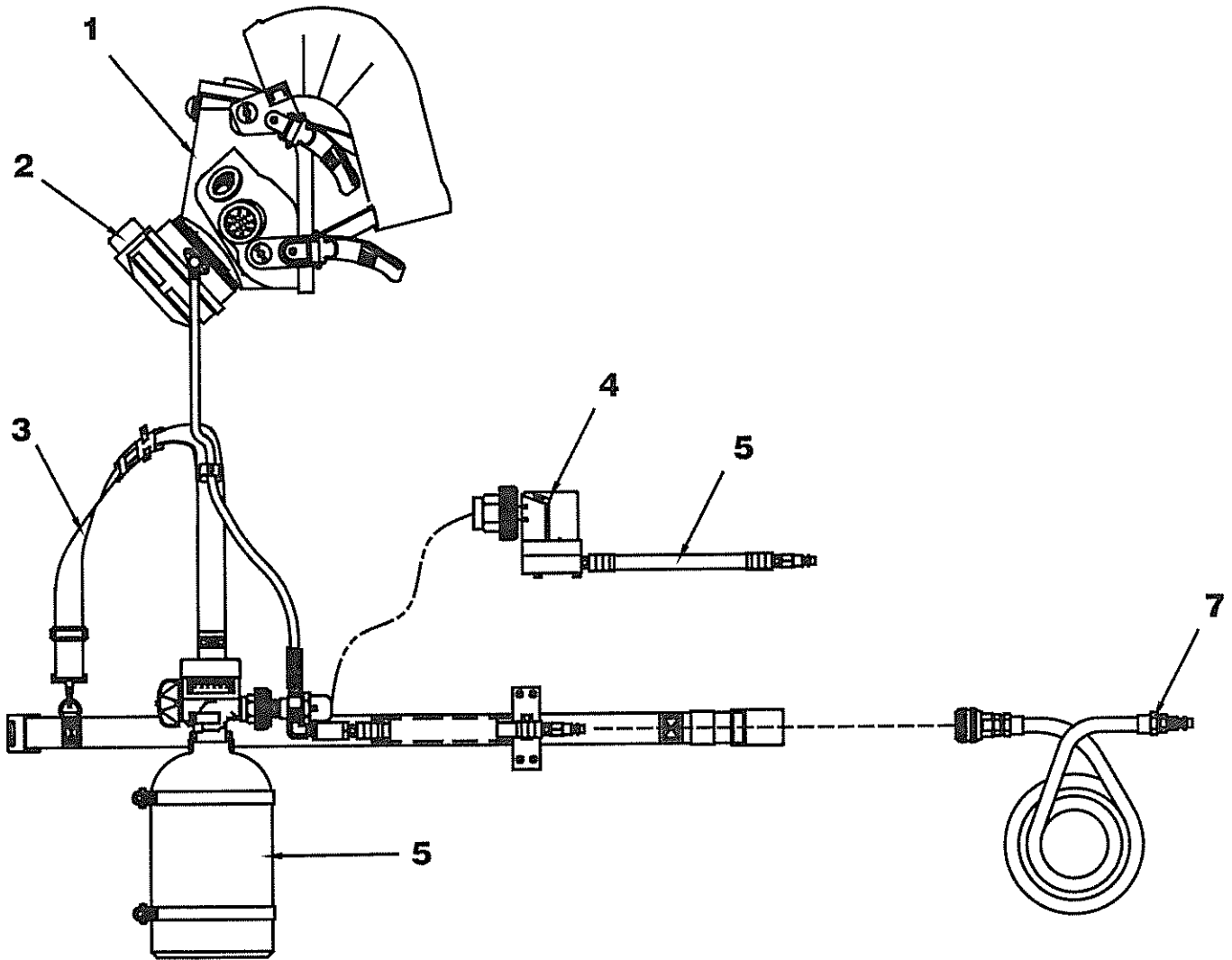
SAR	2	2	2	01	0	2	1	1	1	0	1
	\$580	\$0	\$0	\$410		\$165	\$0	\$110	\$314	\$0	\$0

Total: Add up all costs

\$1,579

This price configurator is a guide to Scott's Ska-Pak Supplied Air Respirator part numbers.

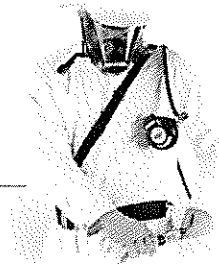
Ska-Pak Respirator



Ska-Pak Respirator Facepiece Part & Accessories

Item Number	Description	Pieces Per Pkg	Part Number	Price
1	FACEPIECE			
1a	AV-3000 Facepiece	See Page 51		
1b	AV-2000 Facepiece	See Page 55		
2	E-Z Flo Regulator	1	804221-01	\$711.40
3	HARNESSES			
3a	Polypropylene	1	802200-01	\$180.00
3b	Kevlar	1	804307-01	\$400.00
4	PRESSURE REDUCERS			
4a	2.2/3.0 Reducer Assembly	1	804304-11	\$404.60
4c	4.5 Reducer Assembly	1	804304-01	\$404.60
4d	4.5 Reducer Assembly (Escape only)	1	804310-01	\$298.50
5	CYLINDER AND VALVE ASSEMBLIES			
5a	Aluminum, 5-Minute, 2216 psig	1	801935-03	\$410.00
5b	Hoop Wrap Fiberglass, 10-Minute, 4500 psig	1	804281-01	\$610.00
5c	Hoop Wrap Fiberglass, 15-Minute, 3000 psig	1	804961-01	\$520.00
5d	Carbon, 15-minute, 4500 psig	1	200779-03	\$720.00
6	AIRLINE HOSE AND FITTINGS FOR SKA-PAK 4.5 UNITS			
6a	Airline Hose with Hansen/Foster Fitting	1	804305-01	\$110.00
6b	Airline Hose with Schrader Fitting	1	804305-02	\$110.00
6c	Airline Hose with Hansen HK Fitting Plug	1	804305-03	\$200.00
7	AIRLINE SUPPLY HOSES	See Page 31		
8	ACCESSORIES			
8a*	Ska-Pak Series Hard Case	1	803278-01	\$190.00

E-Z AIRLINE
RESPIRATOR ASSEMBLIES



Select part numbers from this product line are part of the Scott Fast Trax Program. Contact your Regional Manager or Scott Customer Service for more details.

E-Z Airline with Modulair QuickConnect

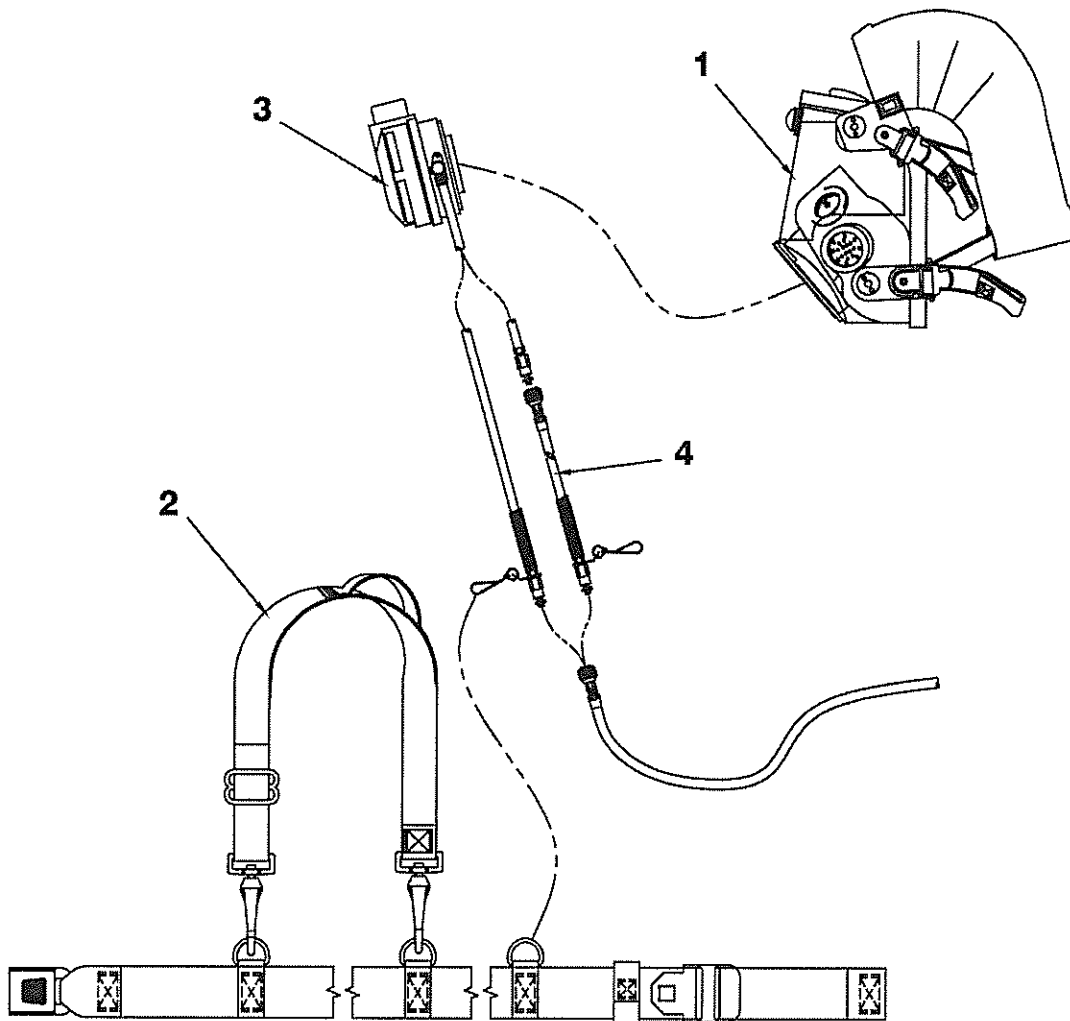
Part Numbers	Harness	Facepiece	Head Harness	Face Seal Size	Regulator	Hose Fitting	Price
804386-19	Nylon	AV-2000	Polyester	Comfort Seal	E-Z Flo w/ Modulair	Hansen	\$800.00
804386-25	Nylon	AV-2000	Polyester	Comfort Seal	E-Z Flo w/ Modulair	Schrader	\$800.00
804386-31	Nylon	AV-2000	Polyester	Comfort Seal	E-Z Flo w/ Modulair	Hansen HK	\$880.00
804386-66	Nylon	Facepiece not included, order separately			E-Z Flo w/ Modulair	Hansen	\$560.00
804386-62	Nylon	Facepiece not included, order separately			E-Z Flo w/ Modulair	Schrader	\$560.00

E-Z Airline Less Modulair QuickConnect

Part Numbers	Harness	Facepiece	Head Harness	Face Seal Size	Regulator	Hose Fitting	Price
804386-67	Nylon	Facepiece not included, order separately			E-Z Flo	Hansen	\$560.00

E-Z Airline Respirator Facepiece Part & Accessories

Item Number	Description	Pieces Per Pkg	Part Number	Price
1	FULL FACEPIECES			
1a	AV-3000 Facepiece	See Page 51		
1b	AV-2000 Facepiece	See Page 55		
2	Body harness	1	804493-01	\$150.00
3	E-Z Flo Regulator with Modulair Quick Connect Fitting	1	804441-05	\$514.80
4	REGULATOR HOSE ASSEMBLIES			
4a	Hose Assembly, Schrader	1	804694-03	\$150.00
4b	Hose Assembly, Hansen	1	804694-04	\$160.00
4c	Hose Assembly, Hansen HK Plug	1	804694-02	\$260.00



Supply Hose Assemblies

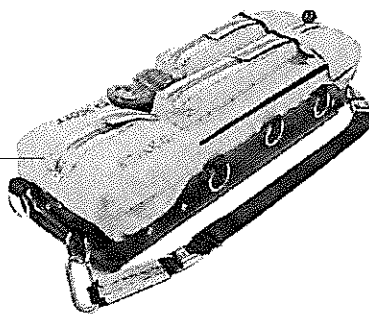
Part Number	Description	Pieces Per Pkg	Price
26369-006	Hansen HK, 6 Ft	1	\$230.00
26369-010	Hansen HK, 10 Ft	1	\$230.00
26369-025	Hansen HK, 25 Ft	1	\$350.00
26369-050	Hansen HK, 50 Ft	1	\$420.00
26369-100	Hansen HK, 100 Ft	1	\$540.00
26370-006	Foster, 6 Ft	1	\$120.00
26370-010	Foster, 10 Ft	1	\$140.00
26370-025	Foster, 25 Ft	1	\$190.00
26370-050	Foster, 50 Ft	1	\$270.00
26370-100	Foster, 100 Ft	1	\$420.00
26370-150	Foster, 150 Ft	1	\$570.00
30010-006	Hansen, 6 Ft	1	\$120.00
30010-025	Hansen, 25 Ft	1	\$190.00
30010-050	Hansen, 50 Ft	1	\$270.00
30010-100	Hansen, 100 Ft	1	\$420.00
30010-150	Hansen, 150 Ft	1	\$570.00
30010-300	Hansen, 300 Ft	1	\$1,000.00
30020-006	Schrader, 6 Ft	1	\$120.00
30020-010	Schrader, 10 Ft	1	\$140.00
30020-025	Schrader, 25 Ft	1	\$190.00
30020-050	Schrader, 50 Ft	1	\$270.00
30020-100	Schrader, 100 Ft	1	\$420.00
30020-150	Schrader, 150 Ft	1	\$570.00
805659-006	Cejn, 6 Ft	1	\$150.00
805659-025	Cejn, 25 Ft	1	\$230.00
805659-050	Cejn, 50 Ft	1	\$340.00
805659-100	Cejn, 100 Ft	1	\$460.00

Pass-Thru Assemblies

Part Number	Description	Pieces Per Pkg	Price
803620-01	Pass-Thru Assembly, Hansen Fitting	1	\$150.00
803620-02	Pass-Thru Assembly, Schrader Fitting	1	\$150.00

** Pass-thru devices are manufactured for use in protective chemical suits, e.g. Level A and Level B. NIOSH approvals for pass-thru devices in chemical suits are carried by the chemical suit manufacturer. The pass-thru devices must be installed by the suit manufacture to maintain proper NIOSH approvals.*

RIT-PAK III
AIR SOURCE KIT



RIT-Pak III

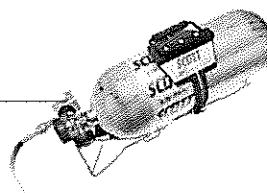
Part Number	Pressure	RIT-Pak III Carrying Bag	Shoulder Strap	6' EBSS	5' RIC Hose	RIT-Pak III Facepiece	EZ-Flo Regulator	Price
200954-01	2216	●	●	●	●	●	●	\$3,190.00
200954-02	4500	●	●	●	●	●	●	\$3,190.00
200954-03	2216	●	●	●	●			\$2,740.00
200954-04	4500	●	●	●	●			\$2,740.00
200954-05	5500	●	●	●	●	●	●	\$3,290.00
200954-06	5500	●	●	●	●			\$2,850.00

RIT-Pak Accessories

Part Number	Description	Price
200955-01	RIT-Pak III Replacement Bag Less Shoulder Strap	\$776.30
200989-01	Replacement Shoulder Strap	\$125.00
200959-01	RIT-Pak III Replacement Facepiece	\$222.50
200962-01	RIT-Pak III Replacement EZ-Flo Regulator	\$673.90
200991-01	RIT-Pak III Carrying Strap Assembly	\$125.00

CARRI-AIR

PORTABLE AIR SUPPLY ASSEMBLIES



Carri-Air Portable Air Supply Assemblies (Less Cylinder)

Part Number	Description	Pieces Per Pkg	Price
804911-01	Carri-Air Portable Air Supply With Hansen Fitting	1	\$690.00
804911-02	Carri-Air Portable Air Supply With Schrader Fitting	1	\$690.00

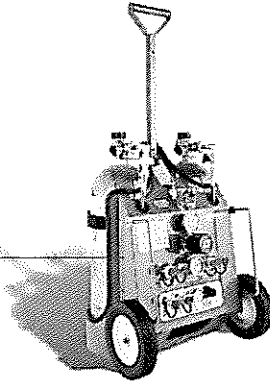
Carri-Air Portable Air Supply With Low Air Alarm (Less Cylinder)

Part Number	Description	Pieces Per Pkg	Price
804911-05	4500 psig Reducer With Hansen Connection	1	\$1,240.00
804911-06	4500 psig Reducer With Schrader Connection	1	\$1,240.00

Carri-Air Portable Air Supply Cylinders

Part Number	Description	Pieces Per Pkg	Price
804722-01	Carbon Cylinder and Valve Assembly, 4500 psig, 45-Minute	1	\$1,370.00
804723-01	Carbon Cylinder and Valve Assembly, 4500 psig, 60-Minute	1	\$1,530.00

MOBILE AIR CART
AIR SUPPLY

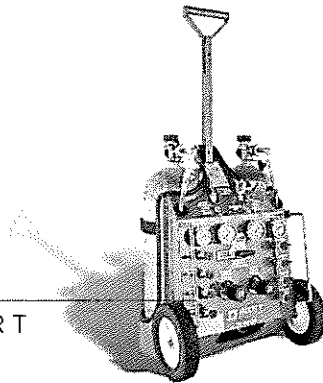


Mobile AIR CART (Less Cylinders)

Part Number	Description	Pieces Per Pkg	Price
805825-01	Mobile Air Cart, 2 Outlet, Hansen, Aux. Inlet, Less Cylinders	1	\$2,520.00
805825-04	Mobile Air Cart, 2 Outlet, Schrader, Aux. Inlet, Less Cylinders	1	\$2,520.00
805826-01	Mobile Air Cart, 4 Outlet, Hansen, Aux. Inlet, Less Cylinders	1	\$2,650.00
805826-04	Mobile Air Cart, 4 Outlet, Schrader, Aux. Inlet, Less Cylinders	1	\$2,650.00
805827-01	Mobile Air Cart, 4 Outlet, 2 Tool, Hansen, Aux. Inlet, Less Cylinders	1	\$3,070.00
805827-04	Mobile Air Cart, 4 Outlet, 2 Tool, Schrader, Aux. Inlet, Less Cylinders	1	\$3,070.00
200975-01	Carbon 5500 psig, 75 Min. Cylinder and Valve Assembly	1	\$1,860.00

Note: All Air Carts manufactured after September 15, 2012 are 5500 psi cylinder compatible

TRC-1
AIR CART



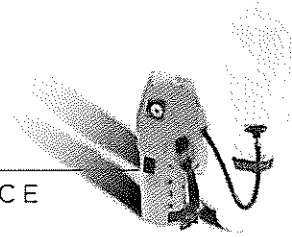
TRC-1 AIR CART (Less Cylinders)

Part Number	Description	Pieces Per Pkg	Price
200070-01	TRC-1 Air Cart, 8 Outlet, Aux. Inlet, Hansen, Less cylinders	1	\$5,860.00
200070-02	TRC-1 Air Cart, 8 Outlets, Aux. Inlet, Foster, Less cylinders	1	\$5,990.00
200070-03	TRC-1 Air Cart, 8 Outlets, Aux. Inlet, Hansen HK, Less cylinders	1	\$6,310.00
200070-04	TRC-1 Air Cart, 8 Outlets, Aux. Inlet, Schrader, Less cylinders	1	\$5,890.00
200070-05	TRC-1 Air Cart, 8 Outlets, Aux. Inlet, Cejn, Less cylinders	1	\$6,180.00

Note: All Air Carts manufactured after September 15, 2012 are 5500 psi cylinder compatible

ELSA

EMERGENCY ESCAPE BREATHING DEVICE



ELSA Emergency Escape Breathing Device

Part Number	Description	Price
2009164	ELSA 5-Minute Emergency Escape Breathing Device	\$495.00
2009165	ELSA 10-Minute Emergency Escape Breathing Device	\$610.00
2014226	ELSA 15-Minute Emergency Escape Breathing Device	\$670.00

ELSA Parts and Accessories

Part Number	Description	Price
2010880	Replacement Hood	\$110.00
2010884	Replacement Bag, 5-Minute Unit	\$83.00
2010885	Replacement Bag, 10-Minute Unit	\$83.00
2015330	Replacement Bag, 15-Minute Unit	\$83.00
2010881	Reducer Assembly, 5-Minute Unit	\$370.00
2010882	Reducer Assembly, 10-Minute and 15-Minute Unit	\$370.00
2010173	Anti-Fog Coating	\$9.40

PAK-TRACKER

FIREFIGHTER LOCATOR



Pak-Tracker Firefighter Locator

Part Number	Description	Price
200266-04	Pak- Tracker Hand-Held Receiver Kit	\$1,575.00
200267-01	Pak-Tracker Firefighter Locator Personal Transmitter Kit	\$317.68
200682-01*	Pak-Tracker Firefighter Locator Integrated Upgrade Kit* (Sensor module, cables, less console)	\$811.97
200817-01	Pak Tracker HHR/PT Kit - includes chargers, PT, HHR, and carrying case	\$3,149.63

* For NFPA 1982, 2002 Edition Air-Pak 2.2/3.0/4.5/Fifty SCBA

Accessories of Pak-Tracker Firefighter Locator

Part Number	Description	Price
200433-01	Pak-Tracker Hand-Held Receiver Truck Charging System, 12V DC	\$504.74
200433-02	Pak-Tracker Hand-Held Receiver Truck Charging System, 110V AC	\$550.72
200434-01	Pak-Tracker Hand-Held Receiver Desktop Charging System, 110V AC	\$494.29
40014453	Pak-Tracker Hand-Held Receiver Neck Strap	\$54.00
200431-01	Pak-Tracker Personal Transmitter Battery Door & Clip Assembly	\$43.89
200411-01	Pak-Tracker Personal Transmitter Lanyard	\$29.26
200711-01	Pak Tracker Personal Transmitter Programmer Kit	\$1,143.23

SEMS II

SCOTT ELECTRONIC MANAGEMENT SYSTEM



SEMS II Accountability System for Air-Pak SCBA

SEMS II is a configurable item that must be purchased with a Scott Air-Pak SCBA. To purchase SEMS II with an Air-Pak 75 or Air-Pak X3 SCBA, please go to Page 3.

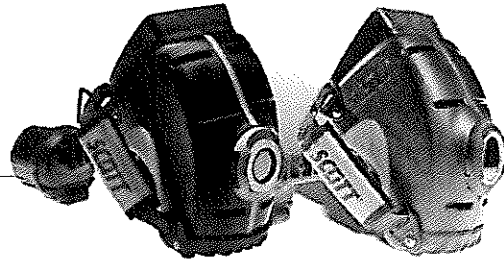
Note - The SEMS II User Interface is compatible with Windows XP®, Windows Vista® and Windows 7®, 32 bit machines only.

Accessories for SEMS II Accountability System

Part Number	Description	Price
200774-01	RFID Card (kit of 10)	\$113.00
200773-01	RFID Programmer Kit	\$605.88
200772-01	SEMS II Mesh Gateway Kit	\$1,998.04
201088-01	SEMS II Mesh Gateway USB Base Station (Base station software and instructions)	\$1,891.13
201051-01	SEMS II Repeater	\$1,729.48

EAGLE IMAGER 320

THERMAL IMAGING CAMERA



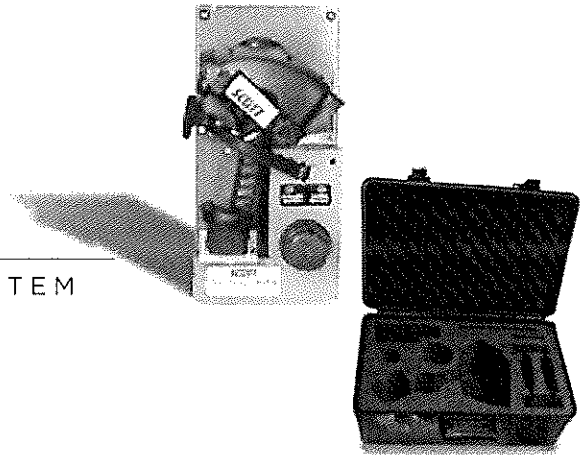
Eagle Imager 320 (Camera only with attached battery)

Part Number	Temperature Readout Bar Scale & Digital	Overhaul Mode / Tac Mode	TVR	Pak Tracker	Price
200744-01	°F	●			\$9,856.00
200744-11	°C	●			\$10,538.00
200744-14	°F	●	●		\$10,947.00
200744-18	°C	●	●		\$10,790.00
200744-21	°F	●		●	\$12,000.00
200744-22	°F	●	●	●	\$12,950.00
200744-31	°C	●		●	\$12,000.00
200744-32	°C	●	●	●	\$12,950.00

Radiometry temperature readouts available in either Fahrenheit (F) or Celsius (C) degrees.

EAGLE IMAGER 320

ACCESSORIES & TRUCK CHARGING SYSTEM



Eagle Imager 320 Thermal Imaging Camera (Spare and Replacement Parts, Case & Accessories)

Part Number	Description	Price
200199-01	Case & Accessories (includes parts marked by *)	\$956.00
200158-01	Spare NiMH battery *	\$158.00
40014453	Neck/shoulder strap *	\$54.00
31000283	Charging cradle *	\$358.00
31000366	AC adapter *	\$79.00
31000488	DC adapter *	\$113.00
200159-01	Side hand strap assembly (1)	\$29.00
200799-01	Germanium lens (Eagle Imager 320 camera)	\$437.00
31000219	Front rubber bumper	\$21.00
31000296	Rubber boot ring	\$17.00
31000348	Carrying case only (no accessories) *	\$339.00

Eagle Imager 320 Thermal Imaging Camera (Truck Charging System (TCS) & Accessories)

Part Number	Description	Price
200235-01	TCS assembly with 12 volt DC connector (includes the accessory parts listed below)	\$870.45
200235-02	TCS assembly with 110 volt AC connector (includes the accessory parts listed below)	\$880.95
40015093	Mounting kit for TCS	\$30.00
40014453	Camera neck/shoulder strap	\$54.00
200158-01	Spare battery	\$158.00

* These items are included in the carrying case.

Eagle Imager 320 Cameras Video Receiver Assembly

Part Number	Description	Price
40014832	2- channel receiver assembly w/dish mount antenna (includes parts below)	\$2,173.00
40014667	2 Channel Video Receiver	\$1,551.00
40014825	Tripod	\$100.00
40014827	12-ft. Cigarette Cord	\$56.00
40014828	Video Cable Assembly	\$46.00
40014980	2-channel receiver assembly w/magnetic mount antenna (includes parts below)	\$2,054.00
40014667	2 Channel Video Receiver	\$1,551.00
40014827	12-ft. Cigarette Cord	\$56.00
40014828	Video Cable Assembly	\$46.00
40014973	Mobile Antenna Assembly	\$310.00

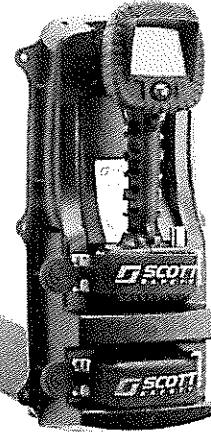
Extended Warranty Protection for Eagle X and Eagle Imager 320 Cameras

Part Number	Description	Price
camerawar61	1 year extended warranty*	\$1,130.00

* Cameras are sold with an automatic one-year warranty at no charge. Extended warranties must be ordered at time of camera purchase.

EAGLE ATTACK

THERMAL IMAGING CAMERA CONFIGURATOR



Configurator	Bumper Color	List Price	Camera/Temp Option	List Price	Feature	List Price	Charger	List Price	Power Connector - DC connector option supplied with all AC connectors	List Price	Accessories	List Price
T I P 2 B B K	R Red	N/C	1 Fahrenheit Grey Scale	\$5,999	0 Standard	N/C	0 No Charger	N/C	0 No Power Cord	N/C	1 Accessory Kit 1 *	N/C
	Y Yellow/Glow	\$25	2 Fahrenheit TAC	\$6,539	1 w/TVR	\$999	3 w/Charger	\$779	B North American Power Cord	\$15	2 Accessory Kit 2 **	\$175
	B Black	N/C	3 Celsius Grey Scale	\$6,099					G UK	\$15	F Flashlight only	\$175
	O Orange	\$25	4 Celsius TAC	\$7,149					C Europe - Germany/France	\$15	G Glare Shield Only	-\$45
									I Australia	\$15	H Lanyard Only	-\$28
											J No Accessories	-\$75





*Accessory Kit 1: Glare Shield and Lanyard

**Accessory Kit 2: Glare Shield, Lanyard, and Flashlight

Eagle Attack Accessories

Part Number	Description	Price
31000366	AC Adapter	\$79.00
31000409	Eagle Attack Germanium lens replacement	\$335.00
31002129	FLASHLIGHT, STREAMLIGHT TLR-1 - less rail	\$192.50
31002216	Eagle Attack Spare Eagle Attack TVR Download Cable - less pwr supply	\$89.00
31002265	ACCESSORY Light Rail	\$19.00
31002284	Eagle Attack Spare Eagle Attack TVR Dwnld power supply	\$32.00
40014635	DC Adapter	\$32.00
200977-01	Eagle Attack Charger - less cables	\$861.00
201021-01	Eagle Attack Lanyard	\$48.00
201026-01	Eagle Attack Spare Battery - Red	\$222.00
201026-02	Eagle Attack Spare Battery - Orange/Glow	\$230.00
201026-03	Eagle Attack Spare Battery - Yellow/Glow	\$230.00
201026-04	Eagle Attack Spare Battery - Black	\$222.00
31001914-01	Eagle Attack Spare lens guard - Red	\$22.00
31001914-03	Eagle Attack Spare lens guard - Yellow/Glow	\$31.00
31001914-04	Eagle Attack Spare lens guard - Black	\$22.00
31001915-01	Eagle Attack Spare display guard - Red	\$32.00
31001915-03	Eagle Attack Spare display guard - Yellow/Glow	\$39.00
31001915-04	Eagle Attack Spare display guard - Black	\$32.00
31001915-11	Eagle Attack Glare Shield - Red	\$45.00
31001915-13	Eagle Attack Glare Shield - Yellow/Glow	\$53.00
31001915-14	Eagle Attack Glare Shield - Black	\$45.00
31001916-01	Eagle Attack Spare battery guard - Red	\$32.00
31001916-03	Eagle Attack Spare battery guard - Yellow/Glow	\$39.00
31001916-04	Eagle Attack Spare battery guard - Black	\$32.00
33324-014	ACCESSORY Light Screw	\$1.50
201008-01	Eagle Attack Charger Strap	\$35.00
31001915-02	Eagle Attack Spare display guard - Orange/Glow	\$39.00
31001916-02	Eagle Attack Spare battery guard - Orange/Glow	\$39.00
31001914-02	Eagle Attack Spare lens guard - Orange/Glow	\$31.00
31001915-12	Eagle Attack Glare Shield - Orange/Glow	\$53.00

COMMUNICATIONS SYSTEMS

Part Number	Part Number	Voice Amplification	Radio Interface	Mask mounted PTT	Paddle style PTT	Interface w/ Conspace System	Price
EZ Radiocom II 	200119-104	●	●		●		\$1,544.51
	200119-134	●	●		●		\$1,544.51
	200119-168	●	●		●		\$1,544.51
	200119-195	●	●		●		\$1,544.51
HazMat Radiocom 	805701-04		●		●		\$795.25
	805701-34		●		●		\$771.21
	805701-68		●		●		\$795.25
	805701-95		●		●		\$996.93
Talk-Around System 	804827-01		①	●			\$1,216.38
Con-Space Link 	805107-01					●	\$556.99

① when used with PN 805435-01*

*next page

See Radio Identification Table for description of radio connectors. Consult factory to determine availability of connectors not listed.

EPIC Brackets can be used on all Scott communications systems and must be ordered separately

Communications Systems Accessories

Part Number	Description	Price
805435-04	Talk-Around interface	\$518.32
805435-34	Talk-Around interface	\$503.69
805435-68	Talk-Around interface	\$503.69
805435-95	Talk-Around interface	\$777.48

COMMUNICATIONS

KEY FOR IDENTIFYING CONNECTORS FOR 2-WAY RADIOS

Facepiece Brackets

Part Number	Description	Price
201210-01	AV-3000HT Open Bracket, Right (for use with EPIC 3 only)	\$30.30
201210-02	AV-3000HT Open Bracket, Left (for use with EPIC 3 only)	\$75.75
200715-01	AV-3000 communications bracket, right side	\$31.35
200716-01	AV-2000 communications bracket	\$31.35

EPIC 3 and EPIC Voice Amplifiers

Part Number	Description	Price
201275-01	EPIC 3 Voice Amplifier (Individually Packaged)	\$495.00
201275-0125	EPIC 3 Voice Amplifier (Package of 25)	\$11,665.50

Communications Ordering Matrix

Dash*	Radio Brand	Radio Model	HAZMAT Radiocom Paddle PTT (805701-XX)	HAZMAT Radiocom Ring Finger (805702-XX)
-03	Motorola	GP88, GTX, LTS2000, Radius P110, P1225, Radius GP300	●	●
-04	Motorola	HT1000, XTS5000	●	●
-17	Kenwood	TK320, TK340, TK350, TK353, TK240, TK248, TK250, TK260, TK270, TK360, TK370, TK430, FREETALK LINE	●	●
-34	Kenwood	TK 280, 290, 380, 390, 480, 481	●	●
-68	Motorola	GP328, HT1250, HT1550, HT750, Pro 5150	●	●

Note: Brackets for all communications systems must be ordered separately depending on whether the system will be used on an AV-2000 or AV-3000. X - Available for this model

NOTES

AV-3000 HT

SERIES FACEPIECES



TOP-DOWN CONVERTIBILITY™

The AV-3000 HT Series facepieces are fully interchangeable* with Scott's full-line of SCBA, air-supplied respirators and air purifying respirators, as well as Scott's communications products providing "Top-Down Convertibility" options. It is designed to minimize equipment inventories, simplify the complexities of user training when issued as a single personal issue facepiece and reduce redundant facepiece fit tests.

*Pending specific approvals.

AV-3000 HT Facepiece with Kevlar Head Harness

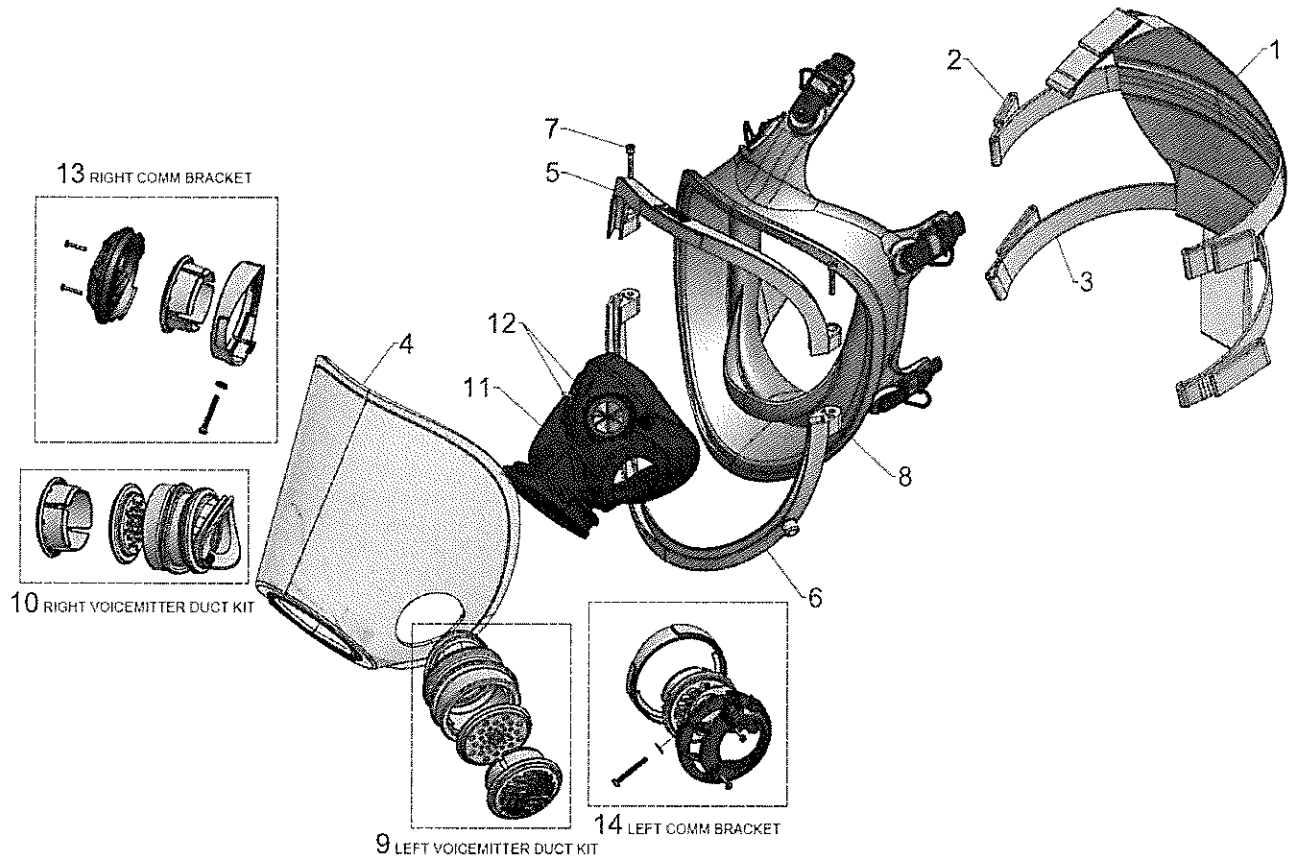
Part Number	Description	Price
201215-01	Small Faceseal	\$350.00
201215-02	Medium Faceseal	\$350.00
201215-03	Large Faceseal	\$350.00
201215-04	Small Faceseal, Right Comm Bracket	\$376.00
201215-05	Medium Faceseal, Right Comm Bracket	\$376.00
201215-06	Large Faceseal, Right Comm Bracket	\$376.00
201215-07	Small Faceseal, Left Comm Bracket	\$430.00
201215-08	Medium Faceseal, Left Comm Bracket	\$430.00
201215-09	Large Faceseal, Left Comm Bracket	\$430.00

AV-3000 HT Facepiece Parts & Accessories

Item Number	Description	Pieces Per Pkg	Part Number	Price
1	COMPLETE HEAD HARNESS ASSEMBLY			
1a	Kevlar Head Harness	1	200803-01	\$170.40
2	TEMPLE STRAPS			
2a	Kevlar Temple Strap	1	804178-02	\$22.80
3	NECK STRAPS			
3a	Kevlar Neck Strap	1	804176-02	\$23.90
4	<i>Facepiece Lens (Fenestra, Drilled) (AV-3000 HT only)</i>	1	201134-01	\$145.00
5	<i>Upper Bezel (AV-3000 HT only)</i>	1	31002809	\$9.50
6	<i>Lower Bezel (AV-3000 HT only)</i>	1	31002810	\$15.00
7	<i>Bezel Screw</i>	2	33361-020	\$2.20
8	FACEPIECE SEALS (AV-3000 SURESEAL AND AV-3000 HT)			
8a	AV-3000 SureSeal, FaceSeal, Small	1	200802-01	\$164.30
8b	AV-3000 SureSeal, FaceSeal, Medium	1	200802-02	\$164.30
8c	AV-3000 SureSeal, FaceSeal, Large	1	200802-03	\$164.30
9	<i>Left Voicemitter Duct Kit (AV-3000 HT only)</i>	1	201311-02	\$29.00
10	<i>Right Voicemitter Duct Kit (AV-3000 HT only)</i>	1	201311-01	\$29.00
11	NOSECUPS (AV-3000 HT ONLY)			
11a	Nosecup with Red Valves, Small	1	201126-02	\$49.00
11b	Nosecup with Red Valves, Medium	1	201127-02	\$49.00
11c	Nosecup with Red Valves, Large	1	201128-02	\$49.00
12	<i>Inhalation Valve, Red (AV-3000 HT only)</i>	1	31002788	\$4.10
13	<i>Comm Bracket Kit, Right (AV-3000 HT only)*</i>	1	201210-01	\$30.30
14	<i>Comm Bracket Kit, Left (AV-3000 HT only)*</i>	1	201210-02	\$75.75
not shown	<i>Fleece Facepiece Bag</i>	1	805534-01	\$26.00
not shown	<i>Neck Strap Assy</i>	1	804088-02	\$38.50

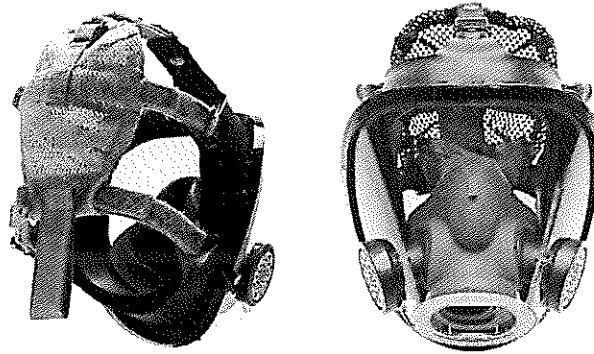
* Required with NFPA 1981, 2013 Edition approvals.

AV-3000 HT Facepiece



AV-3000

SERIES FACEPIECES



Select part numbers from this product line are part of the Scott Fast Trax Program. Contact your Regional Manager or Scott Customer Service for more details.



TOP-DOWN CONVERTIBILITY™

The AV-3000 Series facepieces are fully interchangeable with Scott's full-line of SCBA, air-supplied respirators and air purifying respirators, as well as Scott's communications products providing "Top-Down Convertibility" options. It is designed to minimize equipment inventories, simplify the complexities of user training when issued as a single personal issue facepiece and reduce redundant facepiece fit tests.

AV-3000 Facepiece With SureSeal and Kevlar Head Harness

Part Number	Description	Pieces Per Pkg	Price
805773-81	Small Face Seal, Small Nosecup	1	\$311.00
805773-82	Medium Face Seal, Medium Nosecup	1	\$311.00
805773-83	Large Face Seal, Large Nosecup	1	\$311.00
805773-84	Small Face Seal, Small Nosecup, Comm Bracket	1	\$337.00
805773-85	Medium Face Seal, Medium Nosecup, Comm Bracket	1	\$337.00
805773-86	Large Face Seal, Large Nosecup, Comm Bracket	1	\$337.00



AV-3000 Facepiece with SureSeal and Kevlar Head Harness is NIOSH CBRN APR approved with 40 mm First Responder adapter and CBRN Cap-1 Canister, and with the C420 Plus CBRN PAPR as configured on page 70

AV-3000 Facepiece with SureSeal and Polyester Head Harness

Part Number	Description	Pieces Per Pkg	Price
805774-81	Small Face Seal, Small Nosecup	1	\$233.00
805774-82	Medium Face Seal, Medium Nosecup	1	\$233.00
805774-83	Large Face Seal, Large Nosecup	1	\$233.00

AV-3000 Facepiece with SureSeal and Rubber Head Harness

Part Number	Description	Pieces Per Pkg	Price
805775-81	Small Face Seal, Small Nosecup	1	\$233.00
805775-82	Medium Face Seal, Medium Nosecup	1	\$233.00
805775-83	Large Face Seal, Large Nosecup	1	\$233.00



AV-3000 Facepiece with SureSeal and Rubber Head Harness is NIOSH CBRN APR approved with 40 mm First Responder adapter and CBRN Cap-1 Canister

AV-3000 Series Facepiece Lens Kits Accessories

Part Number	Description	Price
805753-01	Standard Eyeglass Kit	\$55.00
200372-52F	52mm Wire Frame Eyeglass Kit	\$122.40
200372-60F	60mm Wire Frame Eyeglass Kit	\$122.40

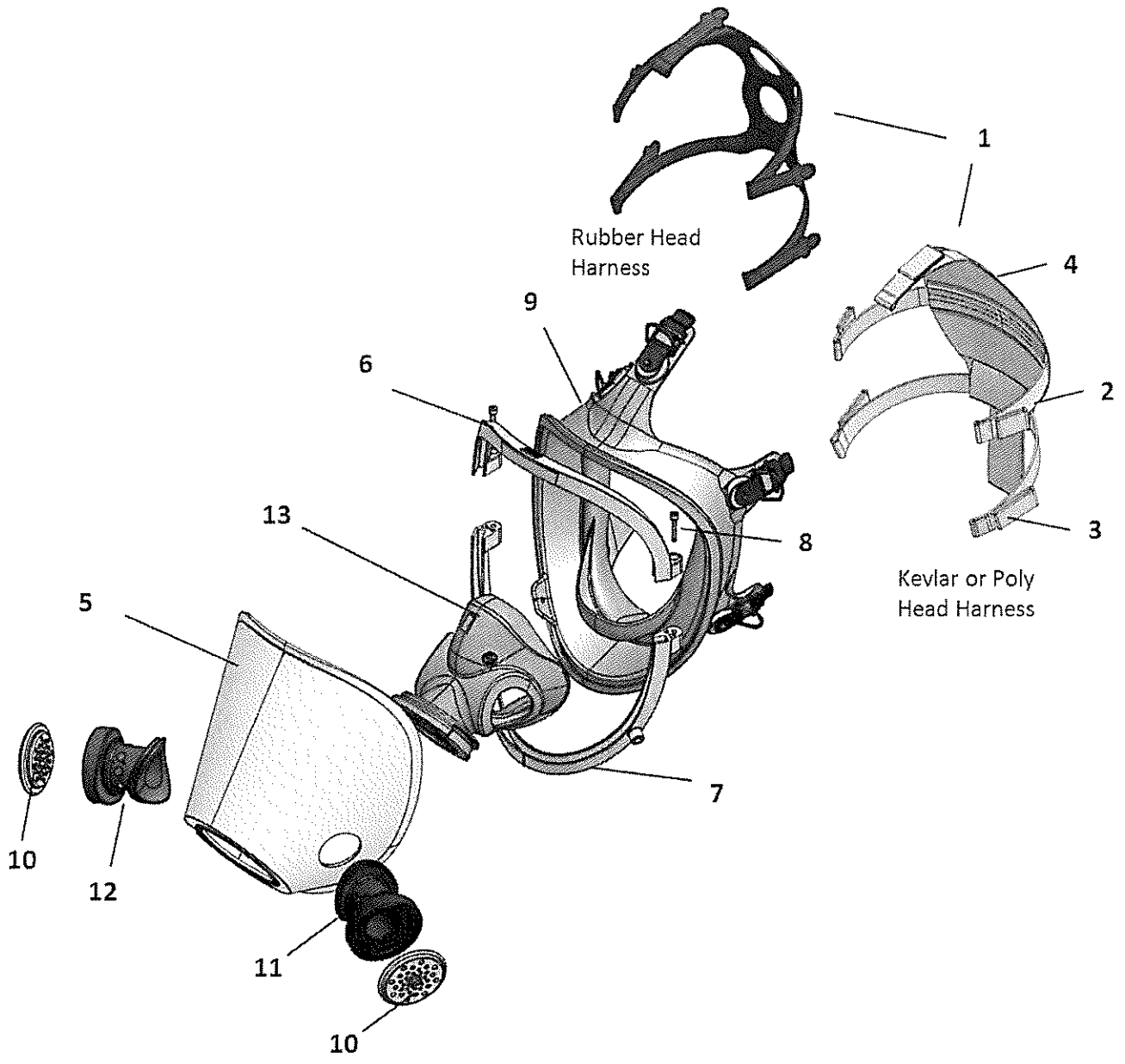
AV-3000 Facepiece with SureSeal Install Kits

Part Number	Description	Price
200844-81	Field Install Kit, AV-3000 SureSeal, Kevlar, Small	\$195.90
200844-82	Field Install Kit, AV-3000 SureSeal, Kevlar, Medium	\$195.90
200844-83	Field Install Kit, AV-3000 SureSeal, Kevlar, Large	\$195.90

AV-3000 Facepiece Parts & Accessories

Item Number	Description	Pieces Per Pkg	Part Number	Price
1	COMPLETE HEAD HARNESS ASSEMBLIES			
1a	Kevlar Head Harness (AV-3000 SureSeal)	1	200803-01	\$170.40
1b	Kevlar Head Harness SM/MED (AV-3000)	1	805808-01	\$169.00
1c	Kevlar Head Harness LARGE (AV-3000)	1	805808-02	\$169.00
1d	Polyester Head Harness (AV-3000 SureSeal)	1	200965-01	\$78.60
1e	Polyester Head Harness SM/MED (AV-3000)	1	805809-01	\$77.00
1f	Polyester Head Harness LARGE (AV-3000)	1	805809-02	\$77.00
1g	Rubber Head Harness (AV-3000 Sureseal)	1	10008522	\$68.40
1h	Rubber Head Harness, 4 pt (AV-3000)	1	200177-01	\$82.50
2	TEMPLE STRAPS (Fit AV-3000 and AV-3000 SureSeal)			
2a	Kevlar Temple Strap	1	804178-02	\$22.80
2b	Polyester Temple Strap	1	804061-01	\$19.00
3	NECK STRAPS (Fit AV-3000 and AV-3000 SureSeal)			
3a	Kevlar Neck Strap	1	804176-02	\$23.90
3b	Polyester Neck Strap	1	803920-02	\$18.70
5	AV-3000 Facepiece Lens (Fenestra, Drilled)	1	805345-01	\$125.00
6	Upper Bezel	1	10011024	\$8.80
7	Lower Bezel	1	10011025	\$13.70
8	Bezel Screw	1	33335-022	\$2.70
9	FACEPIECE SEALS			
9a	AV-3000 SureSeal, FaceSeal, Small	1	200802-01	\$164.30
9b	AV-3000 SureSeal, FaceSeal, Medium	1	200802-02	\$164.30
9c	AV-3000 SureSeal, FaceSeal, Large	1	200802-03	\$164.30
9d	AV-3000 Faceseal Small	1	805771-01	\$145.00
9e	AV-3000 Faceseal Medium	1	805771-02	\$145.00
9f	AV-3000 Faceseal Large	1	805771-03	\$145.00
10	Voicemitter	1	803759-01	\$19.00
11	Left Voicemitter Duct	1	10011027	\$6.80
12	Right Voicemitter Duct	1	10011026	\$6.80
13	NOSECUPS (Fit AV-3000 and AV-3000 Sure Seal)			
13a	Nosecup Grey Small	1	31001043	\$41.10
13b	Nosecup Grey Medium	1	31001044	\$41.10
13c	Nosecup Grey Large	1	31001045	\$41.10
not shown	Inhalation Check Valve Disk	1	10011014	\$3.40
not shown	Fleece Facepiece Bag	1	805534-01	\$26.00
not shown	EPIC Communications Clamp, Right Side Only		200715-01	\$31.35
not shown	Protective Lens Cover	10	012698	\$32.66
not shown	Neck Strap Assy	1	804088-02	\$38.50

AV-3000 and AV-3000 Facepiece with SureSeal



AV-2000

FACEPIECE



Select part numbers from this product line are part of the Scott Fast Trax Program. Contact your Regional Manager or Scott Customer Service for more details.



TOP-DOWN CONVERTIBILITY™

The AV-2000 facepiece is fully interchangeable with Scott's full-line of SCBA, air-supplied respirators and air purifying respirators, as well as Scott's communications products providing "Top- Down Convertibility " options. It is designed to minimize equipment inventories, simplify the complexities of user training when issued as a single personal issue facepiece and reduce redundant facepiece fit tests.

AV-2000 Facepiece with Kevlar Head Harness

Part Number	Description	Pieces Per Pkg	Price
804191-71	Small Face seal, Grey Nosecup	1	\$314.00
804191-72	Large Face seal, Grey Nosecup	1	\$314.00
804191-73	X-Large Face seal, Grey Nosecup	1	\$314.00
804191-74	Comfort Seal Face seal, Grey Nosecup	1	\$314.00



AV-2000 Facepiece with SureSeal and Kevlar Head Harness is NIOSH CBRN APR approved with 40 mm First Responder adapter and CBRN Cap-1 Canister, and with the C420 Plus CBRN PAPR as configured on page 70

AV-2000 Facepiece with Polyester Head Harness

Part Number	Description	Pieces Per Pkg	Price
804069-19	Small Face seal, Grey Nosecup	1	\$235.00
804069-20	Large Face seal, Grey Nosecup	1	\$235.00
804069-21	X-Large Face seal, Grey Nosecup	1	\$235.00
804069-28	Comfort Seal Face seal, Grey Nosecup	1	\$235.00

AV-2000 Facepiece with 4-Point Rubber Head Harness

Part Number	Description	Pieces Per Pkg	Price
805257-19	Small Face seal, Grey Nosecup	1	\$235.00
805257-20	Large Face seal, Grey Nosecup	1	\$235.00
805257-21	X-Large Face seal, Grey Nosecup	1	\$235.00
805257-28	Comfort Seal Face seal, Grey Nosecup	1	\$235.00

AV-2000 Facepiece Lens Kits Accessories

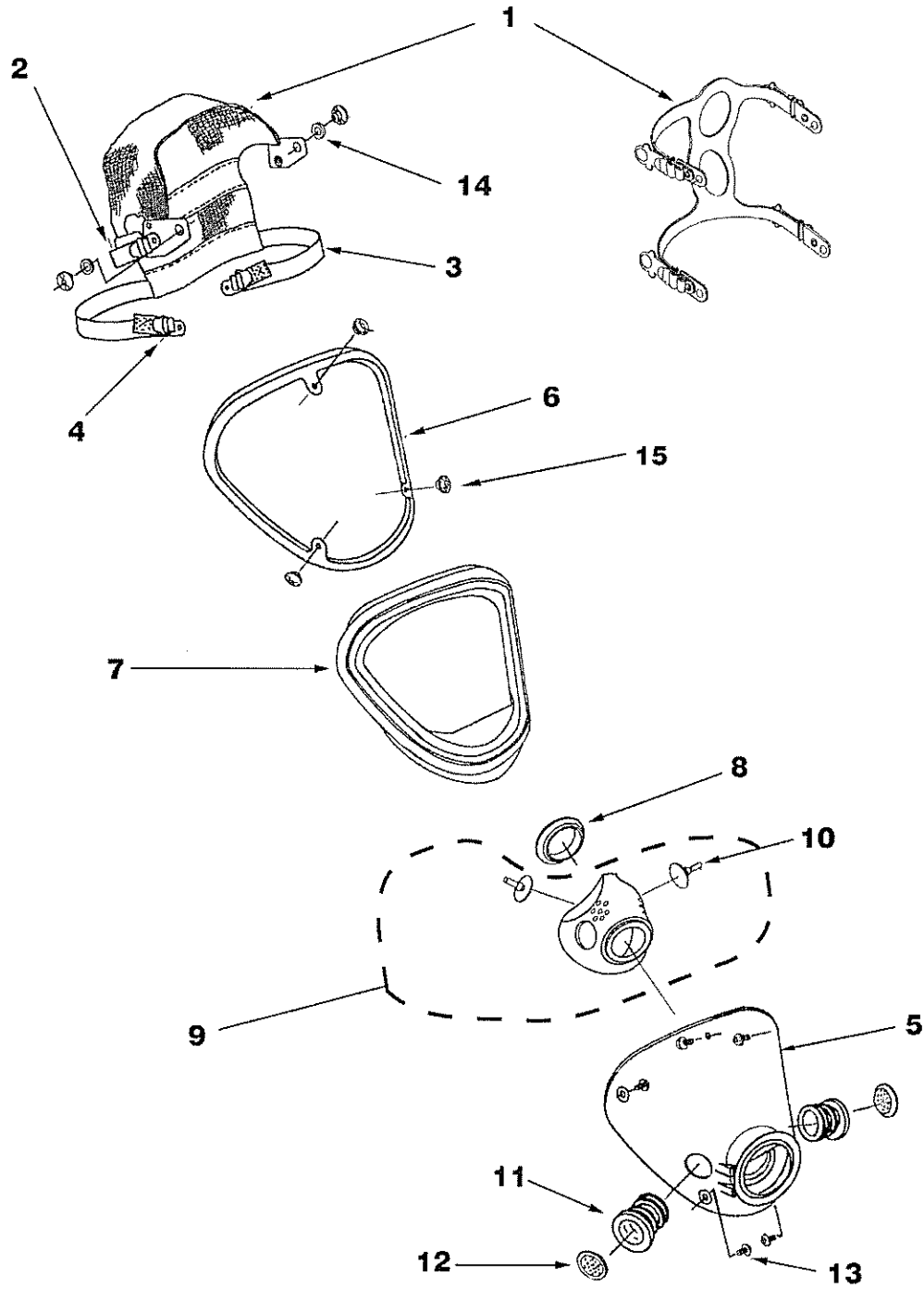
Part Number	Description	Price
804442-01	Standard Eyeglass Kit	\$60.40
200371-52F	52mm Wire Frame Eyeglass Kit	\$122.40
200371-60F	60mm Wire Frame Eyeglass Kit	\$122.40

AV-2000 Facepiece Parts & Accessories

Item Number	Description	Pieces Per Pkg	Part Number	Price
1	COMPLETE HEAD HARNESS ASSEMBLIES			
1a	Kevlar Head Harness Assembly	1	804177-01	\$175.00
1b	Polyester Head Harness Assembly	1	804063-01	\$78.00
1c	4-Point Rubber Head Harness Assembly	1	805259-01	\$66.00
2	TEMPLE STRAPS			
2a	Kevlar Temple Strap	1	804178-01	\$23.90
2b	Polyester Temple Strap	1	804061-01	\$19.00
3	NECK STRAPS			
3a	Kevlar Neck Strap	1	804176-01	\$23.90
3b	Polyester Neck Strap	1	803920-01	\$18.70
4	Lower Strap Buckle	1	803732-01	\$7.10
5	AV-2000 FACEPIECE LENS	1	804018-01	\$74.00
5a	AV-2000 Facepiece Lens (For Grey noseclip versions)	1	804018-04	\$60.00
6	Lens Frame (Fenestra)	1	10008068	\$13.60
7	FACEPIECE SEALS			
7a	Faceseal, Small (Green)	1	10005913	\$48.30
7b	Faceseal, Large (Black)	1	10005135	\$48.30
7c	Faceseal, X-Large (Red)	1	10006212	\$47.60
7d	Faceseal, Comfort Seal (Black)	1	10009779	\$47.60
9	NOSECUPI ASSEMBLY			
9a	AV-2000 Facepiece Nosecup Assembly, Grey	1	31001256	\$53.10
Not shown	AV-2000 Nosecup Conversion Kit*	1	200766-01	\$56.10
10	Inhalation Valves for Gray Nosecup	1	10008383	\$4.00
11	Voicemitter Duct	1	10008400	\$8.50
12	Voicemitter	1	804010-01	\$14.50
Not shown	Fleece Facepiece Bag	1	805534-01	\$26.00
Not shown	Protective Lens Cover	25	803941-25	\$63.00
Not shown	EPIC Communications Clamp, Right (AV-2000)	1	200716-01	\$31.35
Not shown	Neck Strap Assy	1	804088-02	\$38.50

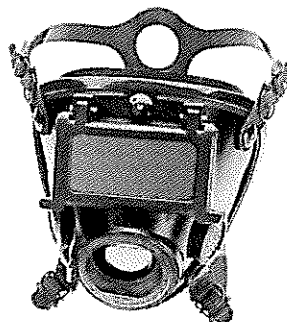
* Conversion kit includes grey noseclip, label, and upgrade instructions. Only for AV-2000 facepieces manufactured after 2004 (Lot # 050104 or later date indicated on label in chin area)

AV-2000 Facepiece



WELD-O-VISTA

FACEPIECE ASSEMBLIES



TOP-DOWN CONVERTIBILITY™

The Weld-O-Vista facepiece is fully interchangeable with Scott's full-line of SCBA, air-supplied respirators and air purifying respirators, as well as Scott's communications products providing "Top- Down Convertibility" options. It is designed to minimize equipment inventories, simplify the complexities of user training when issued as a single personal issue facepiece and reduce redundant facepiece fit tests.

Weld-O-Vista Facepiece with Kevlar Head Harness

Part Number	Description	Pieces Per Pkg	Price
805438-01	Small Faceseal	1	\$400.00
805438-02	Large Faceseal	1	\$400.00
805438-03	X-Large Faceseal	1	\$400.00
805438-08	Comfort Seal Faceseal	1	\$400.00

Weld-O-Vista Facepiece with 4-Point Rubber Head Harness

Part Number	Description	Pieces Per Pkg	Price
805438-21	Small Faceseal	1	\$346.00
805438-22	Large Faceseal	1	\$346.00
805438-23	X-Large Faceseal	1	\$346.00
805438-28	Comfort Seal Faceseal	1	\$346.00

Weld-O-Vista Facepiece with Kevlar Head Harness and Welding Hood

Part Number	Description	Pieces Per Pkg	Price
805438-41	Small Faceseal	1	\$557.00
805438-42	Large Faceseal	1	\$557.00
805438-43	X-Large Faceseal	1	\$557.00
805438-48	Comfort Seal Faceseal	1	\$557.00

Weld-O-Vista Facepiece Lens Kits Accessories

Part Number	Description	Price
804442-01	Standard Eyeglass Kit	\$60.40
200371-52F	52mm Wire Frame Eyeglass Kit	\$122.40
200371-60F	60mm Wire Frame Eyeglass Kit	\$122.40

Weld-O-Vista Facepiece Parts & Accessories

Item Number	Description	Pieces Per Pkg	Part Number	Price
1	HEAD HARNESSES			
1a	Kevlar Head Harness Assembly	1	804177-01	\$175.00
1b	4-Point Rubber Head Harness Assembly	1	805259-01	\$66.00
2	TEMPLE STRAPS			
2a	Kevlar Temple Strap	1	804178-01	\$23.90
3	NECK STRAPS			
3a	Kevlar Neck Strap	1	804176-01	\$23.90
4	Lower Buckle Strap	1	803732-01	\$7.10
5	Lens Frame	1	10008068	\$13.60
6	FACEPIECE SEALS			
6a	Faceseal, Small (Green)	1	10005913	\$48.30
6b	Faceseal, Large (Black)	1	10005135	\$48.30
6c	Faceseal, X-Large (Red)	1	10006212	\$47.60
6d	Faceseal, Comfort Seal (Black)	1	10009779	\$47.60
7	Nosecup Retaining Ring	1	10008398	\$4.00
8	Nosecup Assembly	1	804014-01	\$110.00
9	INHALATION VALVES			
10	LENS ASSEMBLIES			
10a	Weld-O-Vista Assembly (Lens with VM, Lens Holder, Nosecup)	1	805574-01	\$257.00
10b	Weld-O-Vista Lens Assembly Kit (Lens and Lens Holder)	1	805537-01	\$200.00
11	Voicemitter Duct	1	10008400	\$8.50
12	Voicemitter	1	804010-01	\$14.50
13	Lens Holder Assembly	1	805182-02	\$54.60
14	Lens Separator & Lens Retainer Kit	1	805536-01	\$12.60
15	Weld-O-Vista Facepiece Hood Installation Kit	1	805289-03	\$196.00
Not Shown	Fleece Facepiece Bag	1	805534-01	\$26.00

Weld-o-Vista Facepiece

