

PART III

Invitation to Bid No. 140-2018

Riviera Road Culvert Replacement

1. FORM OF PROPOSAL

Place: Lexington, Kentucky

Date: 11/1/2018

The following Form of Proposal shall be followed exactly in submitting a proposal for this Work.

This Proposal Submitted by C3 Construction LLC
1315 West Main Street Lexington, Ky. 40508
(Name and Address of Bidding Contractor)

(Hereinafter called "Bidder"), organized and existing under the laws of the State of Kentucky, doing business as C3 Construction LLC
Corporation "a corporation," "a partnership", or an "individual" as applicable.

To: Lexington-Fayette Urban County Government
(Hereinafter called "OWNER")
Office of the Director of Purchasing
200 East Main Street, 3rd Floor
Lexington, KY 40507

Gentlemen:

The Bidder, in compliance with your Invitation for Bids for **Riviera Road Culvert Replacement, Bid No. 140-2018**, having examined the Plans and Specifications with related documents, having examined the site for proposed Work, and being familiar with all of the conditions surrounding the construction of the proposed Project, including the availability of materials and labor, hereby proposes to furnish all labor, materials, and supplies, and to construct the Project in accordance with the Contract Documents, within the time set forth therein, and at the lump sum and/or unit prices stated hereinafter. These prices are to cover all expenses incurred in performing the Work required under the Contract Documents, of which this proposal is a part. The OWNER will issue work orders for work to be performed under this Contract.

The Bidder hereby acknowledges receipt of the following addenda:

Addendum No. 1 Date 10/30/2018

Addendum No. Date

Addendum No. Date

Addendum No. Date

Addendum No. Date

Addendum No. Date

Addendum No. Date

Addendum No. Date

Insert above the number and the date of any Addendum issued and received. If none has been issued and received, the word "NONE" should be inserted.

2. LEGAL STATUS OF BIDDER

Bidder C3 Construction LLC

Date 11/1/2018

* 1. A corporation duly organized and doing business under the laws of the State of Kentucky, for whom J. Patrick McGee, bearing the official title of Owner, whose signature is affixed to this Bid/Proposal, is duly authorized to execute contracts.

* 2. A Partnership, all of the members of which, with addresses are: (Designate general partners as such)

NA

* 3. An individual, whose signature is affixed to this Bid/Proposal (please print name)

NA

*(The Bidder shall fill out the appropriate form and strike out the other two.)

3. BIDDERS AFFIDAVIT

Comes the Affiant, [Signature], and after being first duly sworn, states under penalty of perjury as follows:

1. His/her name is J. Patrick McGee and he/she is the individual submitting the bid or is the authorized representative of C3 Construction LLC, the entity submitting the bid (hereinafter referred to as "Bidder").
 2. Bidder will pay all taxes and fees, which are owed to the Lexington-Fayette Urban County Government at the time the bid is submitted, prior to award of the contract and will maintain a "current" status in regard to those taxes and fees during the life of the contract.
 3. Bidder will obtain a Lexington-Fayette Urban County Government business license, if applicable, prior to award of the contract.
 4. Bidder has authorized the Division of Central Purchasing to verify the above-mentioned information with the Division of Revenue and to disclose to the Urban County Council that taxes and/or fees are delinquent or that a business license has not been obtained.
 5. Bidder has not knowingly violated any provision of the campaign finance laws of the Commonwealth of Kentucky within the past five (5) years and the award of a contract to the Bidder will not violate any provision of the campaign finance laws of the Commonwealth.
 6. Bidder has not knowingly violated any provision of Chapter 25 of the Lexington-Fayette Urban County Government Code of Ordinances, known as the "Ethics Act."
 7. Bidder acknowledges that "knowingly" for purposes of this Affidavit means, with respect to conduct or to circumstances described by a statute or ordinance defining an offense, that a person is aware or should have been aware that his conduct is of that nature or that the circumstance exists.
- Further, Affiant sayeth naught.

[Signature]
(Affiant)

STATE OF Kentucky
COUNTY OF Fayette

The foregoing instrument was subscribed, sworn to and acknowledged before me by J. Patrick McGee on this the 4th day of November, 2018.

My Commission expires: 10/13/2021

[Signature]
NOTARY PUBLIC, STATE AT LARGE

AMANDA M SIEGELIN
Notary Public-State at Large
KENTUCKY
My Commission Expires 10-13-2021

4. BID SCHEDULE – SCHEDULE OF VALUES

The Bidder agrees to perform all the Work described in the Specifications and shown on the Plans for the following proposed lump sum and/or unit prices, if applicable, which shall include the furnishing of all labor, materials, supplies, equipment and/or vehicle usage, services, all items of cost, overhead, taxes (federal, state, local), and profit for the Contractor and any Subcontractor involved, within the time set forth herein. If unit prices are applicable, Bidder must make the extensions and additions showing the total amount of bid.

Form of proposal must include bid prices written in words and in numbers OR bid may be considered non-responsive. In case of price discrepancy, unit bid price written in words will prevail followed by unit price written in numbers.

If the unit price and the item total are illegible or are omitted, the bid may be determined nonresponsive. If a lump sum total price is illegible or is omitted, the bid may be determined nonresponsive.

For a lump sum based bid, the item total is the bid amount the Division uses for bid comparison.

The LFUCG’s decision on the bid amount is final.

The contract, if awarded, will be on the basis of materials and equipment specified in the Specifications without consideration of possible substitute or “or equal” items.

TOTAL LUMP SUM BID PRICE FOR THE **RIVIERA ROAD CULVERT REPLACEMENT** Project, Bid No. 140-2018, in words and figures. In case of discrepancy, the amount shown in words will govern.

Two Hundred Seventy Thousand

_____ Dollars
 Zero _____ Cents (\$ 270,000.00)

In the event of additional quantities authorize by the ENGINEER OR OWNER, the CONTRACTOR shall provide unit prices for the following items (Items 1-6).

Item No.	Description w/Unit Bid Price Written in Words	Unit	Unit Price
1.	Traffic Maintenance and Control <u>Twenty Five Thousand</u> _____ Dollars <u>Zero</u> _____ Cents (per Lump Sum)	L.S.	\$ 25,000.00
2.	Mobilization/Demobilization <u>Sixteen Thousand</u> _____ Dollars <u>Zero</u> _____ Cents (per Lump Sum)	L.S.	\$ 16,000.00
3.	Construction Staking <u>Fifteen Thousand</u> _____ Dollars <u>Zero</u> _____ Cents (per Lump Sum)	L.S.	\$ 15,000.00
4.	KYTC No. 2 Stone <u>Thirty</u> _____ Dollars <u>Zero</u> _____ Cents (per Ton)	Ton	\$ 30.00
5.	KYTC No. 9 Stone <u>Forty</u> _____ Dollars _____ Cents (per Ton)	Ton	\$ 40.00

Item No.	Description w/Unit Bid Price Written in Words	Unit	Unit Price
6.	Erosion and Sediment Prevention and Control Six Thousand _____ Dollars _____ Zero _____ Cents (per Lump Sum)	L.S.	\$ 6,000.00
7.	Clearing and Grubbing, Including Off-Site Disposal of Brush for _____ Seventeen Thousand _____ Dollars Zero _____ Cents (per Lump Sum)	L.S.	17,000.00
8.	Removal and Disposal of Existing Piping, Structures, Excess Excavated Soils, and Any Deleterious Materials, Complete Twenty Five Thousand _____ Dollars Zero _____ Cents (per Lump Sum)	L.S.	25,000.00
9.	New KDOH Curb Box Inlet, Type B, in Sag Condition with a 10-Foot Throat, Furnishing, Excavation, Bedding, Laying and Backfilling, Complete, for _____ Four Thousand _____ Dollars _____ Zero _____ Cents (per Each)	Each	4,000.00
10.	New 15-Inch RCP, Furnishing, Trenching, Bedding, Laying, and Backfilling, Unclassified Excavation, Complete, for Two Hundred _____ Dollars Zero _____ Cents (per Linear Foot)	L.F.	200.00
11.	New 8-Foot Wide x 3-Foot Deep Precast Box Culvert, Furnishing, Trenching, Bedding, Laying and Backfilling, Unclassified Excavation, Complete, for One Thousand Two Hundred _____ Dollars Zero _____ Cents (per Linear Foot)	L.F.	1,200.00
12.	New Precast Wing Wall, Headwall, Footing, and Toe Wall for Box Culvert, Furnishing, Bedding, Laying and Backfilling, Unclassified Excavation, Including Handrail Above Structure, Complete System, for Eleven Thousand One Hundred _____ Dollars Zero _____ Cents (per Each)	Each	11,100.00
13.	Flexamat Mat Reinforcement, Furnishing, Bedding, Laying, Anchoring System per Manufacturer's Recommendation, Including 10 Ounce Nonwoven Backing in the Channel, Anchor Trench and Concrete, for a complete Functioning System for Seven _____ Dollars Zero _____ Cents (per Square Foot)	S.F.	7.00
14.	Concrete Sidewalk Repair, Match Existing Width, for Three Hundred _____ Dollars Zero _____ Cents (per Square Yard)	S.Y.	300.00
15.	Full Width Asphalt Repaving of Riviera Road, Milling (1-Inch), Trench Cap, Surface Layer (1-1/2 Inch), Complete, per Detail for _____ One Hundred Ninety Five _____ Dollars Zero _____ Cents (per Linear Foot)	L.F.	195.00

Item No.	Description w/Unit Bid Price Written in Words	Unit	Unit Price
16.	Tensar Grid GG8512TF for Above the Box Culvert Inside the Roadway, per Detail, Installed per Manufacturer's Recommendation, for Forty _____ Dollars Zero _____ Cents (per Square Yard)	S.Y.	40.00
17.	New Type 4 Curb and Gutter, Including Transition Zone to Existing Curb and Gutter (Removal and Disposal of Existing Curb and Gutter), for Sixty-Five _____ Dollars Zero _____ Cents (per Linear Foot)	L.F.	65.00
18.	Asphalt Apron and Driveway Repair, to Match Existing Condition, for One Hundred Five Zero _____ Cents (per Square Yard)	S.Y.	105.00
19.	Search and Extra Depth Excavation, Only on Order of the Engineer, for Fifty _____ Dollars Zero _____ Cents (per Cubic Yard)	C.Y.	50.00
20.	Sodding of Disturbed Area, for Ten _____ Dollars Zero _____ Cents (per Square Yard)	S.Y.	10.00

The ENGINEER'S Estimated Quantities shown in the Construction Plans are to be considered approximate. It is the CONTRACTOR'S responsibility to verify and determine quantities and unit costs that reflect the Total Lump Sum Cost for the entire project. Once the bid is submitted, the CONTRACTOR will not be permitted to alter the unit prices identified in the Bid Schedule.

Submitted by:

C3 Construction LLC

Firm

1315 West Main Street

Address

Lexington, Ky. 40508

City, State & Zip

***Bid must be signed:
(original signature)***

Signature of Authorized Company Representative – Title

J. Patrick McGee

Representative/s Name (Typed or Printed)

(859) 386-6976

Area Code – Phone – Extension

(859) 389-6986

Fax #

pmcgee@churchillmcgee.com

E-Mail Address

OFFICIAL ADDRESS:

1315 West Main Street

Lexington Ky. 40508

(Seal if Bid is by Corporation)

By signing this form you agree to ALL terms, conditions, and associated forms in this bid package

5. STATEMENT OF BIDDER'S QUALIFICATIONS

The following statement of the Bidder's qualifications is required to be filled in, executed, and submitted with the Proposal:

- 1. Name of Bidder: C3 Construction LLC
- 2. Permanent Place of Business: 1315 West Main Street Lexington Ky. 40508
- 3. When Organized: 2015
- 4. Where Incorporated: Ky.
- 5. Construction Plant and Equipment Available for this Project:
SUBBIT, FRANKLIN, RSP
AND OTHER POWER HOSES

(Attach Separate Sheet If Necessary)

- 6. Financial Condition:
If specifically requested by the OWNER, the apparent low Bidder is required to submit its latest three (3) years audited financial statements to the OWNER'S Division of Central Purchasing within seven (7) calendar days following the bid opening.
- 7. In the event the Contract is awarded to the undersigned, surety bonds will be furnished by:
Old Republic Insurance Company (Surety)
Signed: Melissa Preepst (Representative of Surety)
- 8. The following is a list of similar projects performed by the Bidder: (Attach separate sheet if necessary).

<u>NAME</u>	<u>LOCATION</u>	<u>CONTRACT SUM</u>
Ky. Railway Museum	New Haven Ky.	1,231,000
West Market Street Scape	Louisville, Ky.	825,000

9. The Bidder has now under contract and bonded the following projects:

<u>NAME</u>	<u>LOCATION</u>	<u>CONTRACT SUM</u>
Hill St. Reconstruction	Louisville Ky.	822,357.00

10. List Key Bidder Personnel who will work on this Project.

<u>NAME</u>	<u>POSITION DESCRIPTION</u>	<u>NO. OF YEARS WITH BIDDER</u>
David Faulkner	Estimator	3
Jorge Rivera	Project Manager	3
Donald Watkins	Superintendent	3

11. DBE Participation on current bonded projects under contract:

<u>SUBCONTRACTORS</u> <u>(LIST)</u>	<u>PROJECT</u> <u>(SPECIFIC TYPE)</u>	<u>DBE</u>	<u>% of WORK</u>
Messier Trucking	Road and Street	Yes	4%
American Ready Mix	Road and Street	Yes	10%
A and A sawing	Road and Street	Yes	1%

(USE ADDITIONAL SHEETS IF NECESSARY)

12. We acknowledge that, if we are the apparent low Bidder, we may be required to submit to the OWNER within 7 calendar days following the Bid Opening, a sworn statement regarding all current work on hand and under contract, and a statement on the OWNER'S form of the experience of our officers, office management and field management personnel. Additionally, if requested by the OWNER, we will within 7 days following the request submit audited financial statements and loss history for insurance claims for the 3 most recent years (or a lesser period stipulated by the OWNER).

6. LIST OF PROPOSED SUBCONTRACTORS

The following list of proposed subcontractors is required by the OWNER to be executed, completed and submitted with the BIDDER'S FORM OF PROPOSAL. All subcontractors are subject to approval of the Lexington-Fayette Urban County Government. Failure to submit this list completely filled out may be cause for rejection of bid.

<u>BRANCH OF WORK - LIST EACH MAJOR ITEM</u> Such as: Grading, bituminous paving, concrete, seeding and protection, construction staking, etc.	<u>SUBCONTRACTOR</u>	<u>DBE</u> <u>Yes/No</u>	% of Work
1. <u>Asphalt</u>	Name: <u>Randle- Davies</u> Address: <u>1 Mill Creek Park Frankfort</u>	<u>No</u>	<u>10</u>
2. <u>Seeding and Material Supplier</u>	Name: <u>Cedar Valley Seeding</u> Address: <u>851 Redmon Road 40361</u>	<u>Yes</u>	<u>18</u>
3. _____	Name: _____ Address: _____	_____	_____
4. _____	Name: _____ Address: _____	_____	_____
5. _____	Name: _____ Address: _____	_____	_____
6. _____	Name: _____ Address: _____	_____	_____
7. _____	Name: _____ Address: _____	_____	_____

(Attach additional sheet(s) if necessary.)

**7. Lexington-Fayette Urban County Government
MWDBE PARTICIPATION GOALS**

A. GENERAL

- 1) The LFUCG request all potential contractors to make a concerted effort to include Minority-Owned (MBE), Woman-Owned (WBE), Disadvantaged (DBE) Business Enterprises and Veteran-Owned Small Businesses (VOSB) as subcontractors or suppliers in their bids.
- 2) Toward that end, the LFUCG has established 10% of total procurement costs as a Goal for participation of Minority-Owned, Woman-Owned and Disadvantaged Businesses on this contract.
- 3) **It is therefore a request of each Bidder to include in its bid, the same goal (10%) for MWDBE participation and other requirements as outlined in this section.**
- 4) The LFUCG has also established a 3% of total procurement costs as a Goal for participation for of Veteran-Owned Businesses.
- 5) **It is therefore a request of each Bidder to include in its bid, the same goal (3%) for Veteran-Owned participation and other requirements as outlined in this section.**

B. PROCEDURES

- 1) The successful bidder will be required to report to the LFUCG, the dollar amounts of all payments submitted to Minority-Owned, Woman-Owned or Veteran-Owned subcontractors and suppliers for work done or materials purchased for this contract. (See Subcontractor Monthly Payment Report)
- 2) Replacement of a Minority-Owned, Woman-Owned or Veteran-Owned subcontractor or supplier listed in the original submittal must be requested in writing and must be accompanied by documentation of Good Faith Efforts to replace the subcontractor / supplier with another MWDBE Firm; this is subject to approval by the LFUCG. (See LFUCG MWDBE Substitution Form)
- 3) For assistance in identifying qualified, certified businesses to solicit for potential contracting opportunities, bidders may contact:
 - a) The Lexington-Fayette Urban County Government, Division of Central Purchasing (859-258-3320)
- 4) The LFUCG will make every effort to notify interested MWDBE and Veteran-Owned subcontractors and suppliers of each Bid Package, including information on the scope of work, the pre-bid meeting time and location, the bid date, and all other pertinent information regarding the project.

C. DEFINITIONS

- 1) A Minority-Owned Business Enterprise (MBE) is defined as a business which is certified as being at least 51% owned, managed and controlled by persons of African American, Hispanic, Asian, Pacific Islander, American Indian or Alaskan Native Heritage.
- 2) A Woman-Owned Business Enterprise (WBE) is defined as a business which is certified as being at least 51% owned, managed and controlled by one or more women.

- 3) A Disadvantaged Business (DBE) is defined as a business which is certified as being at least 51% owned, managed and controlled by a person(s) that are economically and socially disadvantaged.
- 4) A Veteran-Owned Small Business (VOSB) is defined as a business which is certified as being at least 51% owned, managed and controlled by a veteran and/or a service disabled veteran.
- 5) Good Faith Efforts are efforts that, given all relevant circumstances, a bidder or proposer actively and aggressively seeking to meet the goals, can reasonably be expected to make. In evaluating good faith efforts made toward achieving the goals, whether the bidder or proposer has performed the efforts outlined in the Obligations of Bidder for Good Faith Efforts outlined in this document will be considered, along with any other relevant factors.

D. OBLIGATION OF BIDDER FOR GOOD FAITH EFFORTS

- 1) **The bidder shall make a Good Faith Effort to achieve the Participation Goal for MWDBE and Veteran-Owned subcontractors/suppliers. The failure to meet the goal shall not necessarily be cause for disqualification of the bidder; however, bidders not meeting the goal are required to furnish with their bids written documentation of their Good Faith Efforts to do so.**
- 2) Award of Contract shall be conditioned upon satisfaction of the requirements set forth herein.
- 3) The Form of Proposal includes a section entitled "MWDBE Participation Form". The applicable information must be completed and submitted as outlined below.
- 4) **Failure to submit this information as requested may be cause for rejection of bid or delay in contract award.**

E. DOCUMENTATION REQUIRED FOR GOOD FAITH EFFORTS

- 1) Bidders reaching the Goal are required to submit only the MWDBE Participation Form." The form must be fully completed including names and telephone number of participating MWDBE firm(s); type of work to be performed; estimated value of the contract and value expressed as a percentage of the total Lump Sum Bid Price. The form must be signed and dated, and is to be submitted with the bid.
- 2) Bidders not reaching the Goal must submit the "MWDBE Participation Form", the "Quote Summary Form" and a written statement documenting their Good Faith Effort to do so. If bid includes no MWDBE and/or Veteran participation, bidder shall enter "None" on the subcontractor / supplier form). In addition, the bidder must submit written proof of their Good Faith Efforts to meet the Participation Goal:
 - a. Advertised opportunities to participate in the contract in at least two (2) publications of general circulation media; trade and professional association publications; small and minority business or trade publications; and publications or trades targeting minority, women and disadvantaged businesses not less than fifteen (15) days prior to the deadline for submission of bids to allow MWDBE firms and Veteran-Owned businesses to participate.

- b. Included documentation of advertising in the above publications with the bidders good faith efforts package
- c. Attended LFUCG Central Purchasing Economic Inclusion Outreach event
- d. Attended pre-bid meetings that were scheduled by LFUCG to inform MWDBEs and/or Veteran-Owned businesses of subcontracting opportunities
- e. Sponsored Economic Inclusion event to provide networking opportunities for prime contractors and MWDBE firms and Veteran-Owned businesses.
- f. Requested a list of MWDBE and/or Veteran subcontractors or suppliers from LFUCG and showed evidence of contacting the companies on the list(s).
- g. Contacted organizations that work with MWDBE companies for assistance in finding certified MWDBE firms and Veteran-Owned businesses to work on this project. Those contacted and their responses should be a part of the bidder's good faith efforts documentation.
- h. Sent written notices, by certified mail, email or facsimile, to qualified, certified MWDBEs and/or Veteran-Owned businesses soliciting their participation in the contract not less than seven (7) days prior to the deadline for submission of bids to allow them to participate effectively.
- i. Followed up initial solicitations by contacting MWDBEs and Veteran-Owned Businesses to determine their level of interest.
- j. Provided the interested MWDBE firm and/or Veteran-Owned business with adequate and timely information about the plans, specifications, and requirements of the contract.
- k. Selected portions of the work to be performed by MWDBE firms and/or Veteran-Owned businesses in order to increase the likelihood of meeting the contract goals. This includes, where appropriate, breaking out contract work items into economically feasible units to facilitate MWDBE and Veteran participation, even when the prime contractor may otherwise perform these work items with its own workforce
- l. Negotiated in good faith with interested MWDBE firms and Veteran-Owned businesses not rejecting them as unqualified without sound reasons based on a thorough investigation of their capabilities. Any rejection should be so noted in writing with a description as to why an agreement could not be reached.
- m. Included documentation of quotations received from interested MWDBE firms and Veteran-Owned businesses which were not used due to uncompetitive pricing or were rejected as unacceptable and/or copies of responses from firms indicating that they would not be submitting a bid.
- n. Bidder has to submit sound reasons why the quotations were considered unacceptable. The fact that the bidder has the ability and/or desire to perform the contract work with its own forces will not be considered a sound reason for rejecting a MWDBE and/or Veteran-

Owned business's quote. Nothing in this provision shall be construed to require the bidder to accept unreasonable quotes in order to satisfy MWDBE and Veteran goals.

o. Made an effort to offer assistance to or refer interested MWDBE firms and Veteran-Owned businesses to obtain the necessary equipment, supplies, materials, insurance and/or bonding to satisfy the work requirements of the bid proposal

p. Made efforts to expand the search for MWBE firms and Veteran-Owned businesses beyond the usual geographic boundaries.

q. Other--any other evidence that the bidder submits which may show that the bidder has made reasonable good faith efforts to include MWDBE and Veteran participation.

Note: Failure to submit any of the documentation requested in this section may be cause for rejection of bid. Bidders may include any other documentation deemed relevant to this requirement which is subject to review by the MBE Liaison. Documentation of Good Faith Efforts must be submitted with the Bid, if the participation Goal is not met.



MINORITY BUSINESS ENTERPRISE PROGRAM

Sherita Miller, MPA
Minority Business Enterprise Liaison
Division of Central Purchasing
Lexington-Fayette Urban County Government
200 East Main Street
Lexington, KY 40507
smiller@lexingtonky.gov
859-258-3323

OUR MISSION: The mission of the Minority Business Enterprise Program is to facilitate the full participation of minority and women owned businesses in the procurement process and to promote economic inclusion as a business imperative essential to the long term economic viability of Lexington-Fayette Urban County Government.

To that end the city council adopted and implemented Resolution 484-2017 – A Certified Minority, Women and Disadvantaged Business Enterprise ten percent (10%) minimum goal and a three (3%) minimum goal for Certified Veteran-Owned Small Businesses and Certified Service Disabled Veteran – Owned Businesses for government contracts.

The resolution states the following definitions shall be used for the purposes of reaching these goals (a full copy is available in Central Purchasing):

***Certified Disadvantaged Business Enterprise (DBE)** – a business in which at least fifty-one percent (51%) is owned, managed and controlled by a person(s) who is socially and economically disadvantaged as define by 49 CFR subpart 26.*

***Certified Minority Business Enterprise (MBE)** – a business in which at least fifty-one percent (51%) is owned, managed and controlled by an ethnic minority (i.e. African American, Asian American/Pacific Islander, Hispanic Islander, Native American/Native Alaskan Indian) as defined in federal law or regulation as it may be amended from time-to-time.*

***Certified Women Business Enterprise (WBE)** – a business in which at least fifty-one percent (51%) is owned, managed and controlled by a woman.*

***Certified Veteran-Owned Small Business (VOSB)** – a business in which at least fifty-one percent (51%) is owned, managed and controlled by a veteran who served on active duty with the U.S. Army, Air Force, Navy, Marines or Coast Guard.*

***Certified Service Disabled Veteran Owned Small Business (SDVOSB)** – a business in which at least fifty-one percent (51%) is owned, managed and controlled by a disabled veteran who served on active duty with the U.S. Army, Air Force, Navy, Marines or Coast Guard.*

The term “Certified” shall mean the business is appropriately certified, licensed, verified, or validated by an organization or entity recognized by the Division of Purchasing as having the appropriate credentials to make a determination as to the status of the business.

We have compiled the list below to help you locate certified MBE, WBE and DBE certified businesses. Below is a listing of contacts for LFUCG Certified MWDBEs and Veteran-Owned Small Businesses in (<https://lexingtonky.ionwave.net>)

Business	Contact	Email Address	Phone
LFUCG	Sherita Miller	smiller@lexingtonky.gov	859-258-3323
Commerce Lexington – Minority Business Development	Tyrone Tyra	ttyra@commercelexington.com	859-226-1625
Tri-State Minority Supplier Diversity Council	Susan Marston	smarston@tsmsdc.com	502-365-9762
Small Business Development Council	Shawn Rogers UK SBDC	shawn.rogers@uky.edu	859-257-7666
Community Ventures Corporation	Phyllis Alcorn	palcorn@cvky.org	859-231-0054
KY Transportation Cabinet (KYTC)	Melvin Bynes	Melvin.bynes2@ky.gov	502-564-3601
KYTC Pre-Qualification	Sheila Eagle	Sheila.Eagle@ky.gov	502-782-4815
Ohio River Valley Women’s Business Council (WBENC)	Sheila Mixon	smixon@orvwbc.org	513-487-6537
Kentucky MWBE Certification Program	Yvette Smith, Kentucky Finance Cabinet	Yvette.Smith@ky.gov	502-564-8099
National Women Business Owner’s Council (NWBOC)	Janet Harris-Lange	janet@nwbooc.org	800-675-5066
Small Business Administration	Robert Coffey	robertcoffey@sba.gov	502-582-5971
LaVoz de Kentucky	Andres Cruz	lavozdekv@yahoo.com	859-621-2106
The Key News Journal	Patrice Muhammad	production@keynewsjournal.com	859-685-8488



LFUCG MWDBE PARTICIPATION FORM

Bid/RFP/Quote Reference # 140-2018

The MWDBE and/or veteran subcontractors listed have agreed to participate on this Bid/RFP/Quote. If any substitution is made or the total value of the work is changed prior to or after the job is in progress, it is understood that those substitutions must be submitted to Central Purchasing for approval immediately. **Failure to submit a completed form may cause rejection of the bid.**

MWDBE Company, Name, Address, Phone, Email	MBE WBE or DBE	Work to be Performed	Total Dollar Value of the Work	% Value of Total Contract
1. Cedar Valley Seeding	DBE	Supplier and Seeding Contractor	52,000	18
2.				
3.				
4.				

The undersigned company representative submits the above list of MWDBE firms to be used in accomplishing the work contained in this Bid/RFP/Quote. Any misrepresentation may result in the termination of the contract and/or be subject to applicable Federal and State laws concerning false statements and false claims.

C3 Construction LLC

Company

11/1/2018

Date

J. Patrick McGee

Company Representative

Owner

Title



LFUCG MWDBE SUBSTITUTION FORM

Bid/RFP/Quote Reference # 140-2018

The substituted MWDBE and/or veteran subcontractors listed below have agreed to participate on this Bid/RFP/Quote. These substitutions were made prior to or after the job was in progress. These substitutions were made for reasons stated below and are now being submitted to Central Purchasing for approval. By the authorized signature of a representative of our company, we understand that this information will be entered into our file for this project.

SUBSTITUTED MWDBE Company Name, Address, Phone, Email	MWDBE Formally Contracted/ Name, Address, Phone, Email	Work to Be Performed	Reason for the Substitution	Total Dollar Value of the Work	% Value of Total Contract
1.					
2.					
3.					
4.					

The undersigned acknowledges that any misrepresentation may result in termination of the contract and/or be subject to applicable Federal and State laws concerning false statements and false claims.

C3 Construction LLC
 Company
11/1/2018
 Date

J. Patrick McGee
 Company Representative
Owner
 Title



MWDBE QUOTE SUMMARY FORM
 Bid/RFP/Quote Reference # 140-2018

The undersigned acknowledges that the minority and/or veteran subcontractors listed on this form did submit a quote to participate on this project. Failure to submit this form may cause rejection of the bid.

Company Name C3 Construction LLC	Contact Person J. Patrick McGee
Address/Phone/Email 1315 West Main Street Lex. 40508 pmcgee@churchillmcgee.com	Bid Package / Bid Date 140-2018 11/6/2018

MWDBE Company Address	Contact Person	Contact Information (work phone, Email, cell)	Date Contacted	Services to be performed	Method of Communication (email, phone meeting, ad, event etc)	Total dollars \$\$ Do Not Leave Blank (Attach Documentation)	MBE * AA HA AS NA Female	Veteran
Cedar Valley Seeding	Susan Redmon	(859) 987-1497	11/5	Material Supplier Seeding / Sodding		52,000	Female	

(MBE designation / AA=African American / HA= Hispanic American/AS = Asian American/Pacific Islander/ NA= Native American)

The undersigned acknowledges that all information is accurate. Any misrepresentation may result in termination of the contract and/or be subject to applicable Federal and State laws concerning false statements and claims.

C3 Construction LLC
 Company
11/1/2018
 Date

J. Patrick McGee
 Company Representative
Owner
 Title



LFUCG SUBCONTRACTOR MONTHLY PAYMENT REPORT

The LFUCG has a 10% goal plan adopted by city council to increase the participation of minority and women owned businesses in the procurement process. The LFUCG also has a 3% goal plan adopted by cited council to increase the participation of veteran owned businesses in the procurement process. In order to measure that goal LFUCG will track spending with MWDBE and Veteran contractors on a monthly basis. By the signature below of an authorized company representative, you certify that the information is correct, and that each of the representations set forth below is true. Any misrepresentation may result in termination of the contract and/or prosecution under applicable Federal and State laws concerning false statements and false claims. Please submit this form monthly to the Division of Central Purchasing/ 200 East Main Street / Room 338 / Lexington, KY 40507.

Bid/RFP/Quote # 140-2018

Total Contract Amount Awarded to Prime Contractor for this Project _____

Project Name/ Contract #	Work Period/ From: _____ To: _____
Company Name:	Address:
Federal Tax ID:	Contact Person:

Subcontractor Vendor ID (name, address, phone, email)	Description of Work	Total Subcontract Amount	% of Total Contract Awarded to Prime for this Project	Total Amount Paid for this Period	Purchase Order number for subcontractor work (please attach PO)	Scheduled Project Start Date	Scheduled Project End Date

By the signature below of an authorized company representative, you certify that the information is correct, and that each of the representations set forth below is true. Any misrepresentations may result in the termination of the contract and/or prosecution under applicable Federal and State laws concerning false statements and false claims.

C3 CONSTRUCTION
Company

J. PATRICK Mc GEE
Company Representative

4/5/2018
Date

OWNER
Title

LFUCG STATEMENT OF GOOD FAITH EFFORTS
Bid/RFP/Quote # 140-2018

By the signature below of an authorized company representative, we certify that we have utilized the following Good Faith Efforts to obtain the maximum participation by MWDBE and Veteran-Owned business enterprises on the project and can supply the appropriate documentation.

_____ Advertised opportunities to participate in the contract in at least two (2) publications of general circulation media; trade and professional association publications; small and minority business or trade publications; and publications or trades targeting minority, women and disadvantaged businesses not less than fifteen (15) days prior to the deadline for submission of bids to allow MWDBE firms and Veteran-Owned businesses to participate.

_____ Included documentation of advertising in the above publications with the bidders good faith efforts package

_____ Attended LFUCG Central Purchasing Economic Inclusion Outreach event

_____ Attended pre-bid meetings that were scheduled by LFUCG to inform MWDBEs and/or Veteran-Owned Businesses of subcontracting opportunities

_____ Sponsored Economic Inclusion event to provide networking opportunities for prime contractors and MWDBE firms and Veteran-Owned businesses

_____ Requested a list of MWDBE and/or Veteran subcontractors or suppliers from LFUCG and showed evidence of contacting the companies on the list(s).

_____ Contacted organizations that work with MWDBE companies for assistance in finding certified MWDBE firms and Veteran-Owned businesses to work on this project. Those contacted and their responses should be a part of the bidder's good faith efforts documentation.

_____ Sent written notices, by certified mail, email or facsimile, to qualified, certified MWDBEs soliciting their participation in the contract not less than seven (7) days prior to the deadline for submission of bids to allow them to participate effectively.

_____ Followed up initial solicitations by contacting MWDBEs and Veteran-Owned businesses to determine their level of interest.

_____ Provided the interested MWDBE firm and/or Veteran-Owned business with adequate and timely information about the plans, specifications, and requirements of the contract.

_____ Selected portions of the work to be performed by MWDBE firms and/or Veteran-Owned businesses in order to increase the likelihood of meeting the contract goals. This includes, where appropriate, breaking out contract work items into economically feasible units to facilitate MWDBE and Veteran participation,

even when the prime contractor may otherwise perform these work items with its own workforce

_____ Negotiated in good faith with interested MWDBE firms and Veteran-Owned businesses not rejecting them as unqualified without sound reasons based on a thorough investigation of their capabilities. Any rejection should be so noted in writing with a description as to why an agreement could not be reached.

_____ Included documentation of quotations received from interested MWDBE firms and Veteran-Owned businesses which were not used due to uncompetitive pricing or were rejected as unacceptable and/or copies of responses from firms indicating that they would not be submitting a bid.

_____ Bidder has to submit sound reasons why the quotations were considered unacceptable. The fact that the bidder has the ability and/or desire to perform the contract work with its own forces will not be considered a sound reason for rejecting a MWDBE and/or Veteran-Owned business's quote. Nothing in this provision shall be construed to require the bidder to accept unreasonable quotes in order to satisfy MWDBE and Veteran goals.

_____ Made an effort to offer assistance to or refer interested MWDBE firms and Veteran-Owned businesses to obtain the necessary equipment, supplies, materials, insurance and/or bonding to satisfy the work requirements of the bid proposal

_____ Made efforts to expand the search for MWBE firms and Veteran-Owned businesses beyond the usual geographic boundaries.

_____ Other—any other evidence that the bidder submits which may show that the bidder has made reasonable good faith efforts to include MWDBE and Veteran participation.


NOTE: Failure to submit any of the documentation requested in this section may be cause for rejection of bid. Bidders may include any other documentation deemed relevant to this requirement which is subject to approval by the MBE Liaison. Documentation of Good Faith Efforts must be submitted with the Bid, if the participation Goal is not met.

The undersigned acknowledges that all information is accurate. Any misrepresentations may result in termination of the contract and/or be subject to applicable Federal and State laws concerning false statements and claims.

C3 Construction LLC

Company
11/1/2018

Date



Company Representative
Owner

Title

8. AUTHENTICATION OF BID AND STATEMENT OF NON-COLLUSION, NON-CONFLICT OF INTEREST

I hereby swear (or affirm) under the penalty for false swearing:

1. That I am the Bidder (if the Bidder is an individual), a partner of the Bidder (if the Bidder is a partnership), or an officer or employee of the bidding corporation having authority to sign on its behalf (if the Bidder is a corporation);
2. That the attached bid has been arrived at by the Bidder independently, and has been submitted without collusion with, and without any agreement, understanding or planned common course of action, with any other contractor, vendor of materials, supplies, equipment or services described in the Invitation to Bid, designed to limit independent bidding or competition;
3. That the contents of the bid or bids have not been communicated by the Bidder or its employees or agents to any person not an employee or agent of the Bidder or its surety on any bond furnished, with the bid or bids, and will not be communicated to any such person, prior to the official opening of the bid or bids;
4. That the Bidder is legally entitled to enter into the contracts with the Lexington-Fayette Urban County Government, and is not in violation of any prohibited conflict of interest;
5. (Applicable to corporation only) That as a foreign corporation, we are registered with the Secretary of State, Commonwealth of Kentucky, and authorized to do business in the State _____ or, that as a domestic corporation, we are in good standing with the Secretary of State, Commonwealth of Kentucky X . Check the statement applicable.
6. This offer is for 60 calendar days from the date this bid is opened. In submitting the above, it is expressly agreed that, upon proper acceptance by the Lexington-Fayette Urban County Government of any or all items bid above, a contract shall thereby be created with respect to the items accepted.
7. That I have fully informed myself regarding the accuracy of the statements made in this statement.
8. That I certify that Subcontractors have not and will not be awarded to any firm(s) that have been debarred from noncompliance with the Federal Labor Standards, Title VI of the Civil Rights Act of 1964 As Amended, Executive Order 11246 As Amended or any other Federal Law.

9. STATEMENT OF EXPERIENCE

NAME OF INDIVIDUAL: David Faulkner

POSITION/TITLE: Estimator

STATEMENT OF EXPERIENCE: 35 Years in the heavy / Highway Industry

NAME OF INDIVIDUAL: Jorge Rivera

POSITION/TITLE: Project Manager

STATEMENT OF EXPERIENCE: 8 years as project manager for Churchill McGee

3 years experience with C3 Construction

NAME OF INDIVIDUAL: Donald Watkins

POSITION/TITLE: Superintendent

STATEMENT OF EXPERIENCE: 25 years in the heavy / highway industry

NAME OF INDIVIDUAL: J. Patrick McGee

POSITION/TITLE: Owner

STATEMENT OF EXPERIENCE: 14 years in the contracting business

NAME OF INDIVIDUAL: _____

POSITION/TITLE: _____

STATEMENT OF EXPERIENCE: _____

NAME OF INDIVIDUAL: _____

POSITION/TITLE: _____

STATEMENT OF EXPERIENCE: _____

* Include all officers, office management's, Affirmative Action officials, and field management personnel. (Attach separate sheets if necessary.)

10. EQUAL OPPORTUNITY AGREEMENT

Standard Title VI Assurance

The Lexington Fayette-Urban County Government, (hereinafter referred to as the "Recipient") hereby agrees that as a condition to receiving any Federal financial assistance from the U.S. Department of Transportation, it will comply with Title VI of the Civil Rights Act of 1964, 78Stat.252, 42 U.S.C. 2000d-4 (hereinafter referred to as the "Act"), and all requirements imposed by or pursuant to Title 49, Code of Federal Regulations, U.S. Department of Transportation, Subtitle A, Office of the Secretary, (49 CFR, Part 21) Nondiscrimination in Federally Assisted Program of the Department of Transportation – Effectuation of Title VI of the Civil Rights Act of 1964 (hereinafter referred to as the "Regulations") and other pertinent directives, no person in the United States shall, on the grounds of race, color, national origin, sex, age (over 40), religion, sexual orientation, gender identity, veteran status, or disability be excluded from participation in, be denied the benefits of, or be otherwise subjected to discrimination under any program or activity for which the Recipient receives Federal financial assistance from the U.S. Department of Transportation, including the Federal Highway Administration, and hereby gives assurance that will promptly take any necessary measures to effectuate this agreement. This assurance is required by subsection 21.7(a) (1) of the Regulations.

The Law

- * Title VII of the Civil Rights Act of 1964 (amended 1972) states that it is unlawful for an employer to discriminate in employment because of race, color, religion, sex, age (40-70 years) or national origin.
- * Executive Order No. 11246 on Nondiscrimination under Federal contract prohibits employment discrimination by contractor and subcontractor doing business with the Federal Government or recipients of Federal funds. This order was later amended by Executive Order No. 11375 to prohibit discrimination on the basis of sex.
- * Section 503 of the Rehabilitation Act of 1973 States:
The Contractor will not discriminate against any employee or applicant for employment because of physical or mental handicap.
- * Section 2012 of the Vietnam Era Veterans Readjustment Act of 1973 requires Affirmative Action on behalf of disabled veterans and veterans of the Vietnam Era by contractors having Federal Contracts.
- * Section 206 (A) of Executive Order 12086, Consolidation of Contract Compliance Functions for Equal Employment Opportunity, states:
The Secretary of Labor may investigate the employment practices of any Government contractor or sub-contractor to determine whether or not the contractual provisions specified in Section 202 of this order have been violated.

The Lexington-Fayette Urban County Government practices Equal Opportunity in recruiting, hiring and promoting. It is the Government's intent to affirmatively provide employment opportunities for those individuals who have previously not been allowed to enter into the mainstream of society. Because of its importance to the local Government, this policy carries the full endorsement of the Mayor, Commissioners, Directors, and all supervisory personnel. In following this commitment to Equal Employment Opportunity and because the Government is

the benefactor of the Federal funds, it is both against the Urban County Government policy and illegal for the Government to let contracts to companies which knowingly or unknowingly practice discrimination in their employment practices. Violation of the above mentioned ordinances may cause a contract to be canceled and the contractor may be declared ineligible for future consideration.

Please sign this statement in the appropriate space acknowledging that you have read and understand the provisions contained herein. Return this document as part of your application packet.

Bidders

I/We agree to comply with the Civil Rights Laws listed above that govern employment rights of minorities, women, Vietnam veterans, handicapped, and aged persons.



Signature

C3 Construction LLC

Name of Business

The Entity (regardless of whether construction contractor, non-construction contractor or supplier) agrees to provide equal opportunity in employment for all qualified persons, to prohibit discrimination in employment because of race, color, creed, national origin, sex or age, and to promote equal employment through a positive, continuing program from itself and each of its sub-contracting agents. This program of equal employment opportunity shall apply to every aspect of its employment policies and practices.

The Kentucky equal Employment Opportunity Act of 1978 (KRS 45.560-45.640) requires that any count, city, town, school district, water district, hospital district, or other political subdivision of the state shall include in directly or indirectly publicly funded contracts for supplies, materials, services, or equipment hereinafter entered into the following provisions:

During the performance of this contract, the contractor agrees as follows:

- (1) *The contractor will not discriminate against any employee or applicant for employment because of race, color, religion, sex, age or national origin;*
- (2) *The contractor will state in all solicitations or advertisements for employees placed by or on behalf of the contractors that all qualified applicants will receive consideration for employment without regard to race, color, religion, sex, age or national origin;*
- (3) *The contract will post notices in conspicuous places, available to employees and applicants for employment, setting forth the provisions of the non-discrimination clauses required by this section; and*
- (4) *The contractor will send a notice to each labor union or representative of workers with which he has a collective bargaining agreement or other contract or understanding advising the labor union or workers' representative of the contractor's commitments under the nondiscrimination clauses.*

The Act further provides:

KRS 45.610. Hiring minorities – Information required

- (1) *For the length of the contract, each contractor shall hire minorities from other sources within the drawing area, should the union with which he has collective bargaining agreements be unwilling to supply sufficient minorities to satisfy the agreed upon goals and timetable.*
- (2) *Each contractor shall, for the length of the contract, furnish such information as required by KRS 45.560 to KRS 45.640 and by such rules, regulations and orders issued pursuant thereto and will permit access to all books and records pertaining to his employment practices and work sites by the contracting agency and the department for purposes of investigation to ascertain compliance with KRS 45.560 to 45.640 and such rules, regulations and orders issued pursuant thereto.*

KRS 45.620. Action against contractor – Hiring of minority contractor or subcontractor

- (1) *If any contractor is found by the department to have engaged in an unlawful practice under this chapter during the course of performing under a contract or subcontract covered under KRS 45.560 to 45.640, the department shall so certify to the contracting agency and such certification shall be binding upon the contracting agency unless it is reversed in the course of judicial review.*
- (2) *If the contractor is found to have committed an unlawful practice under KRS 45.560 to 45.640, the contracting agency may cancel or terminate the contract, conditioned upon a program for future compliance approved by the contracting agency and the department. The contracting agency may declare such a contractor ineligible to bid on further contracts with that agency until such time as the contractor complies in full with the requirements of KRS 45.560 – 45.640.*
- (3) *The equal employment provisions of KRS 45.560 to 45.640 may be met in part by a contractor by subcontracting to a minority contractor or subcontractor. For the provisions of KRS 45.560 to 45.640, a minority contractor or subcontractor shall mean a business that is owned and controlled by one or more persons disadvantaged by racial or ethnic circumstances.*

KRS 45.630 Termination of existing employee not required, when

Any provision of KRS 45.560 to 45.640 notwithstanding, no contractor shall be required to terminate an existing employee upon proof that that employee was employed prior to the date of the contract.

KRS 45.640 Minimum skills

Nothing in KRS 45.560 to 45.640 shall require a contractor to hire anyone who fails to demonstrate the minimum skills required to perform a particular job.

It is recommended that all of the provisions quoted above to be included as special conditions in each contract. In the case of a contract exceeding \$250,000, the contractor is required to furnish evidence that his work-force in Kentucky is representative of the available work-force in the area from which he draws employees, or to supply an Affirmative Action plan which will achieve such representation during the life of the contract.

11. **EQUAL EMPLOYMENT OPPORTUNITY AFFIRMATIVE ACTION POLICY**

It is the policy of C3 Construction LLC

to assure that all applicants for employment and all employees are treated on a fair and equitable basis without regard to their race, religion, sex, color, handicap, natural origin or age.

Such action shall include employment, promotion, demotion, recruitment or recruitment advertising, layoff or termination, rates of pay and other forms of compensation, and selection for training, whether apprenticeship and/or on-the-job-training.

Furthermore, this company agrees to make special recruitment efforts to hire the protected class whenever feasible. This company also agrees to adhere to all applicable federal, state, and local laws relating to Equal Employment Opportunity for all individuals.

12. WORKFORCE ANALYSIS FORM

Name of Organization: C3 Construction

Categories	Total	White (Not Hispanic or Latino)		Hispanic or Latino		Black or African-American (Not Hispanic or Latino)		Native Hawaiian and Other Pacific Islander (Not Hispanic or Latino)		Asian (Not Hispanic or Latino)		American Indian or Alaskan Native (not Hispanic or Latino)		Two or more races (Not Hispanic or Latino)		Total	
		M	F	M	F	M	F	M	F	M	F	M	F	M	F	M	F
Administrators	1	1														1	
Professionals																	
Superintendents	1	1														1	
Supervisors	1			1												1	
Foremen																	
Technicians																	
Protective Service																	
Para-Professionals																	
Office/Clerical																	
Skilled Craft	5		5													5	
Service/Maintenance																	
Total:	8	7	1	1	1											8	

Prepared by: Stephanie Sturgill CFO
(Name and Title)

Date: 11/21/18
Revised 2015-Dec-15

13. EVIDENCE OF INSURABILITY

LEXINGTON-FAYETTE URBAN COUNTY GOVERNMENT CONSTRUCTION PROJECT
(Use separate form for each Agency or Brokerage agreeing to provide coverage)

Names Insured: C3 Construction LLL Employee ID: 812887443
 Address: 1315 C West Main St, Lex KY Phone: 859-389-6976
 Project to be insured: Hill St. Reconstruction 40508

In lieu of obtaining certificates of insurance at this time, the undersigned agrees to provide the above Named Insured with the minimum coverage listed below. These are outlined in the Insurance and Risk Management of Part V (Special Conditions), including all requirements, and conditions:

Section Items	Coverage	Minimum Limits and Policy Requirements	Limits Provided To Insured	Name of Insurer	A.M. Best's Code	Rating
SC-3, Section 2, Part 4.1 - see provisions	CGI	\$1,000,000 per occ. And \$2,000,000 aggregate	\$2 mill Agg 1 mill occ	Hallmark Specialty	26808	A-
SC-3, Section 2, Part 4.1 - see provisions	AUTO	\$2,000,000/per occ.	\$1 mill CSL	Owners	00328	A++
SC-3, Section 2, Part 4.1 - see provisions	WC	Statutory w/endorsement as noted	\$4 mill	AGL	No Code	A-

Section 2 includes required provisions, statements regarding insurance requirements, and the undersigned agrees to abide by all provisions for the coverage's checked above unless stated otherwise when submitting.

Mann Sutton + McGee Ltd
 Agency or Brokerage
1353 Leesport Rd
 Street Address
Lexington, KY 40508
 City State Zip
859-225-3661
 Telephone Number

Johnny R. Hurley
 Name of Authorized Representative
Agent
 Title
JRHurley
 Authorized Signature
11-2-2018
 Date

NOTE: Authorized signatures may be the agent's if agent has placed insurance through an agency agreement with the insurer. If insurance is brokered, authorized signature must be that of authorized representative of insurer.

IMPORTANT: Contract may not be awarded if a completed and signed copy of this form for all coverage's listed above is not provided with the bid.

14. DEBARRED FIRMS

PROJECT NAME: Riviera Road Culvert Replacement

BID NUMBER: 140-2018

**LEXINGTON-FAYETTE URBAN COUNTY GOVERNMENT
LEXINGTON, KY**


All prime Contractors shall certify that Subcontractors have not and will not be awarded to any firms that has been debarred for noncompliance with the Federal Labor Standards, Title VI of the Civil Rights Act of 1964 As Amended, Executive Order 11246 As Amended or any other Federal Law.

All bidders shall complete the attached certification in duplicate and submit both copies to the Owner with the bid proposal. The Owner (grantee) shall transmit one copy to the Lexington-Fayette Urban County Government, Division of Community Development, within fourteen (14) days after bid opening.

The undersigned hereby certifies that the firm of C3 Construction LLC has not and will not award a subcontract, in connection with any contract award to it as the result of this bid, to any firm that has been debarred for noncompliance with the Federal labor Standards, Title VI of the civil Rights Act of 1964, Executive Order 11246 as amended or any Federal Law.

C3 Construction LLC

Name of Firm Submitting Bid


Signature of Authorized Official

Owner

Title

11/1/2018

Date

15. DEBARMENT CERTIFICATION

All contractors/subcontractors shall complete the following certification and submit it with the bid proposal.

The contractor/subcontractor certifies in accordance with Executive Order 12549 (Debarment and Suspension 2/18/86) that to the best of its knowledge and belief, that it and its principals:

- 1) Are not presently debarred, suspended, proposed for debarment, declared negligible, or voluntarily excluded from covered transactions or contract by any Federal department or agency for noncompliance with the Federal Labor Standards, Title VI of the Civil Rights Act of 1964 as amended, Executive Order 11246 as amended or any other Federal law;
 - a) Have not within a three year period preceding this proposal been convicted of or had a civil judgment rendered against them for commission of fraud or a criminal offense in connection with obtaining, attempting to obtain, or performing a public (Federal, State or local) transaction or contract under a public transaction; violation of Federal or State antitrust statutes or commission of embezzlement, theft, forgery, bribery, falsification or destruction of records, making false statements, or receiving stolen property;
 - b) Are not presently indicted for or otherwise criminally or civilly charged by a government entity (Federal, State or local) with commission of any of the offenses enumerated in paragraph (1)(a) of this certification; and
 - c) Have not within a three year period preceding this bid has one or more public (Federal, State or local) transactions or contracts terminated for cause or default.
- 2) Where the contractor is unable to certify to any of the statements in this certification, such prospective contractors shall attach an explanation to this certification form.

Firm Name: C3 Construction LLC

Project: 140-2018

Printed Name and Title of Authorized Representative: J. Patrick McGee

Signature:  _____

Date: 11/1/2018

END OF SECTION



ADDENDUM #1

Bid Number: **#140-2018**

Date: October 30, 2018

Subject: Riviera Road Culvert Replacement

Inquiries to:

Brian Marcum

brianm@lexingtonky.gov

(859) 258-3325

TO ALL PROSPECTIVE SUBMITTERS:

Please be advised of the following clarification to the above referenced Bid:

- .) Please confirm that a lane has to be open at all times. **Confirmed.**
- 2.) Can all R/W be used for detour and/or the 1 open lane? **1 Lane can be shut down at a time. Traffic should stay inside existing road.**
- 3.) Can detour and/or 1 open lane be final surfaced with DGA? **Yes. Temporary DGA surface will be allowed until asphalt.**
- 4.) What's the min width of detour/open lane? **10'-12'**
- 5.) How will time be handled with precast lead time and asphalt paving? **Contract time has been determined to allow sufficient time for precast lead time and asphalt paving.**
- 6.) Will 1 open lane be allowed during non-working hours? **Yes. Proper visibility should be provided for traffic after hours.**
- 7.) Will a single lane traffic signal be allowed? **Not necessary for this project.**
- 8.) Are there any ordinances that restrict working days and hours? **Working hours should be limited to daylight hours (7 am to 7 pm)**
- 9.) Is everything precast or can the wingwalls be poured in place? **Poured in place will be allowed.**
- 10.) The contract time is changed from 120 days to 150 days from notice to proceed.

ADDENDUM 1
CONTRACT 557-18-04
LEXINGTON-FAYETTE URBAN COUNTY GOVERNMENT
RIVIERA ROAD CULVERT REPLACEMENT

October 30, 2018

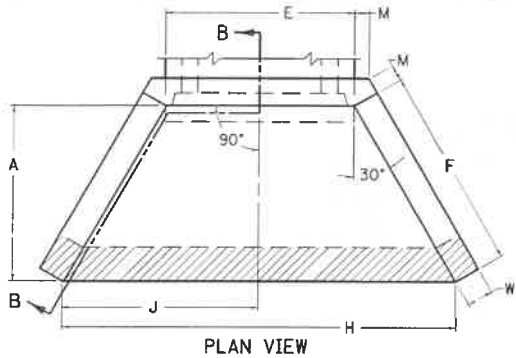
The attention of contractors bidding the titled contract is called to the following additions, substitutions, or deletions to the Drawings and /or Specifications.

A. DRAWINGS

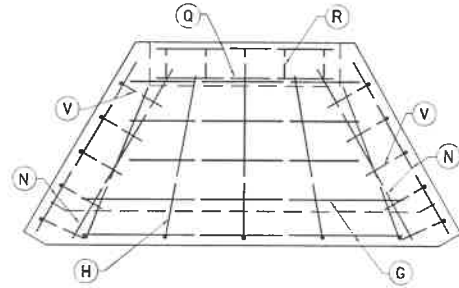
1. A concrete apron will be required at each headwall. The concrete shall extend out to the end of the wing walls from the invert, minimum of 6 feet. The concrete slab thickness shall be 8" minimum. Reinforcing within the apron shall follow KYTC standard drawings RDH-1000-02 apron slab reinforcing. If precast wing walls and footing are used, the apron reinforcing shall be drilled, embedded (minimum of 8 inches) and epoxied into the precast wing wall/footings.
2. Contractors can propose cast-in-place headwall structures in lieu of the designed precast headwall, wingwall, and toe wall components. The formed headwall shall follow the attached KYTC drawing RDH-1000-02 and all dimensions, quantities, and bill of reinforcement referenced in the drawing. Given that KYTC closest standard headwall box culvert size is an 8'wx4'h headwall, the contractor will be required to modify the reinforcing as needed and submit a shop drawing showing these modifications to the engineer with a stamp drawing from a licensed professional engineer.

By: 
Jonathan S. Rehner, E.I.T
Project Engineer

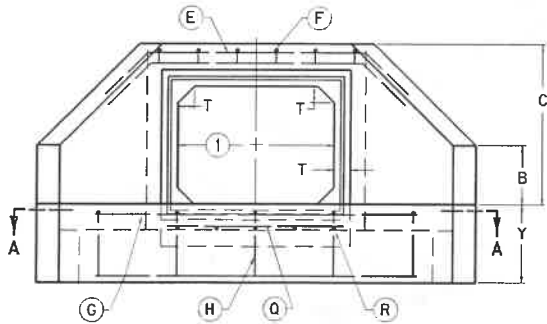
Attachment A: Kentucky Department of Highways Standard Drawing No. RDH-1000-02



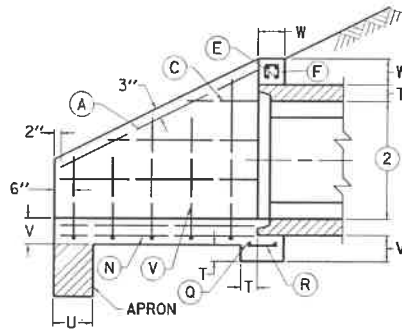
PLAN VIEW



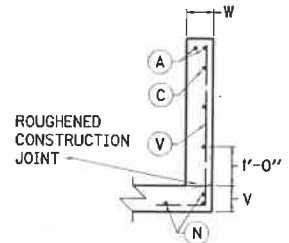
SECTION A-A



FRONT ELEVATION



SECTION B-B



WING SECTION

NOTES

- ① SPAN OF BOX CULVERT
- ② RISE OF BOX CULVERT
3. FOR DIMENSIONS, QUANTITIES, AND BILL OF REINFORCEMENT SEE CUR. STD. DWGS. RDH-1100, RDH-1200 AND RDH-1300 SERIES.
4. DIMENSIONS FROM FACE OF CONCRETE TO STEEL SHALL BE 2" CLEAR DISTANCE.
5. ENCIRCLED LETTERS, ○, INDICATE STEEL BAR LOCATIONS.
6. BARS ③, ④, AND ⑤ ARE SPACED 1'-0" O.C. ALL OTHER BARS SHALL BE EVENLY SPACED.
7. BARS ⑥ ARE PLACED IN ORDER OF INCREASING LENGTHS, BEGINNING AT THE END OF EACH WING.
8. BARS ⑦ ARE PLACED IN ORDER OF INCREASING LENGTHS, BEGINNING AT THE TOP OF EACH WING.
9. HEADWALLS LOCATED AT SHOULDER EDGE SHALL BE PARALLEL TO CENTERLINE OF ROAD.
10. [Hatched area symbol] LIMITS OF APRON.
11. PAVING SHALL BE REQUIRED AND SHALL BE SLOPED IN DIRECTION OF FLOW EQUAL TO SLOPE OF BOX. FRONT FACE OF HEADWALL AND ENDS OF WINGS SHALL REMAIN VERTICAL.

(LAYOUT AND STEEL PATTERN)

KENTUCKY
DEPARTMENT OF HIGHWAYS

PRECAST BOX CULVERT
HEADWALLS - 0° SKEW
(BOX RISE LESS THAN 6'-0")

STANDARD DRAWING NO. RDH-1000-02

SUBMITTED: *J. B. DeLoach* 12-1-99 DATE

APPROVED: *[Signature]* 12-1-99 DATE

 **AIA** Document A310™ – 2010

Bid Bond

CONTRACTOR:
(Name, legal status and address)
C3 Construction, LLC

1315-C West Main Street
Lexington, KY 40508

OWNER:
(Name, legal status and address)

Lexington-Fayette Urban County Government
200 E. Main St., 3rd Fl
Lexington, KY 40507

BOND AMOUNT: 5% of Amount Bid

SURETY:
(Name, legal status and principal place of business)

Old Republic Insurance Company
P.O. Box 789
Greensburg, PA 15601

This document has important legal consequences. Consultation with an attorney is encouraged with respect to its completion or modification.

Any singular reference to Contractor, Surety, Owner or other party shall be considered plural where applicable.


PROJECT:
(Name, location or address, and Project number, if any)
Riviera Road Culvert Replacement

The Contractor and Surety are bound to the Owner in the amount set forth above, for the payment of which the Contractor and Surety bind themselves, their heirs, executors, administrators, successors and assigns, jointly and severally, as provided herein. The conditions of this Bond are such that if the Owner accepts the bid of the Contractor within the time specified in the bid documents, or within such time period as may be agreed to by the Owner and Contractor, and the Contractor either (1) enters into a contract with the Owner in accordance with the terms of such bid, and gives such bond or bonds as may be specified in the bidding or Contract Documents, with a surety admitted in the jurisdiction of the Project and otherwise acceptable to the Owner, for the faithful performance of such Contract and for the prompt payment of labor and material furnished in the prosecution thereof; or (2) pays to the Owner the difference, not to exceed the amount of this Bond, between the amount specified in said bid and such larger amount for which the Owner may in good faith contract with another party to perform the work covered by said bid, then this obligation shall be null and void, otherwise to remain in full force and effect. The Surety hereby waives any notice of an agreement between the Owner and Contractor to extend the time in which the Owner may accept the bid. Waiver of notice by the Surety shall not apply to any extension exceeding sixty (60) days in the aggregate beyond the time for acceptance of bids specified in the bid documents, and the Owner and Contractor shall obtain the Surety's consent for an extension beyond sixty (60) days.

If this Bond is issued in connection with a subcontractor's bid to a Contractor, the term Contractor in this Bond shall be deemed to be Subcontractor and the term Owner shall be deemed to be Contractor.

When this Bond has been furnished to comply with a statutory or other legal requirement in the location of the Project, any provision in this Bond conflicting with said statutory or legal requirement shall be deemed deleted herefrom and provisions conforming to such statutory or other legal requirement shall be deemed incorporated herein. When so furnished, the intent is that this Bond shall be construed as a statutory bond and not as a common law bond.

Signed and sealed this **6th** day of **November** **2018**



(Witness)

C3 Construction, LLC
(Principal) _____ *(Seal)*
(Title)

Old Republic Insurance Company
(Surety) _____ *(Seal)*
Melissa Propst
(Title) **Melissa Propst, Attorney-in-Fact**

CAUTION: You should sign an original AIA Contract Document, on which this text appears in RED. An original assures that changes will not be obscured.



OLD REPUBLIC INSURANCE COMPANY

POWER OF ATTORNEY

KNOW ALL MEN BY THESE PRESENTS: That OLD REPUBLIC INSURANCE COMPANY, a Pennsylvania stock insurance corporation, does make, constitute and appoint:

STEVEN M. BAAS, MELISSA PROPST, BENJAMIN P. DYCUS, CHRISTOPHER J. WISEMAN, KENNETH ALBERT, LAKALA CARTER, OF BOWLING GREEN, KY

its true and lawful Attorney(s)-in-Fact, with full power and authority, not exceeding \$50,000,000, for and on behalf of the Company as surety, to execute and deliver and affix the seal of the Company thereto (if a seal is required), bonds, undertakings, recognizances or other written obligations in the nature thereof, (other than self-insurance workers compensation bonds guaranteeing payment of benefits, asbestos abatement contract bonds, waste management bonds, hazardous waste remediation bonds or black lung bonds), as follows:

ALL WRITTEN INSTRUMENTS IN AN AMOUNT NOT TO EXCEED FIFTY MILLION DOLLARS (\$50,000,000) FOR ANY SINGLE OBLIGATION

and to bind OLD REPUBLIC INSURANCE COMPANY thereby, and all of the acts of said Attorneys-in-Fact, pursuant to these presents, are ratified and confirmed. This document is not valid unless printed on colored background and is multi-colored. This appointment is made under and by authority of the board of directors at a meeting held on March 14, 2014. This Power of Attorney is signed and sealed by facsimile under and by the authority of the following resolutions adopted by the board of directors of the OLD REPUBLIC INSURANCE COMPANY on March 14, 2014.

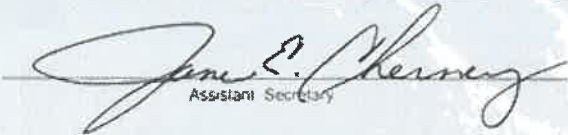
RESOLVED FURTHER, that the chairman, president or any vice president of the Company's surety division, in conjunction with the secretary or any assistant secretary of the Company, be and hereby are authorized and directed to execute and deliver, to such persons as such officers of the Company may deem appropriate, Powers of Attorney in the form presented to and attached to the minutes of this meeting, authorizing such persons to execute and deliver and affix the seal of the Company to bonds, undertakings, recognizances, and suretyship obligations of all kinds, other than bail bonds, bank depository bonds, mortgage deficiency bonds, mortgage guaranty bonds, guarantees of installment paper and note guaranty bonds. The said officers may revoke any Power of Attorney previously granted to any such person. The authority of any Power of Attorney granted by any such officer of the Company as aforesaid shall not exceed fifty million dollars (\$50,000,000.00), except (a) bonds required to be filed as open penalty bonds, and (b) bonds filed with any court or governmental authority requiring an unlimited penalty in bonds filed in that court.

RESOLVED FURTHER, that any bond, undertaking, recognizance, or suretyship obligation shall be valid and binding upon the Company (i) when signed by the chairman, president or any vice president of the Company's surety division and attested and sealed (if a seal be required) by any secretary or assistant secretary; or (ii) when signed by a duly authorized Attorney-in-Fact and sealed with the seal of the Company (if a seal be required).

RESOLVED FURTHER, that the signature of any officer designated above, and the seal of the Company, may be affixed by facsimile to any Power of Attorney or certification thereof authorizing the execution and delivery of any bond, undertaking, recognizance, or other suretyship obligations of the Company, and such signature and seal when so used shall have the same force and effect as though manually affixed.

IN WITNESS WHEREOF, OLD REPUBLIC INSURANCE COMPANY has caused these presents to be signed by its proper officer, and its corporate seal to be affixed this 26TH day of OCTOBER, 2018.

OLD REPUBLIC INSURANCE COMPANY


Assistant Secretary

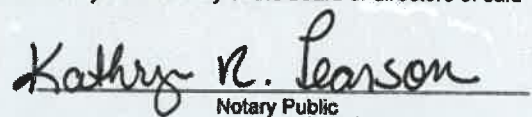



Vice President

STATE OF WISCONSIN, COUNTY OF WAUKESHA - SS

On this 26TH day of OCTOBER, 2018, personally came before me, ALAN PAVLIC and JANE E CHERNEY to me known to be the individuals and officers of the OLD REPUBLIC INSURANCE COMPANY who executed the above instrument, and they each acknowledged the execution of the same, and being by me duly sworn, did severally depose and say; that they are said officers of the corporation aforesaid, and that the seal affixed to the above instrument is the seal of the corporation, and that said corporate seal and their signatures as such officers were duly affixed and subscribed to the said instrument by the authority of the board of directors of said organization.




Notary Public
My commission expires: 9/28/22

(Expiration of notary commission does not invalidate this instrument)

CERTIFICATE

I, the undersigned, assistant secretary of the OLD REPUBLIC INSURANCE COMPANY, a Pennsylvania corporation, CERTIFY that the foregoing and attached Power of Attorney remains in full force and has not been revoked; and furthermore, that the Resolutions of the board of directors set forth in the Power of Attorney, are now in force.

72-1032



Signed and sealed at the City of Brookfield, WI this 16th day of November, 2018.


Assistant Secretary

VAN METER INSURANCE GROUP

THIS DOCUMENT HAS A COLORED BACKGROUND AND IS MULTICOLORED ON THE FACE. THE COMPANY LOGO APPEARS ON THE BACK OF THIS DOCUMENT AS A WATERMARK. IF THESE FEATURES ARE ABSENT, THIS DOCUMENT IS VOID.