



Lexington-Fayette Urban County Government

Lexington, Kentucky
Horse Capital of the World

Division of Central Purchasing

Date of Issue: March 27, 2017

INVITATION TO BID #49-2017 Forklift

Bid Opening Date: April 10, 2017

Bid Opening Time: 2:00 PM

Address: 200 East Main Street, 3rd Floor, Room 338, Lexington, Kentucky 40507

Type of Bid: Firm Bid

Pre Bid Meeting: N/A

Pre Bid Time: N/A

Address: N/A

Sealed bids will be received in the office of the Division of Central Purchasing, 200 East Main Street, Lexington, Kentucky, until **2:00 PM**, prevailing local time on **4/10/2017**. Bids must be received by the above-mentioned date and time. Mailed bids should be sent to:

Division of Central Purchasing
200 East Main Street, Room 338
Lexington, KY 40507, (859) 258-3320

The Lexington-Fayette Urban County Government assumes no responsibility for bids that are not addressed and delivered as indicated above. **Bids that are not delivered to the Division of Central Purchasing by the stated time and date will be rejected.** All bids must be signed and have the company name and address, bid invitation number, and the name of the bid on the outside of the envelope.

Bids are to include all shipping costs to the point of delivery located at: See Specification

Bid Security Required: ___ Yes No *Cashier Check, Certified Check, Bid Bond (Personal checks and company checks will not be acceptable).*

Performance Bond Required: ___ Yes No

___ Bid Specifications Met <input checked="" type="checkbox"/> Check One: Exceptions to Bid Specifications. <i>Exceptions shall be itemized and attached to bid proposal submitted.</i>	Proposed Delivery: <u>105</u> days after acceptance of bid.
Procurement Card Usage —The Lexington-Fayette Urban County Government may be using Procurement Cards to purchase goods and services and also to make payments. Will you accept Procurement Cards? <input checked="" type="checkbox"/> Yes ___ No	

Submitted by:

CLARK Material Handling Co.
Firm Name

700 Enterprise Drive
Address

LEXINGTON, KY 40510
City, State & Zip

Scott Johnson
Signature of Authorized Company Representative – Title

Scott Johnson
Representative's Name (Typed or printed)

859-422-6522
Area Code - Phone - Extension

Scott.Johnson@CLARKMHC.COM
E-Mail Address

859-422-6522
Area Code - Phone - Extension

859-422-6522
Area Code - Phone - Extension

859-422-6522
Area Code - Phone - Extension

859-422-6522
Area Code - Phone - Extension

Processing fee from card co. will be added.

Bid must be signed:
(original signature)

The Affidavit in this bid must be completed before your firm can be considered for award of this contract.

AFFIDAVIT

Comes the Affiant, Scott Johnson, and after being first duly sworn under penalty of perjury as follows:

1. His/her name is Laura Leve and he/she is the individual submitting the bid or is the authorized representative of CLARK Material Handling Company the entity submitting the bid (hereinafter referred to as "Bidder")
2. Bidder will pay all taxes and fees, which are owed to the Lexington-Fayette Urban County Government at the time the bid is submitted, prior to award of the contract and will maintain a "current" status in regard to those taxes and fees during the life of the contract.
3. Bidder will obtain a Lexington-Fayette Urban County Government business license, if applicable, prior to award of the contract.
4. Bidder has authorized the Division of Central Purchasing to verify the above-mentioned information with the Division of Revenue and to disclose to the Urban County Council that taxes and/or fees are delinquent or that a business license has not been obtained.
5. Bidder has not knowingly violated any provision of the campaign finance laws of the Commonwealth of Kentucky within the past five (5) years and the award of a contract to the Bidder will not violate any provision of the campaign finance laws of the Commonwealth.
6. Bidder has not knowingly violated any provision of Chapter 25 of the Lexington-Fayette Urban County Government Code of Ordinances, known as "Ethics Act."
7. Bidder acknowledges that "knowingly" for purposes of this Affidavit means, with respect to conduct or to circumstances described by a statute or ordinance defining an offense, that a person is aware or should have been aware that his conduct is of that nature or that the circumstance exists.

Further, Affiant sayeth naught.

Scott Johnson

STATE OF Kentucky
COUNTY OF Fayette

The foregoing instrument was subscribed, sworn to and acknowledged before me by Scott Johnson on this the 27th day of March, 2017.

My Commission expires: August 2, 2019

Karen S. Johnson
NOTARY PUBLIC, STATE AT LARGE
ID #538062

Please refer to Section II. Bid Conditions, Item "U" prior to completing this form.

I. GREEN PROCUREMENT

A. ENERGY

The Lexington-Fayette Urban County Government is committed to protecting our environment and being fiscally responsible to our citizens.

The Lexington-Fayette Urban County Government mandates the use of Energy Star compliant products if they are available in the marketplace (go to www.Energystar.gov). If these products are available, but not submitted in your pricing, your bid will be rejected as non-compliant.

ENERGY STAR is a government program that offers businesses and consumers energy-efficient solutions, making it easy to save money while protecting the environment for future generations.

Key Benefits

- These products use 25 to 50% less energy
- Reduced energy costs without compromising quality or performance
- Reduced air pollution because fewer fossil fuels are burned
- Significant return on investment
- Extended product life and decreased maintenance

B. GREEN SEAL CERTIFIED PRODUCTS

The Lexington-Fayette Urban County Government is also committed to using other environmentally friendly products that do not negatively impact our environment. Green Seal is a non-profit organization devoted to environmental standard setting, product certification, and public education.

Go to www.GreenSeal.org to find available certified products. These products will have a reduced impact on the environment and on human health. The products to be used must be pre-approved by the LFUCG prior to commencement of any work in any LFUCG facility. If a Green Seal product is not available, the LFUCG must provide a signed waiver to use an alternate product. Please provide information on the Green Seal products being used with your bid response.

C. GREEN COMMUNITY

The Lexington-Fayette Urban County Government (LFUCG) serves as a principal, along with the University of Kentucky and Fayette County Public Schools, in the Bluegrass Partnership for a Green Community. The Purchasing Team component of the Partnership collaborates on economy of scale purchasing that promotes and enhances environmental initiatives. Specifically, when applicable, each principal is interested in obtaining best value products and/or services which promote environment initiatives via solicitations and awards from the other principals.

If your company is the successful bidder on this Invitation For Bid, do you agree to extend the same product/service pricing to the other principals of the Bluegrass Partnership for a Green Community (i.e. University of Kentucky and Fayette County Schools) if requested?

Yes _____ No _____

II. Bid Conditions

- A. No bid may be withdrawn for a period of sixty (60) days after the date and time set for opening.
- B. No bid may be altered after the date and time set for opening. In the case of obvious errors, the Division of Central Purchasing may permit the withdrawal of a bid. The decision as to whether a bid may be withdrawn shall be that of the Division of Central Purchasing.
- C. Acceptance of this proposal shall be enactment of an Ordinance by the Urban County Council.
- D. The bidder agrees that the Urban County Government reserves the right to reject any and all bids for either fiscal or technical reasons, and to award each part of the bid separately or all parts to one vendor.
- E. Minor exceptions may not eliminate the bidder. The decision as to whether any exception is minor shall be entirely that of the head of the requisitioning Department or Division and the Director of the Division of Central Purchasing. The Urban County Government may waive technicalities and informalities where such waiver would best serve the interests of the Urban County Government.
- F. Manufacturer's catalogue numbers, trade names, etc., where shown herein are for descriptive purposes and are to guide the bidder in interpreting the standard of quality, design, and performance desired, and shall not be construed to exclude proposals based on furnishing other types of materials and/or services. However, any substitution or departure proposed by the bidder must be clearly noted and described; otherwise, it will be assumed that the bidder intends to supply items specifically mentioned in this Invitation for Bids.
- G. The Urban County Government may require demonstrations of the materials proposed herein prior to acceptance of this proposal.
- H. Bids must be submitted on this form and must be signed by the bidder or his authorized representative. Unsigned bids will not be considered.
- I. Bids must be submitted prior to the date and time indicated for opening. Bids submitted after this time will not be considered.
- J. All bids mailed must be marked on the face of the envelope:

 "Bid on #49-2017 Forklift"

 and addressed to: Division of Central Purchasing
 200 East Main Street, Room 338
 Lexington, Kentucky 40507

 The Lexington-Fayette Urban County Government assumes no responsibility for bids that are not addressed and delivered as indicated above. Bids that are not delivered to the Division of Central Purchasing by the stated time and date will be rejected.
- K. Bidder is requested to show both unit prices and lot prices. In the event of error, the unit price shall prevail.
- L. A certified check or Bid Bond in the amount of XX percent of the bid price must be attached hereto. This check must be made payable to the Lexington-Fayette Urban County Government, and will be returned when the material and/or services specified herein have been delivered in accordance with specifications. In the event of failure to perform within the time period set forth in this bid, it is agreed the certified check may be cashed and the funds retained by the Lexington-Fayette Urban County Government as liquidated damages. Checks of unsuccessful bidders will be returned when the bid has been awarded.
- M. The delivery dates specified by bidder may be a factor in the determination of the successful bidder.
- N. Tabulations of bids received may be mailed to bidders. Bidders requesting tabulations must enclose a stamped, self-addressed envelope with the bid.
- O. The Lexington-Fayette Urban County Government is exempt from Kentucky Sales Tax and Federal Excise Tax on materials purchased from this bid invitation. Materials purchased by the bidder for construction projects are not tax exempt and are the sole responsibility of the bidder.
- P. All material furnished hereunder must be in full compliance with OSHA regulations.

- Q. If more than one bid is offered by one party, or by any person or persons representing a party, all such bids shall be rejected.
- R. Signature on the face of this bid by the Bidder or his authorized representative shall be construed as acceptance of and compliance with all terms and conditions contained herein.
- S. The Entity (regardless of whether construction contractor, non-construction contractor or supplier) agrees to provide equal opportunity in employment for all qualified persons, to prohibit discrimination in employment because of race, color, creed, national origin, sex or age, and to promote equal employment through a positive, continuing program from itself and each of its sub-contracting agents. This program of equal employment opportunity shall apply to every aspect of its employment policies and practices.
- T. The Kentucky Equal Employment Opportunity Act of 1978 (KRS 45.560-45.640) requires that any county, city, town, school district, water district, hospital district, or other political subdivision of the state shall include in directly or indirectly publicly funded contracts for supplies, materials, services, or equipment hereinafter entered into the following provisions:

During the performance of this contract, the contractor agrees as follows:

- (1) The contractor will not discriminate against any employee or applicant for employment because of race, color, religion, sex, age or national origin;*
- (2) The contractor will state in all solicitations or advertisements for employees placed by or on behalf of the contractors that all qualified applicants will receive consideration for employment without regard to race, color, religion, sex, age or national origin;*
- (3) The contractor will post notices in conspicuous places, available to employees and applicants for employment, setting forth the provisions of the non-discrimination clauses required by this section; and*
- (4) The contractor will send a notice to each labor union or representative of workers with which he has a collective bargaining agreement or other contract or understanding advising the labor union or workers' representative of the contractor's commitments under the nondiscrimination clauses.*

The Act further provides:

KRS 45.610. Hiring minorities - Information required

- (1) For the length of the contract, each contractor shall hire minorities from other sources within the drawing area, should the union with which he has collective bargaining agreements be unwilling to supply sufficient minorities to satisfy the agreed upon goals and timetable.*
- (2) Each contractor shall, for the length of the contract, furnish such information as required by KRS 45.560 to KRS 45.640 and by such rules, regulations and orders issued pursuant thereto and will permit access to all books and records pertaining to his employment practices and work sites by the contracting agency and the department for purposes of investigation to ascertain compliance with KRS 45.560 to 45.640 and such rules, regulations and orders issued pursuant thereto.*

KRS 45.620. Action against contractor - Hiring of minority contractor or subcontractor

- (1) If any contractor is found by the department to have engaged in an unlawful practice under this chapter during the course of performing under a contract or subcontract covered under KRS 45.560 to 45.640, the department shall so certify to the contracting agency and such certification shall be binding upon the contracting agency unless it is reversed in the course of judicial review.*
- (2) If the contractor is found to have committed an unlawful practice under KRS 45.560 to 45.640, the contracting agency may cancel or terminate the contract, conditioned upon a program for future compliance approved by the contracting agency and the department. The contracting agency may declare such a contractor ineligible to bid on further contracts with that agency until such time as the contractor complies in full with the requirements of KRS 45.560 to 45.640.*

- (3) *The equal employment provisions of KRS 45.560 to 45.640 may be met in part by a contractor by subcontracting to a minority contractor or subcontractor. For the provisions of KRS 45.560 to 45.640, a minority contractor or subcontractor shall mean a business that is owned and controlled by one or more persons disadvantaged by racial or ethnic circumstances.*

KRS 45.630 Termination of existing employee not required, when

Any provision of KRS 45.560 to 45.640 notwithstanding, no contractor shall be required to terminate an existing employee upon proof that that employee was employed prior to the date of the contract.

KRS 45.640 Minimum skills

Nothing in KRS 45.560 to 45.640 shall require a contractor to hire anyone who fails to demonstrate the minimum skills required to perform a particular job.

It is recommended that all of the provisions above quoted to be included as special conditions in each contract. In the case of a contract exceeding \$250,000, the contractor is required to furnish evidence that his work-force in Kentucky is representative of the available work-force in the area from which he draws employees, or to supply an Affirmative Action plan which will achieve such representation during the life of the contract.

- U. Any party, firm or individual submitting a proposal pursuant to this invitation must be in compliance with the requirements of the Lexington-Fayette Urban County Government regarding taxes and fees before they can be considered for award of this invitation and must maintain a "current" status with regard to those taxes and fees throughout the term of the contract. The contractor must be in compliance with Chapter 13 from the Code of Ordinances of the Lexington-Fayette Urban County Government. The contractor must be in compliance with Ordinance 35-2000 pursuant to contractor registration with the Division of Building Inspection. If applicable, said business must have a Fayette County business license.

Pursuant to KRS 45A.343 and KRS 45A.345, the contractor shall

- (1) *Reveal any final determination of a violation by the contractor within the previous five year period pursuant to KRS Chapters 136 (corporation and utility taxes), 139 (sales and use taxes), 141 (income taxes), 337 (wages and hours), 338 (occupational safety and health of employees), 341 (unemployment and compensation) and 342 (labor and human rights) that apply to the contractor; and*
- (2) *Be in continuous compliance with the above-mentioned KRS provisions that apply to the contractor for the duration of the contract.*

A contractor's failure to reveal the above or to comply with such provisions for the duration of the contract shall be grounds for cancellation of the contract and disqualification of the contractor from eligibility for future contracts for a period of two (2) years.

- V. Vendors who respond to this invitation have the right to file a notice of contention associated with the bid process or to file a notice of appeal of the recommendation made by the Director of Central Purchasing resulting from this invitation.

Notice of contention with the bid process must be filed within 3 business days of the bid/proposal opening by (1) sending a written notice, including sufficient documentation to support contention, to the Director of the Division of Central Purchasing or (2) submitting a written request for a meeting with the Director of Central Purchasing to explain his/her contention with the bid process. After consulting with the Commissioner of Finance the Chief Administrative Officer and reviewing the documentation and/or hearing the vendor, the Director of Central Purchasing shall promptly respond in writing findings as to the compliance with bid processes. If, based on this review, a bid process irregularity is deemed to have occurred the Director of Central Purchasing will consult with the Commissioner of Finance, the Chief Administrative Officer and the Department of Law as to the appropriate remedy.

Notice of appeal of a bid recommendation must be filed within 3 business days of the bid recommendation by (1) sending a written notice, including sufficient documentation to support appeal, to the Director, Division of Central Purchasing or (2) submitting a written request for a meeting with the Director of Central

Purchasing to explain his appeal. After reviewing the documentation and/or hearing the vendor and consulting with the Commissioner of Finance and the Chief Administrative Officer, the Director of Central Purchasing shall in writing, affirm or withdraw the recommendation.

EQUAL OPPORTUNITY AGREEMENT

The Law

- Title VII of the Civil Rights Act of 1964 (amended 1972) states that it is unlawful for an employer to discriminate in employment because of race, color, religion, sex, age (40-70 years) or national origin.
- Executive Order No. 11246 on Nondiscrimination under Federal contract prohibits employment discrimination by contractor and sub-contractor doing business with the Federal Government or recipients of Federal funds. This order was later amended by Executive Order No. 11375 to prohibit discrimination on the basis of sex.
- Section 503 of the Rehabilitation Act of 1973 states:
The Contractor will not discriminate against any employee or applicant for employment because of physical or mental disability.
- Section 2012 of the Vietnam Era Veterans Readjustment Act of 1973 requires Affirmative Action on behalf of disabled veterans and veterans of the Vietnam Era by contractors having Federal contracts.
- Section 206(A) of Executive Order 12086, Consolidation of Contract Compliance Functions for Equal Employment Opportunity, states:

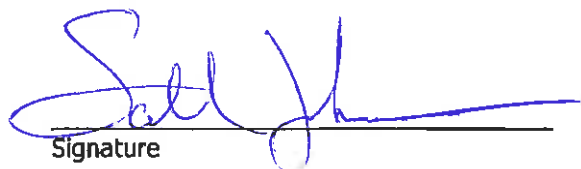
The Secretary of Labor may investigate the employment practices of any Government contractor or sub-contractor to determine whether or not the contractual provisions specified in Section 202 of this order have been violated.


The Lexington-Fayette Urban County Government practices Equal Opportunity in recruiting, hiring and promoting. It is the Government's intent to affirmatively provide employment opportunities for those individuals who have previously not been allowed to enter into the mainstream of society. Because of its importance to the local Government, this policy carries the full endorsement of the Mayor, Commissioners, Directors and all supervisory personnel. In following this commitment to Equal Employment Opportunity and because the Government is the benefactor of the Federal funds, it is both against the Urban County Government policy and illegal for the Government to let contracts to companies which knowingly or unknowingly practice discrimination in their employment practices. Violation of the above mentioned ordinances may cause a contract to be canceled and the contractors may be declared ineligible for future consideration.

Please sign this statement in the appropriate space acknowledging that you have read and understand the provisions contained herein. Return this document as part of your application packet.

Bidders

I/We agree to comply with the Civil Rights Laws listed above that govern employment rights of minorities, women, veteran status, disability and age.


Signature


Name of Business
Page 7 of 10

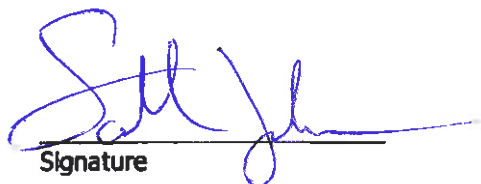
GENERAL PROVISIONS OF BID CONTRACT

By signing the below, bidder acknowledges that it understands and agrees with the following provisions related to its bid response and the provision of any goods or services to LFUCG upon selection by LFUCG pursuant to the bid request:

1. Bidder shall comply with all Federal, State & Local regulations concerning this type of service or good.
2. Failure to submit ALL forms and information required by LFUCG may be grounds for disqualification.
3. Addenda: All addenda, if any, must be considered by the bidder in making its response, and such addenda shall be made a part of the requirements of the bid contract. Before submitting a bid response, it is incumbent upon bidder to be informed as to whether any addenda have been issued, and the failure of the bidder to cover any such addenda may result in disqualification of that response.
4. Bid Reservations: LFUCG reserves the right to reject any or all bid responses, to award in whole or part, and to waive minor immaterial defects in proposals. LFUCG may consider any alternative proposal that meets its basic needs.
5. Liability: LFUCG is not responsible for any cost incurred by bidder in the preparation of its response.
6. Changes/Alterations: Bidder may change or withdraw a proposal at any time prior to the opening; however, no oral modifications will be allowed. Only letters, or other formal written requests for modifications or corrections of a previously submitted proposal which is addressed in the same manner as the bid response, and received by LFUCG prior to the scheduled closing time for receipt of bids, will be accepted. The bid response when opened, will then be corrected in accordance with such written request(s), provided that the written request is contained in a sealed envelope which is plainly marked "modifications of bid response".
7. Clarification of Submittal: LFUCG reserves the right to obtain clarification of any point in a bid or to obtain additional information from any bidder.
8. Bribery Clause: By his/her signature on its response, bidder certifies that no employee of his/hers, any affiliate or subcontractor, has bribed or attempted to bribe an officer or employee of the LFUCG.
9. Additional Information: While not necessary, the bidder may include any product brochures, software documentation, sample reports, or other documentation that may assist LFUCG in better understanding and evaluating the bid response. Additional documentation shall not serve as a substitute for other documentation which is required by the LFUCG to be submitted with the bid response.
10. Ambiguity, Conflict or other Errors: If a bidder discovers any ambiguity, conflict, discrepancy, omission or other error in the bid request of LFUCG, it shall immediately notify LFUCG of such error in writing and request modification or clarification of the document if allowable by the LFUCG.
11. Agreement to Bid Terms: In submitting its bid response, the bidder agrees that it has carefully examined the specifications and all provisions relating to LFUCG's bid request, including but not limited to the bid contract. By submission of its bid response, bidder states that it understands the meaning, intent and requirements of LFUCG's bid request and agrees to the same. The successful bidder shall warrant that it is familiar with and understands all provisions herein and shall warrant that it can comply with them. No additional compensation to bidder shall be authorized for services, expenses, or goods reasonably covered under these provisions that the bidder omits from its bid response.
12. Cancellation: LFUCG may unilaterally terminate the bid contract with the selected bidder(s) at any time, with or without cause, by providing at least thirty (30) days advance written notice unless a different advance written notice period is negotiated prior to contract approval. Payment for services or goods received prior to termination

shall be made by the LFUCG provided these goods or services were provided in a manner acceptable to the LFUCG. Payment for those goods and services shall not be unreasonably withheld.

13. **Assignment of Contract:** The selected bidder(s) shall not assign or subcontract any portion of the bid contract with LFUCG without the express written consent of LFUCG. Any purported assignment or subcontract in violation hereof shall be void. It is expressly acknowledged that LFUCG shall never be required or obligated to consent to any request for assignment or subcontract; and further that such refusal to consent can be for any or no reason, fully within the sole discretion of LFUCG.
14. **No Waiver:** No failure or delay by LFUCG in exercising any right, remedy, power or privilege hereunder, nor any single or partial exercise thereof, nor the exercise of any other right, remedy, power or privilege shall operate as a waiver hereof or thereof. No failure or delay by LFUCG in exercising any right, remedy, power or privilege under or in respect of this bid proposal or bid contract shall affect the rights, remedies, powers or privileges of LFUCG hereunder or shall operate as a waiver thereof.
15. **Authority to do Business:** Each bidder must be authorized to do business under the laws of the Commonwealth of Kentucky and must be in good standing and have full legal capacity to provide the goods or services specified in the bid proposal. Each bidder must have all necessary right and lawful authority to submit the bid response and enter into the bid contract for the full term hereof including any necessary corporate or other action authorizing the bidder to submit the bid response and enter into this bid contract. If requested, the bidder will provide LFUCG with a copy of a corporate resolution authorizing this action and/or a letter from an attorney confirming that the proposer is authorized to do business in the Commonwealth of Kentucky. All bid responses must be signed by a duly authorized officer, agent or employee of the bidder.
16. **Governing Law:** This bid request and bid contract shall be governed by and construed in accordance with the laws of the Commonwealth of Kentucky. In the event of any proceedings regarding this matter, the bidder agrees that the venue shall be the Fayette County Circuit Court or the U.S. District Court for the Eastern District of Kentucky, Lexington Division and that the bidder expressly consents to personal jurisdiction and venue in such Court for the limited and sole purpose of proceedings relating to these matters or any rights or obligations arising thereunder.
17. **Ability to Meet Obligations:** Bidder affirmatively states that there are no actions, suits or proceedings of any kind pending against bidder or, to the knowledge of the bidder, threatened against the bidder before or by any court, governmental body or agency or other tribunal or authority which would, if adversely determined, have a materially adverse effect on the authority or ability of bidder to perform its obligations under this bid response or bid contract, or which question the legality, validity or enforceability hereof or thereof.
18. Bidder understands and agrees that its employees, agents, or subcontractors are not employees of LFUCG for any purpose whatsoever. Bidder is an independent contractor at all times related to the bid response or bid contract.
19. If any term or provision of this bid contract shall be found to be illegal or unenforceable, the remainder of the contract shall remain in full force and such term or provision shall be deemed stricken.


Signature

3/28/17
Date

Bld #49-2017 Forklift

Price Sheet

\$ 21,286.55

- These specifications describes the minimum requirements for a 5000 lb lifting capacity forklift with pneumatic tires.
- Mast:2 stage with max lift of 130" and highest overhead height of forklift not to exceed 84"
- Engine:Diesel with at least 50hp and EPA compliant.
- Forks:To be 48"long x 4 to 5" wide.Side shifting fork positioner.**Automatic fork leveling** *not provided - not necessary*
- Tilt forward at least 6 degrees
- Transmission:1 forward speed and 1 reverse
- Travel Speed:Not to exceed 13 MPH
- Steering:Hydrostatic power steering
- Tires:Air Pneumatic tires
- Safety Equipment:Seat belt,stroke light,rearview mirror and back up alarm.
- Headlights:Front

Pricing of a C25 Forklift Truck

For: Lexington Fayette Government

Item Description	Order Code	\$ Amount
C25 Diesel Basic Capacity @ 24" LC with 130" Upr & SS-FP 5000 lb.	15-427	\$17,773.50
SPECIFICATIONS:		
Yanmar 4TNE98 Diesel Engine - EPA Compliant	60-105	\$566.10
130" Two Stage Upright 130" MFH / 85.2" OHL / 4.1" FL (10B/8F)	21-130	included above
41" Class II Carriage	32-041	included above
48" x 41" Class II LBR	42-005	included above
48" x 4" x 1.75" Class II Forks	52-048	\$22.95
Air Pneumatic Drive Tires 7.00 x 12	61-601	included above
Air Pneumatic Steer Tires 6.00 x 9	61-901	included above
CLARK Green Paint	68-002	included above
Full-Suspension Vinyl Safety Seat w/Orange Seat Belt	63-406	included above
Rear Grab Bar Handle w/Horn	65-147	included above
Two Headlights (OHG mounted)	63-001	included above
Back-Up Alarm	63-501	\$94.35
Rear View Mirrors	68-101	\$48.45
Amber Strobe Light	63-403	\$94.35
Double Aux Valve (required with SS/FP)	61-322	\$127.50
Double Hose Adaptation for SS/FP	78-032	\$481.95
41" Side Shifting Fork Positioner (41" OW/36.1" FS / 8" Side Shift)	72-623	\$1,397.40
Operator Manual Provided on Truck	STD	included above
Parts and Service Manual - CD	CCI-COM	\$85.00
Unit Price (excludes freight)		\$20,691.55
Freight to Continental United States to location w/loading dock *		\$595.00
Total Unit Price FOB Destination		\$21,286.55

AVAILABLE OPTIONS FOR ADDITIONAL COST:

2.5# Fire Extinguisher	ESQ5530	\$160.00
Rear Work Light	63-301	\$84.15
Solid Pneumatic Drive Tires 7.00 x 12	61-605	\$224.40
Solid Pneumatic Steer Tires 6.00 x 9	61-903	\$160.65

Standard warranty is 1 year / 2000 hours on basic truck, 2 years / 4000 hours on major components

* Freight quote is for direct truck shipment to shipping location. If end user does not have a loading dock, shipment will need to go through the closest CLARK dealership and they will need to deliver on a low boy trailer and there will be an additional freight charge.

Please place your order with:

CLARK Tax ID# 54-2091806
 Terms: Net 30 days
 Cage Code: 89749
 Duns# 129134974
 Quote 16-092, C25

CLARK Material Handling Company
 Attn: Laura Leve
 700 Enterprise Drive
 Lexington, Kentucky 40510
 Ph: (859) 422-6429
 Fx: (859) 422-8621
 email: lauraleve@clarkmhc.com

Lead Time 15 weeks ARO

C25C

C25

Hyundai/GM/Yanmar Engines

20/25/30/32C

IC-CUSHION LPG
4000 / 5000 / 6000 / 6500 lbs.
(2000 / 2500 / 3000 / 3200 kg)

20/25/30/35

IC-PNEUMATIC LPG/DIESEL
4000 / 5000 / 6000 / 7000 lbs.
(2000 / 2500 / 3000 / 3300 kg)

GEN2



CLARK
THE FORKLIFT

- The operator compartment is supported on specially engineered isolating mounts, reducing the amount of engine noise and vibration transmitted to the operator ensuring a more comfortable ride.



Highly Maneuverable, Easily Serviceable, Broadly Flexible, Extremely Dependable

The GEN2 C20-series proudly adds to CLARK's unique history of building the best forklifts with evolutionary steps in **ergonomics, power, safety, durability, and performance**. These models, designed for distribution, manufacturing and warehousing of all types, are suited for the toughest applications.

95%

The large operator compartment's controls and seating are designed to maximize operator space and comfortably accommodate the ninety-five percentile in height range of the world's adult population.

- Nested upright rails provide positive rail interlock and a narrow "column" to **maximize the vision window**. The overhead guard safety bars run parallel to the operator's line of sight resulting in a **clear, unobstructed view**.

Smooth Control + Easy Operation =
Operator Confidence & Optimum Comfort



- With four turns lock-to-lock the **hydrostatic power steering** provides the operator with excellent maneuverability and ease of control.



- Low open foot steps with **traction plates** make entry/exit quick, easy and safe... from either side.



Rugged Durability, High Performance, Extreme Environments, Demanding Applications

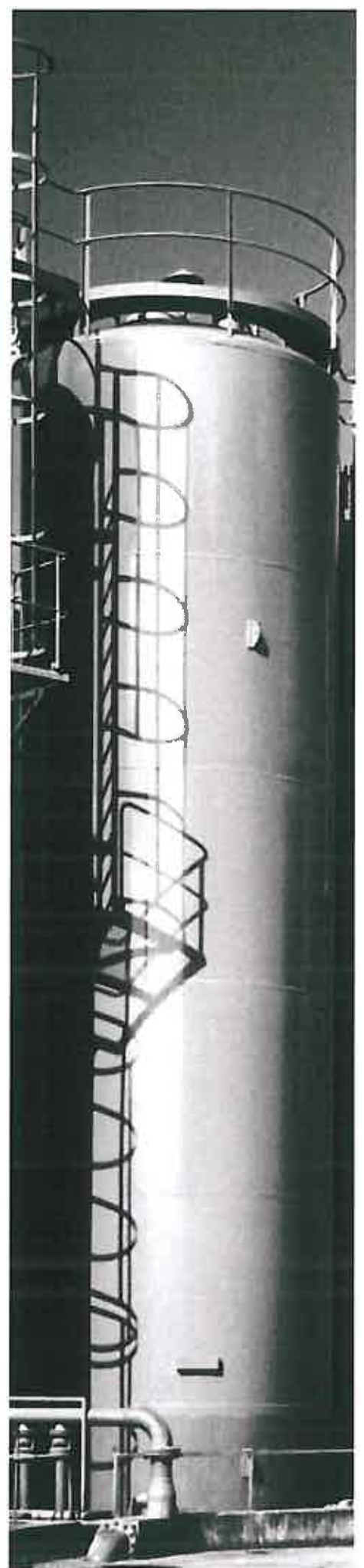
The GEN2 C20-series is designed to tackle any task placed in its path. The open-core, plate-fin radiator provides **maximum cooling** of the engine, transmission and axle in the **harshest environments** and the most demanding applications.

10%

The high performance Hyundai Theta Engine is 10% more fuel efficient than prior EPA compliant models.

- Improved power and efficiency is achieved through comprehensive engine design integrating multi-point sequential injection, dual overhead cams, four valves per cylinder, 10.5:1 high-compression and low friction diamond-like coating on cams & lifters.

Maximum Visibility + Minimum Fatigue =
Ultimate Safety & Product Integrity



C25 STANDARD FEATURES & BENEFITS



PARKING BRAKE

■ Simple & Error Proof

- Foot-applied brake can be released by hand or foot.
- Transmission disengages when parking brake is set preventing driving against brakes.
- Horn will sound if brake is not set after three seconds from when the engine is shut off.

HYDRAULIC SYSTEM

■ Maximum Horsepower

- Uses a load-sensing flow control valve for steering to reduce horsepower loss and heat buildup.

■ Optimum Performance Of Attachments

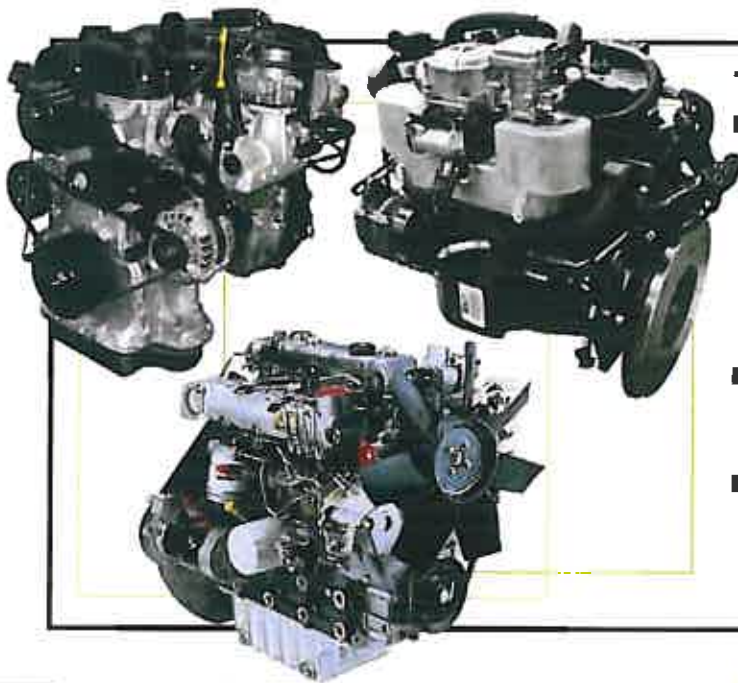
- The main hydraulic valve incorporates adjustable flow controls for tilt and auxiliary functions.

■ Sectional Design

- Allows for easy addition of extra functions and simplifies service.

■ Upright Mounted Load Lowering Valve

- Controlled lowering speed independent of load speed.



THE POWER BEHIND THE PUNCH

■ High-Performance Hyundai Theta LPG Engine

- The 4-cylinder, dual overhead cam engine produces 70 HP and 140 ft-lbs of torque @ 1600 rpm for superior performance.
- Internal, self-lubricating chain-driven cams and automatic chain tensioner provide long-life and protection from debris.

■ Well-known GM 3.0L LPG Engine

- Cast Iron block and heads.
- Conventional OHV and hydraulic lifters.

■ Recognized Worldwide Yanmar Diesel Engine

- Durable, easy to start, low-smoke, easy to service.
- High pressure indirect-injection = better fuel economy.
- Vertical exhaust is standard equipment.

Available Equipment

- Mirrors
- Sideshifters
- Strobe lights
- Backup alarm
- Rear work light
- Auxiliary valves
- Wide Drive Tires
- Turn signal lights
- Hose adaptations
- Combination lights
- Convenience console
- Bottler's tilt
- Tire Options
- Pre-cleaner
- Travel Speed Limit
- Hydraulic control options
- Air cleaner safety element
- U.L. Type LPS & DS construction
- Suspension seat, vinyl and cloth
- Reduced height overhead guard
- Swing-Down LPG Tank Bracket
- Dual Fuel



ONE-PIECE FRAME

- Heavy duty, welded, and formed steel plate design protects from impact damage and extends the life of the truck.
- Integral hydraulic sump provides cooling for hydraulics.



STEERING AXLE (pneumatic shown)

■ Rugged Design

- Linkage pivot pins have a "double shear" design to withstand impact without loosening or breaking.

■ Simple Axle Design

- Double-ended cylinder provides steering force.



RUGGED UPRIGHT AND CARRIAGE

■ I-Channel Construction

- Maximizes visibility and stiffness, allows for internal hosing and cable.
- Six carriage rollers and two side-thrust rollers minimize deflection and sideplay, reduce roller contact stress and extend component life.
- Hydraulic cushioning valves provide silent staging of the rails to reduce shock during both lifting and lowering.

■ Shimmable, Sealed & Canted Load Rollers

- Maximize Load Distribution & Reduce Free Play.



DASH DISPLAY

■ Microprocessor

- Monitors the condition of truck systems as well as controlling their functions.
- Controls neutral starting and prevents cranking while the engine is running.

■ LCD Display

- Hourmeter and maintenance interval are displayed on the LCD screen.

■ LED Lights Indicate

- Transmission temperature • Engine oil pressure
- Alternator charge • Fuel system malfunction
- Park brake applied • Maintenance required • Seat belt

■ Push Switches

- Headlight and optional worklights are controlled with push switches.



OPERATOR COMPARTMENT

■ Fully Adjustable Seat

- 2.4" vertical travel • 20° backrest adjustment range
- 6" fore / aft adjustment • Contoured for support
- Non-cinching, retractable seat belt

■ Thick Molded Floor Mat

- Reduces vibration and noise level.
- Improves operator comfort.

■ Minimal Arm Fatigue

- Electronic directional controls enable true fingertip operation.

■ Tilt Steering Column

■ Largest Operator Compartment In The Industry

GENERAL DATA & STANDARD DIMENSIONS

Upright Table

Maximum Fork Height in mm	Overall Height ¹		Tilt Spec ²		Standard B°/F°
	Lowered in	Free Lift ⁴ mm	in	mm	
C20/25/30C Standard					
83	2110	60.0	1525	4.3	110
105	2665	71.1	1806	4.3	110
117	2970	77.0	1955	4.3	110
• 130	3300	83.3	2115	4.3	110
146	3705	94.7	2405	4.3	110
152	3860	97.6	2480	4.3	110
164	4165	108.3	2750	4.3	110
172	4380	116.1	2950	4.3	110
182	4620	125.2	3180	4.3	110
203	5170	135.6	3445	4.3	110
C32C Standard					
• 127	3225	83.3	2120	4.5	115
144	3655	94.7	2415	4.5	115
C20/25C Triple Stage³					
152	3860	71.1	1820	49.2	1252
170	4315	77.0	1955	55.2	1402
• 189	4800	83.3	2119	61.5	1562
205	5205	88.8	2256	67.0	1702
217	5510	94.7	2405	72.9	1852
226	5740	97.6	2479	75.9	1927
240	6095	103.9	2639	82.2	2087
251	6370	108.3	2750	86.5	2197
269	6830	116.1	2950	94.4	2397
288	7315	125.2	3180	103.4	2627
C30C Triple Stage³					
152	3860	71.1	1820	46.9	1192
170	4315	77.0	1955	52.8	1342
• 189	4800	83.3	2119	59.1	1502
205	5205	88.8	2256	64.6	1642
217	5510	94.7	2405	70.6	1792
226	5740	97.6	2479	73.5	1867
240	6095	103.9	2639	79.8	2027
251	6370	108.3	2750	84.1	2137
269	6830	116.1	2950	92.0	2337
288	7315	125.2	3180	101.1	2567

Upright Table (cont.)

Maximum Fork Height in mm	Overall Height ¹		Free Lift ⁴		Standard Tilt Spec ² B°/F°
	Lowered in	mm	in	mm	
C32C Triple Stage³					
164	4165	77.0	1960	51.0	1296
• 189	4800	85.4	2170	59.5	1511
199	5055	89.0	2265	62.8	1596
211	5355	95.0	2415	68.7	1746
C20/25C HI-Lo					
115	2935	77	1956	55.2	1403
• 128	3250	83.3	2116	61.5	1563
139	3531	88.8	2256	67.0	1703
148	3760	94.7	2405	73.0	1853
154	3912	97.6	2479	75.9	1928
C30C HI-Lo					
115	2935	77	1956	55.2	1403
• 128	3250	83.3	2116	61.5	1563
139	3531	88.8	2256	67.0	1703
148	3760	94.7	2405	73.0	1853
154	3912	97.6	2479	75.9	1928
C20/25/30C Quad⁵					
216	5485	77	1956	52.0	1320
• 240	6096	83	2108	58.0	1473
258	6553	89	2260	64.0	1625
276	7010	95	2413	70.0	1778
294	7465	101	2565	76.0	1930
312	7925	107	2718	82.0	2082

Grade Clearance

Model	A%	B%
C20/25/30/32C	39.4	16.3

* Indicates Common Preferred Spec

- For overall height raised with load backrest, add 48 in. (1220 mm) to maximum fork height.
- Standard tilt shown. Contact Clark representative for information on optional tilt.
- Wide stance wheel (standard tire) is provided with all Quad uprights and all triple stage uprights over 240 in. (6095 mm) Maximum Fork Height – overall truck width is 48.8 in. (1240 mm) on C20/25C and 50.8 in. (1290 mm) on the C30/32C.
- Freelift dimensions shown are without load backrest.

Other uprights available, contact a Clark representative.

Notes

Production engines and driveline components may vary in output and/or efficiency by ±5%. The performance shown represents nominal values which may be obtained under typical operating conditions of a machine.

ANSI/ITSDF and Insurance Classification

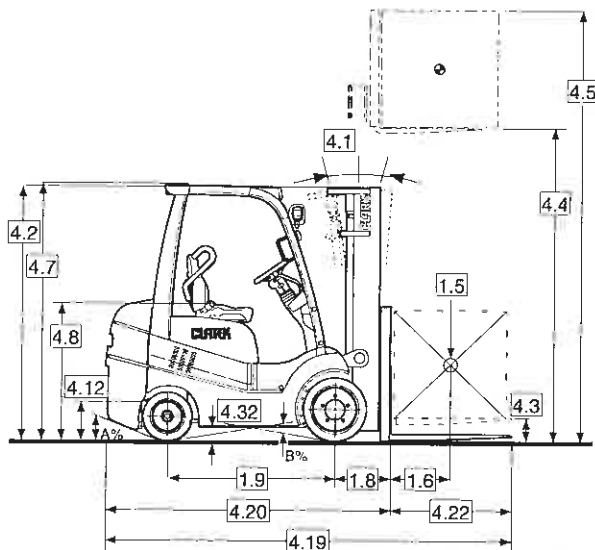
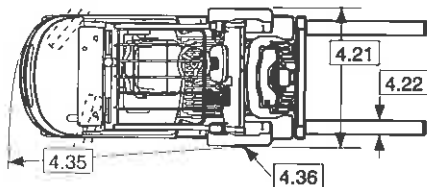
Standard truck meets all applicable mandatory requirements of Part III-ANSI/ITSDF B56.1 Safety Standard for Powered Industrial Trucks and Underwriters Laboratories requirements as to fire hazard only for D and LP classifications. For further information contact a Clark representative.

Users should be aware of, and adhere to, applicable codes and regulations regarding operator training, use, operation and maintenance of powered industrial trucks, including:

- ANSI/ITSDF B56.1
- NFPA 505, fire safety standard for powered industrial trucks - type designations, areas of use, maintenance and operation.
- Occupational Safety and Health Administration (OSHA) regulations that may apply.

Contact your authorized CLARK forklift truck dealer for further information including operator training programs and auxiliary visual and audible warning systems, fire extinguishers, etc., as available for specific user applications and requirements.

Specifications, equipment, technical data, photos and illustrations are based on information at time of printing and are subject to change without notice. Some products may be shown with optional equipment.



For corresponding data see Specification Chart

Upright Table

Maximum Fork Height	Overall Height ¹		Free Lift ⁴		Standard Tilt Spec ² B°/F°
	in	mm	in	mm	
C20/25 Standard					
83	2110	62.0	1575	4.1	105
105	2665	73.0	1854	4.1	105
117	2970	78.9	2004	4.1	105
130	3300	85.2	2164	4.1	105
146	3705	96.7	2456	4.1	105
152	3860	99.6	2529	4.1	105
164	4165	110.2	2799	4.1	105
172	4380	118.1	2999	4.1	105
182	4620	127.2	3230	4.1	105
203	5170	137.6	3495	4.1	105
C30 Standard					
83	2110	62.6	1590	4.3	110
105	2665	73.6	1869	4.3	110
117	2970	79.5	2019	4.3	110
130	3300	85.8	2179	4.3	110
146	3705	97.2	2468	4.3	110
152	3860	100.2	2545	4.3	110
164	4165	110.8	2814	4.3	110
172	4380	118.7	3014	4.3	110
182	4620	127.8	3246	4.3	110
203	5170	138.2	3510	4.3	110
C35 Standard					
152	3860	71.1	1820	49.2	1252
170	4315	77.0	1955	55.2	1402
189	4800	83.3	2119	61.5	1562
205	5205	88.8	2256	67.0	1702
217	5510	94.7	2405	72.9	1852
226	5740	97.6	2479	75.9	1927
240	6095	103.9	2639	82.2	2087
251	6370	108.3	2750	86.5	2197
269	6830	116.1	2950	94.4	2397
288	7315	125.2	3180	103.4	2627
C20/25 Triple Stage³					
152	3860	73.0	1854	47.3	1201
170	4315	78.9	2004	53.2	1351
189	4800	85.2	2164	59.5	1511
205	5205	90.7	2303	64.9	1648
217	5510	96.7	2456	70.9	1800
226	5740	99.6	2529	73.8	1875
240	6095	105.9	2689	80.1	2035
251	6370	110.2	2799	84.5	2135
269	6830	118.1	2999	92.3	2344
288	7315	127.2	3230	101.4	2576
C30 Triple Stage³					
152	3860	73.6	1869	45.5	1156
170	4315	79.5	2019	51.4	1306
189	4800	85.8	2179	57.7	1466
205	5205	91.3	2319	63.2	1605
217	5510	97.2	2468	69.1	1755
226	5740	100.2	2545	72.0	1829
240	6095	106.5	2705	78.3	1989
251	6370	110.8	2814	82.7	2100
269	6830	118.7	3014	90.5	2299
288	7315	127.8	3246	99.6	2530
C35 Triple Stage³					
146	3680	74	1890	44	1120
163	4140	80	2040	50	1270
182	4620	87	2200	57	1450
198	5030	92	2340	62	1575
210	5340	98	2490	68	1725
219	5560	101	2565	71	1805
233	5920	107	2725	77	1955
243	6190	112	2835	82	2085
262	6650	119	3035	89	2260
281	7135	129	3265	99	2515
C20/25 HI-Lo					
116	2945	78.9	2004	54.4	1381
128	3250	85.2	2164	60.7	1541
139	3531	90.7	2303	66.2	1681
148	3760	96.7	2456	72.1	1831
154	3912	99.6	2529	75.1	1907
C30 HI-Lo					
116	2945	79.5	2019	52.4	1331
128	3250	85.8	2179	58.7	1491
139	3531	91.3	2319	64.2	1631
148	3760	97.2	2468	70.1	1781
154	3912	100.2	2545	73.1	1857

Upright Table (cont.)

Maximum Fork Height	Overall Height ¹		Free Lift ⁴		Standard Tilt Spec ² B°/F°
	in	mm	in	mm	
C20/25/30 Quad¹					
216	5485	79	2006	53	1346
240	6096	85	2159	59	1499
258	6553	91	2311	65	1651
276	7010	97	2463	71	1803
294	7465	103	2616	77	1955
312	7925	109	2769	83	2108
Grade Clearance					
					A%
Model					A%
C20/25					57.7
C30					57.7
C35					30.0
					B%
C20/25					23.2
C30					22.9
C35					25.4

- Indicates preferred common specification.
- 1 For overall height raised with load backrest, add 48 in. (1220 mm) to maximum fork height.
- 2 Standard tilt shown. Contact Clark representative for information on optional tilt.
- 3 A dual stage master cylinder assures smooth braking and reduced pedal effort with short pedal stroke. For single drive request special quote. Quads require Class II carriages, forks and load backrests.
- 4 Free lift dimensions shown are without load backrest.

Other uprights available, contact a Clark representative.

Notes

Production engines and driveline components may vary in output and/or efficiency by ±5%. The performance shown represents nominal values which may be obtained under typical operating conditions of a machine.

ANSI/ITSDF and Insurance Classification

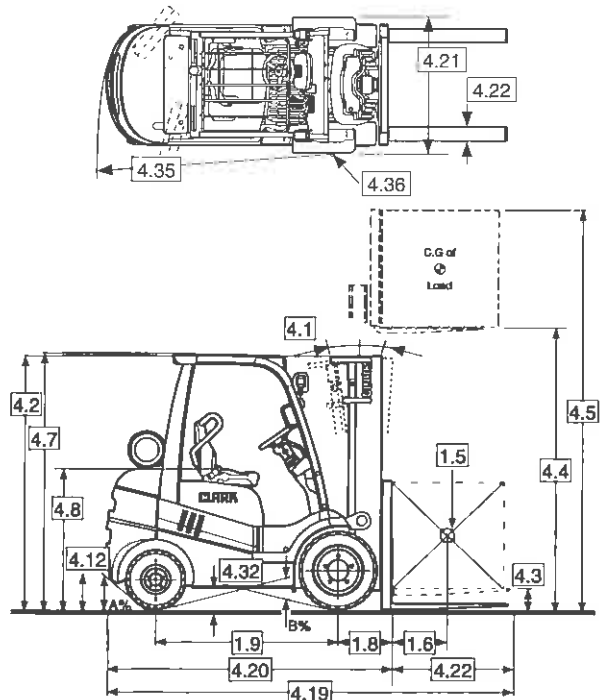
Standard truck meets all applicable mandatory requirements of Part III-ANSI/ITSDF B56.1 Safety Standard for Powered Industrial Trucks and Underwriters Laboratories requirements as to fire hazard only for D and LP classifications. For further information contact a Clark representative.

Users should be aware of, and adhere to, applicable codes and regulations regarding operator training, use, operation and maintenance of powered industrial trucks, including:

- ANSI/ITSDF B56.1
- NFPA 505, fire safety standard for powered industrial trucks - type designations, areas of use, maintenance and operation.
- Occupational Safety and Health Administration (OSHA) regulations that may apply.

Contact your authorized CLARK forklift truck dealer for further information including operator training programs and auxiliary visual and audible warning systems, fire extinguishers, etc., as available for specific user applications and requirements.

Specifications, equipment, technical data, photos and illustrations are based on information at time of printing and are subject to change without notice. Some products may be shown with optional equipment.



For corresponding data see Specification Chart

STANDARD SPECIFICATIONS

C20/25/30/32C

Specifications	1.1	Manufacturer		Clark	Clark	Clark
	1.2	Manufacturer's Designation		C20CL	C25CL	C30CL
	1.3	Drive unit Diesel, L.P. Gas		LPG	LPG	LPG
	1.4	Operator type stand on / driver seated		Rider counterbalanced	Rider counterbalanced	Rider counterbalanced
	1.5	Load capacity / rated load	lbs(kg)	4000 (2000)	5000 (2500)	6000 (3000)
	1.6	Load center distance	in(mm)	24 (500)	24 (500)	24 (500)
	1.8	Load center distance, center of drive axle to fork face	in(mm)	STD 15.4 (391) TSU 16.7 (424)	STD 15.4 (391) TSU 16.7 (424)	STD 15.6 (396) TSU 16.9 (429)
	1.9	Wheelbase	in(mm)	55.1 / (1400)	55.1 / (1400)	55.1 (1400)
	Weight	2.1	Service weight	lbs(kg)	9,137 (3691)	9955 (4062)
2.2		Axle loading, loaded front / rear	lbs(kg)	11,122 / 1424 (5045 / 646)	12,712 / 1755 (5766 / 796)	14,358 / 2154 (6513 / 977)
2.3		Axle loading, unloaded front / rear	lbs(kg)	3796 / 4241 (1722 / 1969)	3554 / 5401 (1612 / 2450)	3369 / 6530 (1528 / 2962)
Tires	3.1	Tire type, P = pneumatic, SE = solid pneu, C = cushion		Cushion	Cushion	Cushion
	3.2	Tire size, front	in	21x7x15	21x7x15	21x8x15
	3.3	Tire size, rear	in	16x5x10.5	16x5x10.5	16x6x10.5
	3.5	Wheels, number front / rear (x = drive wheels)		2 x / 2	2 x / 2	2 x / 2
	3.6	Tread, front	in(mm)	34.7 (882)	34.7 (882)	35.7 (908)
	3.7	Tread, rear	in(mm)	35.2 (895)	35.2 (895)	36.2 (920)
	Dimensions	4.1	Tilt of upright / fork carriage, back / forward, a / b	degrees	58 / 6F	58 / 6F
4.2		Height, upright lowered	in(mm)	STD 83.3 (2116) TSU 83.3 (2116)	STD 83.3 (2116) TSU 83.3 (2116)	STD 83.3 (2116) TSU 83.3 (2116)
4.3		Freelift	in(mm)	STD 4.3 (109) TSU 61.5 (1562)	STD 4.3 (109) TSU 61.5 (1562)	STD 4.3 (109) TSU 61.5 (1562)
4.4		Lift height	in(mm)	STD 130 (3302) TSU 189 (4800)	STD 130 (3302) TSU 189 (4800)	STD 130 (3302) TSU 189 (4800)
4.5		Height, upright extended	in(mm)	STD 178 (4521) TSU 237 (6020)	STD 178 (4521) TSU 237 (6020)	STD 178 (4521) TSU 237 (6020)
4.7		Height overhead guard	in(mm)	82.8 (2105)	82.8 (2105)	82.8 (2105)
4.8		Seat height	in(mm)	45.9 (1165)	45.9 (1165)	45.9 (1165)
4.12		Coupling height	in(mm)	11.0 (279)	11.0 (279)	11.0 (279)
4.19		Overall length	in(mm)	STD 129.2 (3282) TSU 130.5 (3315)	STD 131.6 (3343) TSU 132.9 (3375)	STD 133.6 (3393) TSU 134.9 (3426)
4.20		Length to face of forks	in(mm)	STD 87.2 (2214) TSU 88.5 (2248)	STD 89.6 (2276) TSU 90.9 (2310)	STD 91.6 (2327) TSU 92.9 (2359)
4.21		Width	in(mm)	42.5 (1080)	42.5 (1080)	43.7 (1110)
4.22		Fork dimensions	in(mm)	1.75x4x42 (45x100x1070)	1.75x4x42 (45x100x1070)	1.75x4.8x42 (45x122x1070)
4.23		Fork carriage		Hook Type	Hook Type	Hook Type
4.24		Fork carriage width	in(mm)	37.0 (940)	37.0 (940)	41.0 (1041)
4.31		Ground clearance minimum, loaded	in(mm)	3.35 (85)	3.35 (85)	3.35 (85)
4.32		Ground clearance center of wheelbase	in(mm)	4.3 (110)	4.3 (110)	4.3 (110)
4.34	Right Angle Stack (add load length and clearance)	in(mm)	STD 93.2 (2367) TSU 94.5 (2399)	STD 95.3 (2426) TSU 96.8 (2459)	STD 97.9 (2487) TSU 99.2 (2519)	
4.35	Outside turning radius	in(mm)	77.6 (1975)	83.1 (2035)	82.3 (2090)	
4.36	Inside turning radius	in(mm)	3.53 (89.6)	3.53 (89.6)	3.00 (76.4)	
Performance	5.1	Travel speed loaded / unloaded	mph (koh)	10.0 / 10.1 (16.1 / 16.2)	10.0 / 10.1 (16.1 / 16.2)	10.0 / 10.1 (16.1 / 16.2)
	5.2	Lift speed loaded / unloaded	fpm(ms)	STD 112/118 (57/60) TSU 108/114 (55/58)	STD 110/118 (56/60) TSU 106/114 (54/58)	STD 106/118 (54/60) TSU 104/114 (53/58)
	5.3	Lowering speed loaded / unloaded	fpm(ms)	STD 89/89 (43/43) TSU 85/85 (43/43)	STD 88/85 (43/43) TSU 85/85 (43/43)	STD 88/89 (43/43) TSU 85/85 (43/43)
	5.6	Max. drawbar pull loaded ¹	lbs(N)	HMC 5741 (25537) GM 5741 (25537)	HMC 5940 (26422) GM 5816 (25871)	HMC 5892 (26209) GM 5768 (25657)
	5.8	Max. gradeability loaded / unloaded ¹	%	HMC 41.4 / 19.8 GM 41.4 / 19.8	HMC 41.1 / 16.5 GM 40.1 / 16.5	HMC 39.9 / 13.8 GM 38.9 / 13.8
	5.10	Service brake		Drum	Drum	Drum
Drive Line	7.1	Manufacturer / Type		Hyundai Theta (HMC) 2.4 GM 3.0	Hyundai Theta (HMC) 2.4 GM 3.0	Hyundai Theta (HMC) 2.4 GM 3.0
	7.2	Rated output per SAE J1349	HP/kW @ rpm	HMC 70.4/52.5 @ 2650 GM 67.0/50.0 @ 2650	HMC 70.4/52.5 @ 2650 GM 67.0/50.0 @ 2650	HMC 70.4/52.5 @ 2650 GM 67.0/50.0 @ 2650
	7.3	Rated speed	rpm	2650	2650	2650
	7.4	No. of cylinders / displacement	# / cu. in (liters)	HMC 4 / 146 (2.4) GM 4 / 181 (3.0)	HMC 4 / 146 (2.4) GM 4 / 181 (3.0)	HMC 4 / 146 (2.4) GM 4 / 181 (3.0)
8.2	Operating pressure for attachments	psi/bar	Adjustable	Adjustable	Adjustable	
8.4	Sound level, driver's ear	dB(A)	78	78	78	

Notes: ¹ Assumes Traction Coefficient of .6

Clark C32CL LPG	Clark C20L LPG	Clark C25L LPG	Clark C30L LPG	Clark C35L LPG
Rider counterbalanced 8500 (3200) 24 (500) STD 16.2 (411) TSU 17.5 (445) 55.1 (1400)	Rider counterbalanced 4000 (2000) 24 (500) STD/TSU 17.9 (455) 63.8 (1620)	Rider counterbalanced 6000 (2500) 24 (500) STD/TSU 17.9 (455) 63.8 (1620)	Rider counterbalanced 6000 (3000) 24 (500) STD/TSU 18.8 (477) 66.9 (1700)	Rider counterbalanced 7000 (3500) 24 (500) STD/TSU 18.7 (475) 66.9 (1700)
10,254 (4651) 15,064 / 2244 (6833 / 1018) 3318 / 6935 (1505 / 3146)	8088 (3669) 10885 / 1203 (4937 / 546) 4259 / 3830 (1931 / 1737)	8838 (4009) 12,386 / 1452 (5618 / 659) 4101 / 4737 (1860 / 2149)	9786 (4439) 14,213 / 1573 (6447 / 713) 4271 / 5615 (1937 / 2502)	10300 (4672) 15,138 / 2162 (6881 / 983) 3671 / 6528 (1665 / 3007)
Cushion 21.5x15 16x6x10.5 2 x / 2 36.7 (932) 36.2 (920)	Pneumatic 7.00x12 - 14PR 6.00x9 - 10PR 2 x / 2 39.1 (994) 35.6 (904)	Pneumatic 7.00x12 - 14PR 6.00x9 - 10PR 2 x / 2 39.1 (994) 35.6 (904)	Pneumatic 8.15x15 - 14PR 6.50x10 - 12PR 2 x / 2 40.5 (1028) 35.9 (912)	Pneumatic 250x15-18PR 6.50x10-12PR 2 x / 2 41.3 (1050) 35.9 (912)
5B / 6F STD 83.3 (2116) TSU 85.4 (2169) STD 4.5 (114) TSU 59.5 (1511) STD 127 (3225) TSU 189 (4800) STD 175 (4445) TSU 237 (6020) 82.8 (2105) 45.9 (1165) 11.0 (276)	5B / 6F STD 65.2 (2165) TSU 65.2 (2165) STD 4.1 (104) TSU 59.2 (1511) STD 130 (3302) TSU 189 (4800) STD 178 (4521) TSU 237 (6020) 55.2 (2165) 44.7 (1135) 16.0 (406)	5B / 6F STD 85.2 (2165) TSU 85.2 (2165) STD 4.1 (104) TSU 59.2 (1511) STD 130 (3302) TSU 189 (4800) STD 178 (4521) TSU 237 (6020) 85.2 (2165) 44.7 (1135) 16.0 (406)	5B / 6F STD 85.8 (2180) TSU 85.8 (2180) STD 4.3 (109) TSU 57.7 (1466) STD 130 (3302) TSU 189 (4800) STD 178 (4521) TSU 237 (6020) 85.8 (2180) 45.3 (1151) 16.0 (406)	5B / 6F STD 87 (2200) TSU 87.0 (2200) STD 4.5 (114) TSU 57.0 (1448) STD 126 (3175) TSU 162 (4620) STD 173 (4394) TSU 230 (5842) 86.4 (2185) 45.7 (1161) 15.0 (406)
STD 135.9 (3452) TSU 137.2 (3485) STD 93.9 (2385) TSU 95.2 (2417) 45.4 (1154) 2x4.5x42 (50x122x1070) Hook Type 41.0 (1041) 3.35 (85) 4.3 (110)	STD/TSU 140.3 (3564) STD/TSU 98.3 (2496) 48.2 (1225) 1.75x4.8x42 (45x100x1070) Hook Type 41.0 (1041) 5.3 (135) 6.1 (155)	STD/TSU 142.7 (3625) STD/TSU 100.7 (2558) 48.2 (1225) 1.75x4x42 (45x100x1070) Hook Type 41.0 (1041) 5.3 (135) 6.1 (155)	STD/TSU 147.0 (3734) STD/TSU 105.5 (2669) 48.7 (1237) 1.75x4.8x42 (45x122x1070) Hook Type 41.0 (1041) 5.9 (150) 6.5 (165)	STD/TSU 151.0 (3835) STD/TSU 109.0 (2770) 51.8 (1315) 2.0x4.8x42 (50x122x1070) Hook Type 45.0 (1143) 6.5 (165) 6.5 (165)
STD 100.1 (2543) TSU 101.4 (2575) 93.9 (2130) 2.15 (54.7)	STD/TSU 106.3 (2700) 88.4 (2245) 11.5 (291)	STD/TSU 108.5 (2755) 90.6 (2300) 11.5 (291)	STD/TSU 113.5 (2882) 94.7 (2405) 11.3 (287)	STD/TSU 116.3 (2955) 97.6 (2480) 11.3 (287)
10.0 / 10.1 (16.1 / 16.2) STD 106/118 (54/60) TSU 102/114 (52/58) STD 89/89 (45/45) TSU 85/85 (43/43)	12.5 / 12.9 (20.1 / 20.8) STD 112/118 (57/60) TSU 108/114 (55/58) STD 89/89 (45/45) TSU 85/85 (43/43)	12.5 / 12.8 (20.1 / 20.6) STD 110/118 (56/60) TSU 106/114 (54/58) STD 89/89 (45/45) TSU 85/85 (43/43)	12.8 / 13.3 (20.6 / 21.4) STD 108/118 (55/60) TSU 104/114 (53/58) STD 89/89 (45/45) TSU 85/85 (43/43)	13.2 / 13.8 (21.2 / 22.2) STD 106/118 (54/60) TSU 102/114 (52/58) STD 86/86 (45/45) TSU 85/85 (43/43)
HMC 5852 (26031) GM 5729 (25484) HMC 37.3 / 13.1 GM 36.4 / 13.1	HMC 4788 (21298) GM 4687 (20849) HMC 41.8 / 23.3 GM 41.8 / 23.3	HMC 4751 (21133) GM 4650 (20684) HMC 36.6 / 20.3 GM 35.7 / 20.3	HMC 4560 (20284) GM 4463 (19852) HMC 30.2 / 19.2 GM 29.5 / 19.2	HMC 4390 (19528) GM 4296 (19110) HMC 26.2 / 15.2 GM 25.6 / 15.2
Drum	Drum	Drum	Drum	Drum
Hyundai Theta (HMC) 2.4 GM 3.0 HMC 70.452.5 @ 2650 GM 67.050.0 @ 2650 2650	Hyundai Theta (HMC) 2.4 GM 3.0 HMC 70.452.5 @ 2650 GM 67.050.0 @ 2650 2650	Hyundai Theta (HMC) 2.4 GM 3.0 HMC 70.452.5 @ 2650 GM 67.050.0 @ 2650 2650	Hyundai Theta (HMC) 2.4 GM 3.0 HMC 70.452.5 @ 2650 GM 67.050.0 @ 2650 2650	Hyundai Theta (HMC) 2.4 GM 3.0 HMC 70.452.5 @ 2650 GM 67.050.0 @ 2650 2650
HMC 4 / 146 (2.4) GM 4 / 181 (3.0)	HMC 4 / 146 (2.4) GM 4 / 181 (3.0)	HMC 4 / 146 (2.4) GM 4 / 181 (3.0)	HMC 4 / 146 (2.4) GM 4 / 181 (3.0)	HMC 4 / 146 (2.4) GM 4 / 181 (3.0)
Adjustable 78	Adjustable 78	Adjustable 78	Adjustable 78	Adjustable 78

Clark C20D Diesel Rider counterbalanced 4000 (2500) 24 (500) STD/TSU 17.9 (455) 63.8 (1620) 6008 (3669) 10885 / 1203 (4937 / 546) 4256 / 3590 (1931 / 1737)	Clark C25D Diesel Rider counterbalanced 5000 (2500) 24 (500) STD/TSU 17.9 (455) 63.8 (1620) 8838 (4009) 12,386 / 1452 (5618 / 659) 4101 / 4737 (1860 / 2149)	Clark C30D Diesel Rider counterbalanced 6200 (3000) 24 (500) STD/TSU 19.8 (477) 66.9 (1700) 9786 (4438) 14,213 / 1573 (6447 / 713) 4271 / 5515 (1937 / 2502)	Clark C35D Diesel Rider counterbalanced 7000 (3500) 24 (500) STD/TSU 19.7 (476) 66.9 (1700) 11,014 (4958) 15,759 / 2255 (7163 / 1025) 4292 / 5722 (1947 / 3049)
Pneumatic 7.00x12 - 14PR 6.00x9 - 10PR 2 x / 2 39.1 (994) 35.6 (904)	Pneumatic 7.00x12 - 14PR 6.00x9 - 10PR 2 x / 2 39.1 (994) 35.6 (904)	Pneumatic 8.15x15 - 14PR 6.50x10 - 12PR 2 x / 2 40.5 (1028) 35.9 (912)	Pneumatic 250x16-18PR 6.50x10-12PR 2 x / 2 41.3 (1050) 35.9 (912)
5B / 6F STD 85.2 (2165) TSU 85.2 (2165) STD 4.1 (104) TSU 59.2 (1511) STD 130 (3302) TSU 189 (4800) STD 178 (4521) TSU 237 (6020) 85.2 (2165) 44.7 (1135) 16.0 (406) STD/TSU 140.3 (3564) STD/TSU 98.3 (2496) 48.2 (1225) 1.75x4x42 (45x100x1070) Hook Type 41.0 (1041) 5.3 (135) 6.1 (155) STD/TSU 106.3 (2700) 83.4 (2245) 11.5 (291)	5B / 6F STD 85.2 (2165) TSU 85.2 (2165) STD 4.1 (104) TSU 59.2 (1511) STD 130 (3302) TSU 189 (4800) STD 178 (4521) TSU 237 (6020) 85.2 (2165) 44.7 (1135) 16.0 (406) STD/TSU 142.7 (3625) STD/TSU 100.7 (2538) 48.2 (1225) 1.75x4x42 (45x100x1070) Hook Type 41.0 (1041) 5.3 (135) 6.1 (155) STD/TSU 108.5 (2755) 90.6 (2300) 11.5 (291)	5B / 6F STD 85.8 (2180) TSU 85.8 (2180) STD 4.3 (109) TSU 57.7 (1466) STD 130 (3302) TSU 189 (4800) STD 178 (4521) TSU 237 (6020) 85.8 (2180) 45.3 (1151) 16.0 (406) STD/TSU 147.0 (3734) STD/TSU 105.0 (2663) 48.7 (1237) 1.75x4.8x42 (45x122x1070) Hook Type 41.0 (1041) 5.9 (150) 6.0 (155) STD/TSU 113.5 (2882) 94.7 (2405) 11.3 (287)	5B/6F STD 87 (2200) TSU 87.0 (2200) STD 4.5 (114) TSU 57.0 (1448) STD 126 (3175) TSU 182 (4620) STD 173 (4394) TSU 230 (5842) 86.4 (2195) 45.7 (1161) 16.0 (406) STD/TSU 151.0 (3835) STD/TSU 109.0 (2770) 51.8 (1315) 2.0x4.8x42 (50x122x1070) Hook Type 45.0 (1143) 6.5 (165) 6.0 (155) STD/TSU 116.3 (2955) 97.6 (2480) 11.3 (287)
12.0/12.7 (19.3/20.4) STD 110/128 (56/66) TSU 106/124 (54/63) STD 89/89 (45/45) TSU 85/85 (43/43) 5209 / 23,170 46.2 / 27.1 Drum	12.0/12.7 (19.3/20.4) STD 108/128 (55/66) TSU 104/124 (53/63) STD 89/89 (45/45) TSU 85/85 (43/43) 5348 / 23,790 40.4 / 23.8 Drum	12.7/13.3 (20.4/21.4) STD 106/128 (54/66) TSU 102/124 (52/63) STD 89/89 (45/45) TSU 85/85 (43/43) 4640 / 20,640 29.1 / 22.9 Drum	13.0/13.4 (20.9/21.6) STD 94.5/124 (48/63) TSU 90.6/120 (46/61) STD 89/89 (45/48) TSU 85/85 (43/43) 4634 / 20,613 25.8 / 17.4 Drum
Yanmar 4TNE98 61 / 46.0 @ 2300 2650 4 / 201 (3.3) Adjustable 79	Yanmar 4TNE98 61 / 46.0 @ 2300 2650 4 / 201 (3.3) Adjustable 79	Yanmar 4TNE98 61 / 46.0 @ 2300 2650 4 / 201 (3.3) Adjustable 79	Yanmar 4TNE98 61 / 46.0 @ 2300 2650 4 / 201 (3.3) Adjustable 79



& Don't Forget... **Safety Starts With You!**

Before operating a lift truck, an operator must:

- Be trained and authorized
- Read and understand operator's manual
- Not operate a faulty lift truck
- Not repair a lift truck unless trained and authorized
- Hold the overhead guard and load backrest extension in place
- Perform daily inspections

During operation, a lift truck operator must:

- Wear a seat belt
- Keep entire body inside truck cab
- Never carry passengers or lift people
- Keep truck away from people and obstructions
- Travel with lift mechanism as low as possible and tilted back
- Allow safe stopping distance and come to a complete stop before leaving operator compartment

To park a lift truck, an operator must:

- Completely lower forks or attachments
- Shift into neutral
- Turn key off
- Set parking brake

- We don't just build forklifts. As a company, we are also focused on providing our customers with the best possible technical service support and aftermarket parts available.
- Even though our business starts with a quality, cost-effective product, our organization understands that it is the support and services we provide after the sale that help keep your business running at peak efficiency.

- **THE CLARK PartsPRO® SYSTEM** is our industry-leading electronic parts and service documentation tool that provides dealers with a quick and accurate method of identifying parts for every CLARK forklift built since 1961. PartsPRO® ensures the availability of the most current technical information and has the unique capability to create parts manuals specific to your mixed CLARK fleet, making it simple to positively identify and order the correct part(s) from your local CLARK dealer. The right CLARK part — The First Time, Every Time.

- **UNRIVALED PARTS SUPPORT** Our Aftermarket Distribution Center provides parts to over 250 North American CLARK dealers and many international dealers. This CLARK operated 184,000 square foot facility is dedicated to supporting the CLARK models built over the last 90 years. This facility is focused on providing excellent off-the-shelf availability, quality parts, quick response time and competitive pricing.

DEPENDABLE PARTS = DEPENDABLE TRUCKS

To Find Your Nearest Authorized CLARK Dealer, Visit Our Website www.clarkmhc.com



BUILT TO LAST.



CLARK MATERIAL HANDLING COMPANY
North American Headquarters
700 Enterprise Drive • Lexington, KY 40510
866-252-5225 • www.clarkmhc.com

C20/25/30/32C & C20/25/30/35
59-894-0341 Printed in USA MP02115M

© 2011 CLARK Material Handling Company