



**LEXINGTON**

**Bid 33-2019**  
**Asset lighting**  
**Supplier Response**

**Event Information**

Number: Bid 33-2019  
Title: Smoke Alarms  
Type: Competitive Bid  
Issue Date: 3/21/2019  
Deadline: 4/3/2019 02:00 PM (ET)  
Notes: ONLY ONLINE BIDS WILL BE ACCEPTED FOR THIS SOLICITATION. PRICING SHOULD BE SUBMITTED ON THE LINE ITEMS TAB ONLY. PRICING WITHIN SUBMITTALS WILL NOT BE ACCEPTED AND MAY MAKE YOUR BID NON-RESPONSIVE.

**Contact Information**

Contact: Kristie Thomas  
Address: 200 East Main Street  
Central Purchasing  
Government Center Building  
Room 338  
Lexington, KY 40507  
Phone: (859) 2583320  
Fax: (859) 2583322  
Email: kthomas@lexingtonky.gov

## Asset lighting Information

Address: 137 Thorndike Ave  
Lakewood, NJ 08701  
Phone: (732) 942-7738

By submitting your response, you certify that you are authorized to represent and bind your company and that you agree to all bid terms and conditions as stated in the attached bid/RFP/RFQ/Quote/Auction documents.

David Klein  
Signature

assetlighting@verizon.net  
Email

Submitted at 4/2/2019 8:57:29 AM

## Response Attachments

### SA3210.pdf

Item # 2 Specs

### RequiredDocument.pdf

Required Documents

## Bid Lines

<b>1</b>	AC Powered Smoke Alarm	Quantity: <u>  1  </u> UOM: <u> Each </u>	Unit Price: <input type="text" value="\$9.22"/>	Total: <input type="text" value="\$9.22"/>
Supplier Notes: <input type="text" value="First Alert # SA9120BPCN As Specified"/>				
<b>2</b>	Battery Powered Smoke Alarm	Quantity: <u>  1  </u> UOM: <u> Each </u>	Unit Price: <input type="text" value="\$28.35"/>	Total: <input type="text" value="\$28.35"/>
Supplier Notes: <input type="text" value="First Alert # SA3210 - A real Combo ionization and photoelectric alarm with a lithium battery"/>				
<b>Alternate 1</b>				
<u>MI3050SB - Not a true ionization and photoelectric Alarm!</u>				
		Quantity: <u>  1  </u> UOM: <u> Each </u>	Unit Price: <input type="text" value="\$12.00"/>	Total: <input type="text" value="\$12.00"/>

**Response Total: \$37.57**

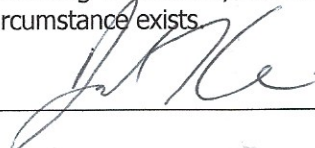
*This Affidavit must be completed before your firm can be considered for award of this contract.*

**AFFIDAVIT**

Comes the Affiant, David Klein, and after being first duly sworn under penalty of perjury as follows:

1. His/her name is David Klein and he/she is the individual submitting the bid or is the authorized representative of Asset Lighting & Electric Inc. the entity submitting the bid (hereinafter referred to as "Bidder")
2. Bidder will pay all taxes and fees, which are owed to the Lexington-Fayette Urban County Government at the time the bid is submitted, prior to award of the contract and will maintain a "current" status in regard to those taxes and fees during the life of the contract.
3. Bidder will obtain a Lexington-Fayette Urban County Government business license, if applicable, prior to award of the contract.
4. Bidder has authorized the Division of Central Purchasing to verify the above-mentioned information with the Division of Revenue and to disclose to the Urban County Council that taxes and/or fees are delinquent or that a business license has not been obtained.
5. Bidder has not knowingly violated any provision of the campaign finance laws of the Commonwealth of Kentucky within the past five (5) years and the award of a contract to the Bidder will not violate any provision of the campaign finance laws of the Commonwealth.
6. Bidder has not knowingly violated any provision of Chapter 25 of the Lexington-Fayette Urban County Government Code of Ordinances, known as "Ethics Act."
7. Bidder acknowledges that "knowingly" for purposes of this Affidavit means, with respect to conduct or to circumstances described by a statute or ordinance defining an offense, that a person is aware or should have been aware that his conduct is of that nature or that the circumstance exists.

Further, Affiant sayeth naught.



STATE OF

New Jersey

COUNTY OF

Ocean

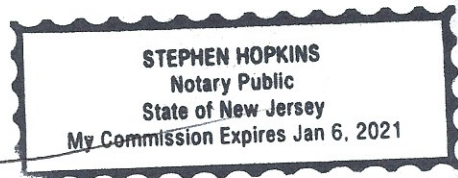
The foregoing instrument was subscribed, sworn to and acknowledged before me

by Stephen Hopkins on this the 2 day  
of April, 2011.

My Commission expires: \_\_\_\_\_



NOTARY PUBLIC, STATE AT LARGE



**Please refer to Section II, Bid Conditions, Item "U" prior to completing this form.**

**LFUCG STATEMENT OF GOOD FAITH EFFORTS**

Bid/RFP/Quote # 33-2019-SMOKE HAVES

By the signature below of an authorized company representative, we certify that we have utilized the following Good Faith Efforts to obtain the maximum participation by MWDBE and Veteran-Owned business enterprises on the project and can supply the appropriate documentation.

\_\_\_\_\_ Advertised opportunities to participate in the contract in at least two (2) publications of general circulation media; trade and professional association publications; small and minority business or trade publications; and publications or trades targeting minority, women and disadvantaged businesses not less than fifteen (15) days prior to the deadline for submission of bids to allow MWDBE firms and Veteran-Owned businesses to participate.

\_\_\_\_\_ Included documentation of advertising in the above publications with the bidders good faith efforts package

\_\_\_\_\_ Attended LFUCG Central Purchasing Economic Inclusion Outreach event

\_\_\_\_\_ Attended pre-bid meetings that were scheduled by LFUCG to inform MWDBEs and/or Veteran-Owned Businesses of subcontracting opportunities

\_\_\_\_\_ Sponsored Economic Inclusion event to provide networking opportunities for prime contractors and MWDBE firms and Veteran-Owned businesses

Requested a list of MWDBE and/or Veteran subcontractors or suppliers from LFUCG and showed evidence of contacting the companies on the list(s).

\_\_\_\_\_ Contacted organizations that work with MWDBE companies for assistance in finding certified MWBDE firms and Veteran-Owned businesses to work on this project. Those contacted and their responses should be a part of the bidder's good faith efforts documentation.

\_\_\_\_\_ Sent written notices, by certified mail, email or facsimile, to qualified, certified MWDBEs soliciting their participation in the contract not less than seven (7) days prior to the deadline for submission of bids to allow them to participate effectively.

\_\_\_\_\_ Followed up initial solicitations by contacting MWDBEs and Veteran-Owned businesses to determine their level of interest.

Provided the interested MWBDE firm and/or Veteran-Owned business with adequate and timely information about the plans, specifications, and requirements of the contract.

\_\_\_\_\_ Selected portions of the work to be performed by MWDBE firms and/or Veteran-Owned businesses in order to increase the likelihood of meeting the contract goals. This includes, where appropriate, breaking out contract work items into economically feasible units to facilitate MWDBE and Veteran participation, even when the prime contractor may otherwise perform these work items with its own workforce

\_\_\_\_\_ Negotiated in good faith with interested MWDBE firms and Veteran-Owned businesses not rejecting them as unqualified without sound reasons based on a thorough investigation of their capabilities. Any rejection should be so noted in writing with a description as to why an agreement could not be reached.

✓  
\_\_\_\_\_ Included documentation of quotations received from interested MWDBE firms and Veteran-Owned businesses which were not used due to uncompetitive pricing or were rejected as unacceptable and/or copies of responses from firms indicating that they would not be submitting a bid.

\_\_\_\_\_ Bidder has to submit sound reasons why the quotations were considered unacceptable. The fact that the bidder has the ability and/or desire to perform the contract work with its own forces will not be considered a sound reason for rejecting a MWDBE and/or Veteran-Owned business's quote. Nothing in this provision shall be construed to require the bidder to accept unreasonable quotes in order to satisfy MWDBE and Veteran goals.

\_\_\_\_\_ Made an effort to offer assistance to or refer interested MWDBE firms and Veteran-Owned businesses to obtain the necessary equipment, supplies, materials, insurance and/or bonding to satisfy the work requirements of the bid proposal

\_\_\_\_\_ Made efforts to expand the search for MWBE firms and Veteran-Owned businesses beyond the usual geographic boundaries.

\_\_\_\_\_ Other--any other evidence that the bidder submits which may show that the bidder has made reasonable good faith efforts to include MWDBE and Veteran participation.

**NOTE: Failure to submit any of the documentation requested in this section may be cause for rejection of bid. Bidders may include any other documentation deemed relevant to this requirement which is subject to approval by the MBE Liaison. Documentation of Good Faith Efforts must be submitted with the Bid, if the participation Goal is not met.**

The undersigned acknowledges that all information is accurate. Any misrepresentations may result in termination of the contract and/or be subject to applicable Federal and State laws concerning false statements and claims.

Asser Lightings Electric Co

Company

4/2/19

Date

Joel Klein

Company Representative

VP

Title

## Asset Lighting Electric Inc

---

**From:** Sherita Miller [smiller@lexingtonky.gov]  
**Sent:** Friday, March 29, 2019 8:35 AM  
**To:** Asset Lighting & Electric Inc  
**Subject:** RE: MBE/WBE Subcontractors  
**Attachments:** LFUCG Certified List\_ February 2019.xlsx

Good morning David,

Attached is a copy of LFUCG's certified list of minority, women and veteran owned businesses.

I recommend you contact the following companies below to see if they have smoke alarms.

Public Safety Consultants & Associates, William Swope, [publicsafetyconsultants59@gmail.com](mailto:publicsafetyconsultants59@gmail.com) or at 859-321-1781

Yoshis Industrial Packaging Supply, LLC, Beverly Foster, [beverly.foster@yohissupply.com](mailto:beverly.foster@yohissupply.com) or at 270-681-4817

Thanks, Sherita

**Sherita Miller**  
Minority Business Enterprise Liaison  
Central Purchasing

859.258.3323 office  
[lexingtonky.gov](http://lexingtonky.gov)



Sent email to both recommend  
vendors and did not receive a reply

---

**From:** Asset Lighting & Electric Inc <[assetlighting@verizon.net](mailto:assetlighting@verizon.net)>  
**Sent:** Thursday, March 28, 2019 11:12 AM  
**To:** Sherita Miller <[smiller@lexingtonky.gov](mailto:smiller@lexingtonky.gov)>  
**Subject:** MBE/WBE Subcontractors  
**Importance:** High

[EXTERNAL] Use caution before clicking links and/or opening attachments.

Sherita,

Please forward a list of MBE/WBE Subcontractors that I can utilize to meet the 10% participation goal in order to bid on Bid 33-2019 that is due April 3, 2019.

I would need a vendor that can supply the requested items - smoke alarms.

Thank you,

*David Klein*

Asset Lighting & Electric Inc  
137 Thorndike Ave  
Lakewood NJ 08701

T - 732-942-7738  
F - 732-942-7758

## Asset Lighting Electric Inc

---

**From:** David Klein [kleindavid@assetlighting.com]  
**Sent:** Friday, March 29, 2019 10:12 AM  
**To:** 'beverly.foster@yoshissupply.com'  
**Subject:** Smoke Alarms

<b>Tracking:</b>	<b>Recipient</b>	<b>Read</b>
	'beverly.foster@yoshissupply.com'	Read: 3/29/2019 10:41 AM

Hi,

I'm looking for a WBE business that can supply me with smoke alarms.  
I'm looking to purchase 200 units of First Alert # SA9120BPCN, Do you sell this product?

Thank you,

*David Klein*

Asset Lighting & Electric Inc  
137 Thorndike Ave  
Lakewood NJ 08701

T - 732-942-7738  
F - 732-942-7758  
E - [kleindavid@assetlighting.com](mailto:kleindavid@assetlighting.com)

Did Not receive a reply!





**Asset Lighting Electric Inc**

---

**From:** David Klein [kleindavid@assetlighting.com]  
**Sent:** Friday, March 29, 2019 10:14 AM  
**To:** 'publicsafetyconsultants59@gmail.com'  
**Subject:** Smoke Alarms

Hi,

I'm looking for a M/WBE business that can supply me with smoke alarms.  
I'm looking to purchase 200 units of First Alert # SA9120BPCN, Do you sell this product?

Thank you,

*David Klein*


Asset Lighting & Electric Inc  
137 Thorndike Ave  
Lakewood NJ 08701

T - 732-942-7738

F - 732-942-7758

E - [kleindavid@assetlighting.com](mailto:kleindavid@assetlighting.com)

*Did Not receive a reply!*



## Asset Lighting Electric Inc

---

**From:** First Due Gear [firstduegear@yahoo.com]  
**Sent:** Friday, March 29, 2019 11:03 AM  
**To:** David Klein  
**Subject:** Re: Smoke Alarms  
**Attachments:** spec\_9120.pdf

Hey David,

I'm not sure about that exact model#, but we do sell the #9120B series of alarms. I've attached a spec sheet for reference.

Your cost would be \$28.90 each for that quantity, plus shipping and tax.

Let me know if we can help you out. Thanks!

Jarrold

Review us on [YELP!](#)

*First Due Gear LLC- SWAM #657198*  
2111 Apperson Drive  
Salem, VA. 24153

M-F 10-4p, 4-5p by appt please call or email us!  
phone 540-725-8850/fax 540-725-1333  
email: [firstduegear@yahoo.com](mailto:firstduegear@yahoo.com)

[www.firstduegear.com](http://www.firstduegear.com)

[Facebook](#)

[Pinterest](#)

[Twitter](#)

*Price triple price we  
are off by in our bid!*

On Friday, March 29, 2019, 10:13:11 AM EDT, David Klein <[kleindavid@assetlighting.com](mailto:kleindavid@assetlighting.com)> wrote:

Hi,

I'm looking for a WBE business that can supply me with smoke alarms.

I'm looking to purchase 200 units of First Alert # SA9120BPCN, Do you sell this product?

Thank you,

*David Klein*

### WORKFORCE ANALYSIS FORM

Name of Organization: Asset Lightly & Electric Co

Categories	Total	White (Not Hispanic or Latino)		Hispanic or Latino		Black or African-American (Not Hispanic or Latino)		Native Hawaiian and Other Pacific Islander (Not Hispanic or Latino)		Asian (Not Hispanic or Latino)		American Indian or Alaskan Native (not Hispanic or Latino)		Two or more races (Not Hispanic or Latino)		Total	
		M	F	M	F	M	F	M	F	M	F	M	F	M	F	M	F
Administrators		1	1														
Professionals																	
Superintendents																	
Supervisors																	
Foremen																	
Technicians																	
Protective Service																	
Para-Professionals																	
Office/Clerical																	
Skilled Craft																	
Service/Maintenan																	
<b>Total:</b>																	

Prepared by: David Klein VP  
 (Name and Title)

Date: 4/2/19

# SMOKE ALARM

10-YEAR SEALED  
PHOTO & ION

CAT. **SA3210**



## 10-YEAR LITHIUM POWER

10 years of continuous protection under normal operating conditions. No battery change required. Provides audible notice when alarm has reached its end of life.

## TAMPERPROOF SEALED ALARM

Powercell cannot be removed.

## PHOTO/ION SENSORS

Dual Photoelectric & Ionization sensing technologies for optimal sensing of smoke particles produced in both flaming and smoldering fires.

## SILENCE FEATURE

Silences nuisance alarms.

## TAMPER RESISTANT

Locks alarm to mounting bracket. Perfect for apartment, dormitory or hotel applications.

# BRK<sup>®</sup>

**THE PROFESSIONAL STANDARD**

## Sealed 3V Lithium Power

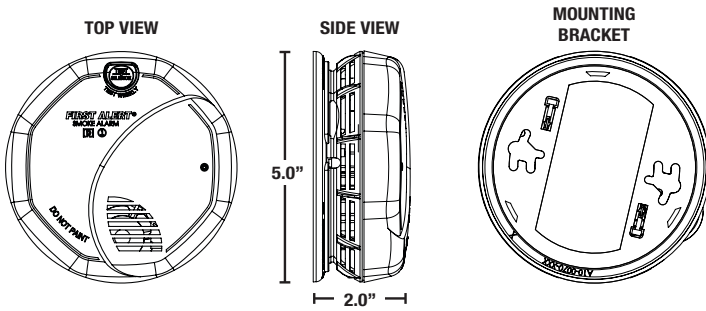
### Description:

The BRK Model No. SA3210 is a sealed 3V lithium power single station photoelectric and ionization dual sensor smoke alarm specifically designed for residential and institutional applications including sleeping rooms of hospitals, hotels, motels, dormitories and other multi-family dwellings as defined in standard NFPA 101. Model SA3210 complies with UL217, CSFM, NFPA 72, HUD, FHA and other agencies that model their codes after the above agencies. It meets building codes where tamperproof 10-year sealed lithium photoelectric and ionization combination smoke alarms are required.

The BRK SA3210 is a state-of-the-art battery powered smoke alarm that features both photoelectric and ionization smoke sensing technologies, a sealed 10-year lithium power cell that is permanently installed, a full function test switch, a silence feature to silence unwanted nuisance alarms, a LED light that indicates DC power or alarm. The low power warning indicator will cause the alarm to "chirp" when it reaches the end of its service life and needs to be replaced. Upon end of life, the unit meets UL requirements for disabling the alarm and non-reinstallation of unit to mounting bracket. It also features a tamper resistant locking pin that locks alarm to the mounting bracket to prevent removal of alarm. Perfect for apartment, dormitory or hotel applications. Designed for wall or ceiling mounting. Includes mounting anchors and screws. Installation is quick, easy and cost effective.



# CAT. SA3210



## TECHNICAL SPECS

Alarm Dimensions:	5.0" Dia. x 2.0"H
Weight:	8.4 oz
Operating Voltage:	3V Lithium Power Cell
Temperature Range:	40°F (4°C) to 100°F (38°C)
Humidity Range:	10% to 95% relative humidity (RH)
Audio Alarm:	85dB at 10 feet
Test/Silence:	Electronically simulates smoke condition, causing the unit to alarm. Press and hold test/silence button.
Alarm Reset:	Automatic when smoke clears
Smoke Sensors:	Photoelectric & Ionization
Listing:	Listed to UL217 Standard

## ARCHITECTURAL AND ENGINEERING SPEC

The smoke alarm shall be a BRK/First Alert Model SA3210 and shall provide at a minimum the following features and functions:

- Two separate smoke sensing chambers - photoelectric and ionization.
- The unit shall be capable of self restoring.
- A fully screened sensing chambers to resist entry of small insects thereby reducing the probability of unwanted alarms.
- Powered by a sealed 10-year lithium powercell with a tamperproof design. The tamperproof design shall not allow the powercell to be removed. A low power warning indicator shall cause the alarm to "chirp" when it reaches the end of its service life and needs to be replaced. Upon end of life, the unit shall meet UL requirements for disabling the alarm and the non-reinstallation of unit to mounting bracket.
- A visual LED power-on indicator to confirm unit is receiving power or is in alarm.
- A full function test button. The test button should check all alarm functions by stimulating the chamber to simulate a smoke condition, causing the unit to alarm. The unit should also have a silence feature to silence unwanted nuisance alarms.
- A tamper resistant locking pin that locks alarm to the mounting bracket to prevent removal of alarm.
- The unit shall be capable of operating between 40°F (4°C) and 100°F (38°C) and relative humidity between 10% and 95%.
- The unit shall contain mounting hardware and shall be listed for wall or ceiling mounting.
- The unit shall at a minimum meet the requirements of UL217, CSFM, HUD, NFPA 72, NFPA 101, ICC.

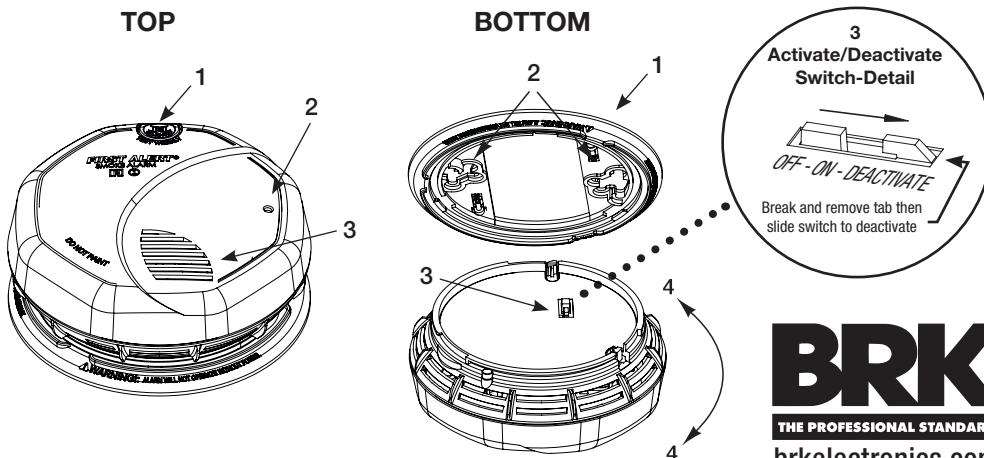
## SHIPPING SPECS

Individual Clamshell Dimensions	6.87"W x 2.5"D x 8.5"H
Weight	0.66 lbs.
Cube	0.08 ft3
UPC	0 29054 01466 5
Master Carton Dimensions	7.75"L x 7.13"W x 9.00"H
Master Pack	3
Weight	2.34 lbs.
Cube:	0.29 ft3
I2of5:	300 29054 01466 6
Pallet Information	
Cases per Layer	30
Number of Layers:	5
Cases per Pallet:	150
Units per Pallet:	450
Cube:	54 ft3
Weight:	416 lbs.

## INSTALLATION OF ALARM

Installation of this alarm must conform to NFPA 72 and NFPA 720. Always check your local building codes. Follow all instructions for placement as outlined in the user's manual in sections titled "Recommended Locations for Smoke Alarms" and "Locations to Avoid for Smoke Alarms".

### THE PARTS OF THIS ALARM



#### TOP OF ALARM

- Test/Silence button
- Power/Alarm LED
- Horn

#### BOTTOM OF ALARM

- Mounting bracket
- Mounting Slots & Locking tabs (Break out Tab)
- Activate/Deactivate Switch
- Twist to attach and remove alarm from bracket

**BRK**<sup>®</sup>  
THE PROFESSIONAL STANDARD  
brkelectronics.com

©2015 BRK Brands, Inc. a Jarden Corporation  
Company (NYSE: JAH)  
3901 Liberty Street Road  
Aurora, IL 60504-8122  
All rights reserved

First Alert is a registered trademark of the First Alert Trust  
BRK is a registered trademark of BRK Brands, Inc.  
CM3253