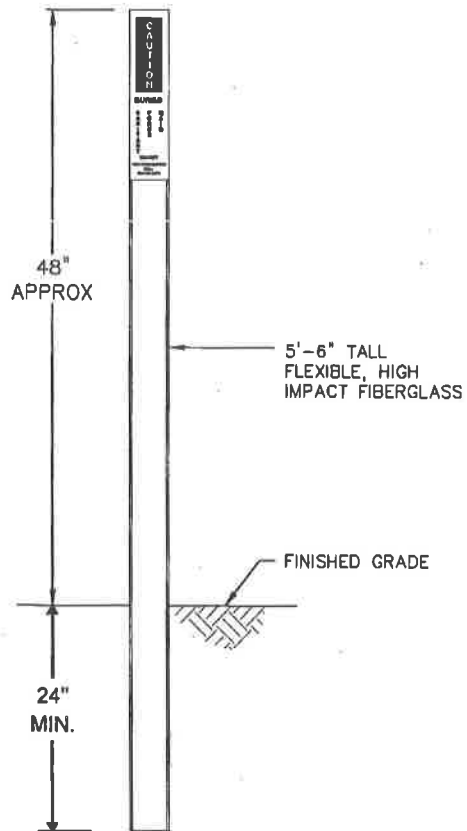


MANUAL AIR RELEASE
ASSEMBLY

1/1/09



BROWN

CAUTION

REFLECTIVE WHITE

BURIED

SANITARY FORCE MAIN

**NEARBY
FOR INFORMATION
CALL
859-425-2255**

17 1/4"

3.5" - 4"

**FIBERGLASS FORCE MAIN
LINE MARKER**

